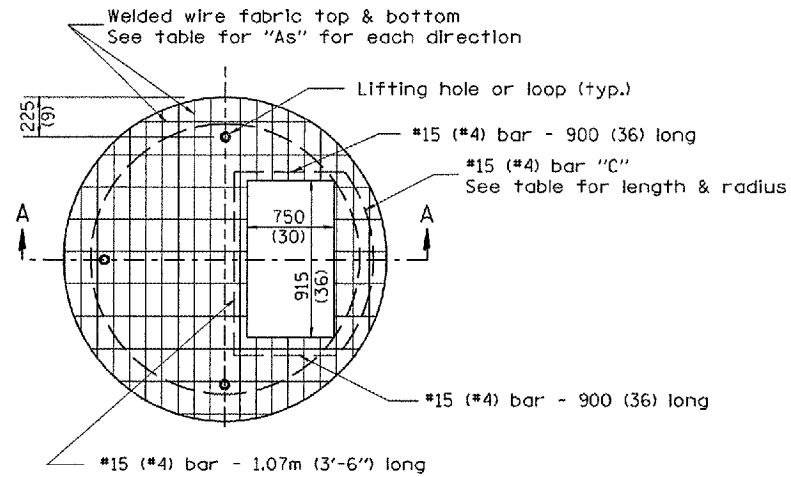
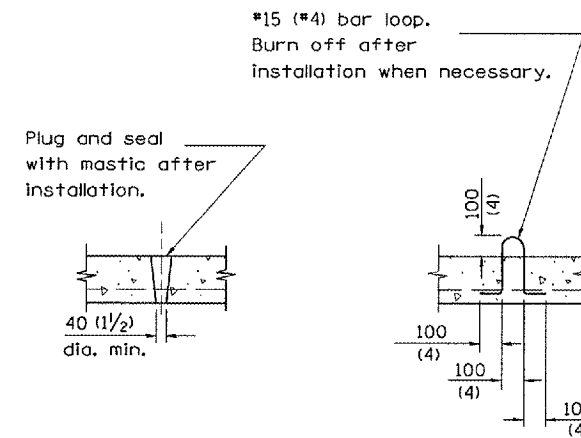


F.A.U. RTE.	SECTION	COUNTY	TOTAL SHEETS	SHEET NO.
6711	00-00164-00-SP	TAZEWELL	80	64
STA.		TO STA.		
FED. ROAD DIST. NO.		ILLINOIS FED. AID PROJECT		



PLAN

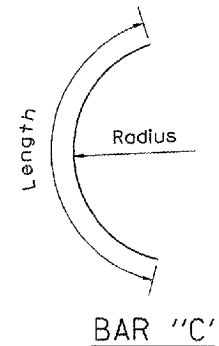


LIFTING HOLE OR LIFTING LOOP  
TYPICAL

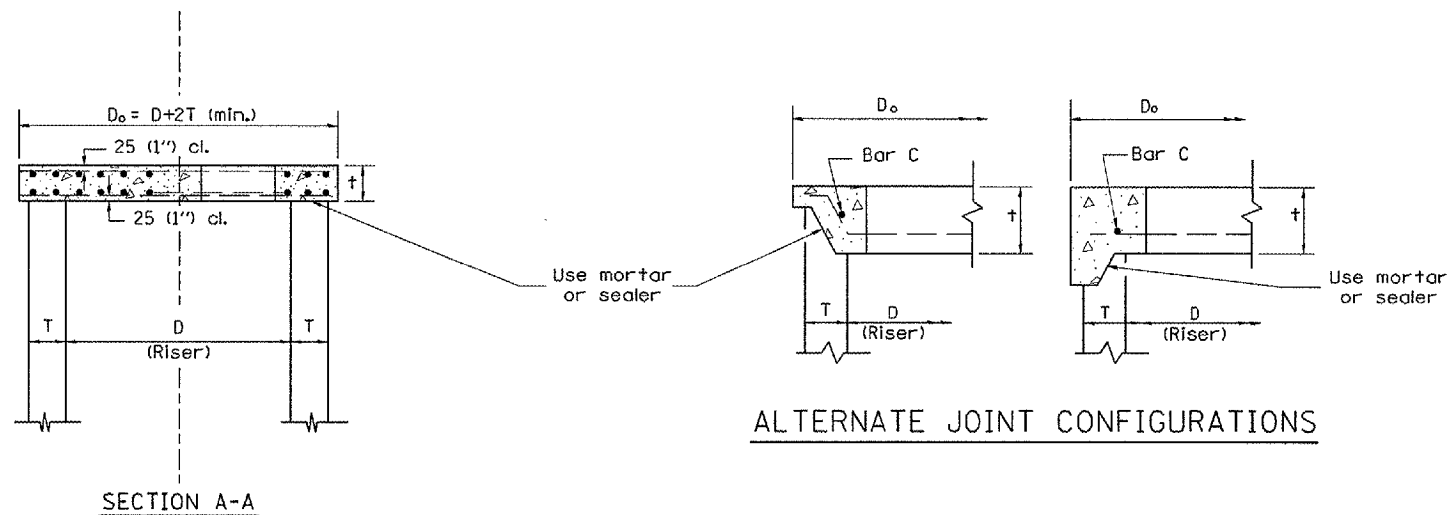
(3 required per slab)

TABLE

D	T	D <sub>o</sub> (min.)	t	Reinforcement "As" W.W.F. each direction	Bar size	No. 15 (No. 4) Bar C	
						Length	Radius
1.2m (4')	125 (5)	1.5m (4'-10")	150 (6)	1480mm <sup>2</sup> /m (0.70 sq. inch/lin. ft.)	No. 15 (No. 5)	1.35m (4'-6")	660 (26)
1.5m (5')	150 (6)	1.8m (6'-0")	200 (8)	1480mm <sup>2</sup> /m (0.70 sq. inch/lin. ft.)	No. 15 (No. 5)	1.5m (5'-0")	810 (32)
1.8m (6')	195 (7 3/4)	2.2m (7'-3 1/2")	200 (8)	1860mm <sup>2</sup> /m (0.88 sq. inch/lin. ft.)	No. 20 (No. 6)	1.8m (6'-0")	965 (38)
2.4m (8')	225 (9)	2.9m (9'-6")	250 (10)	1860mm <sup>2</sup> /m (0.88 sq. inch/lin. ft.)	No. 20 (No. 6)	2.3m (7'-6")	1.27m (4'-2")



BAR "C"



GENERAL NOTES

1. The precast reinforced concrete flat slab top shall be used with INLET-MANHOLE, TYPE G-1 and INLET-MANHOLE, TYPE G-1, SPECIAL.
2. Joint configuration and dimensions of flat slab top shall match and fit the riser joint detail.
3. Lifting devices shall be approved by the Engineer.

All dimensions are in millimeters (inches) unless otherwise noted.

