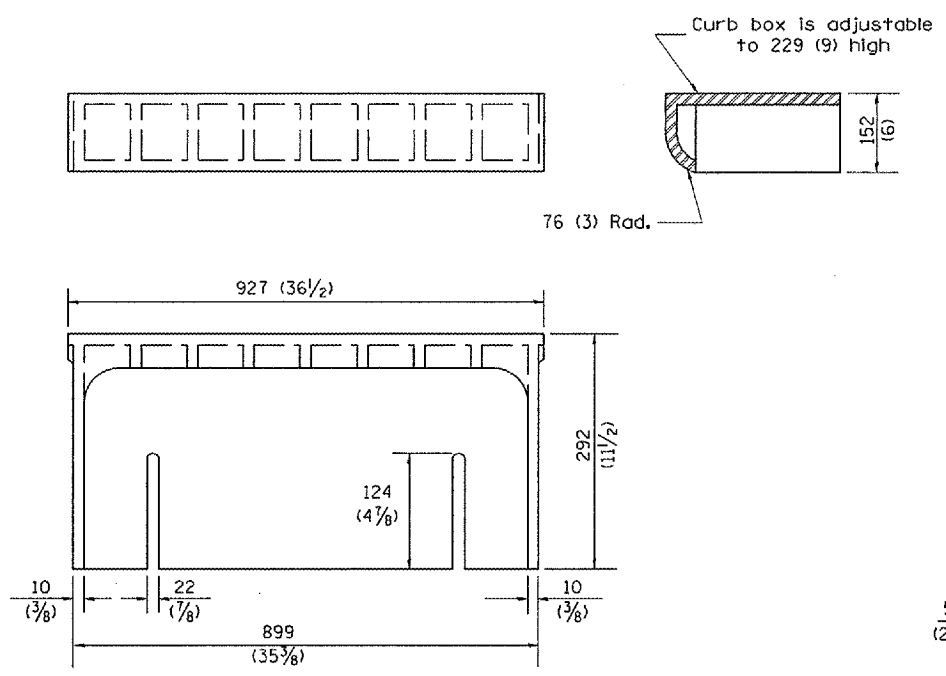
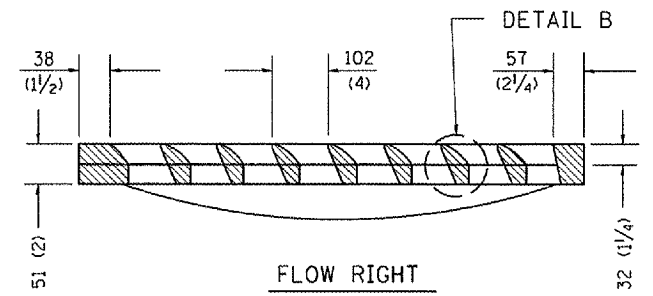
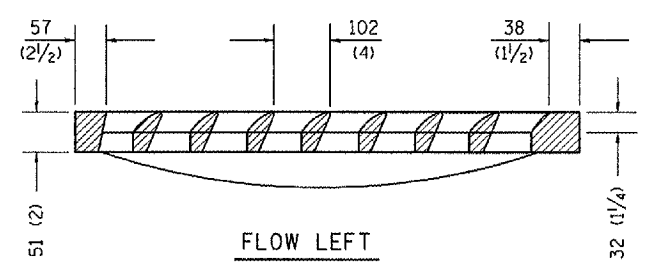
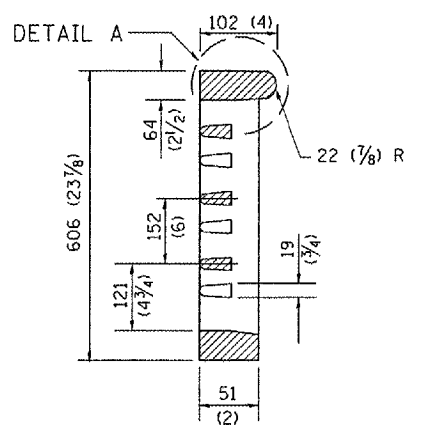
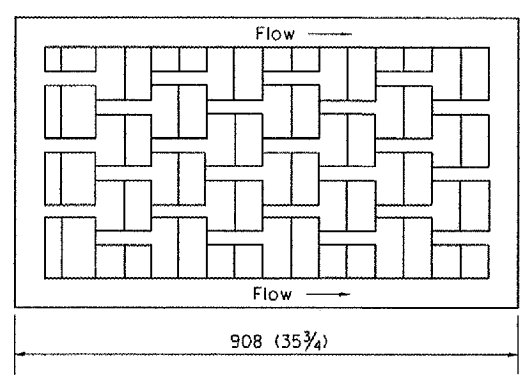
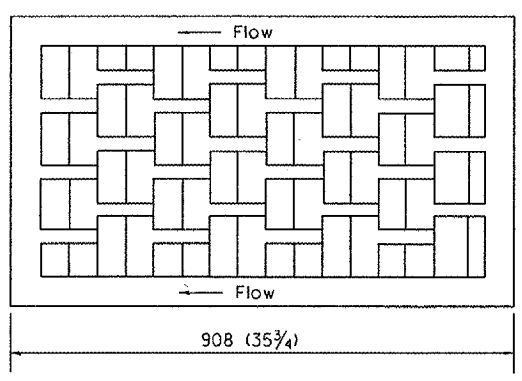


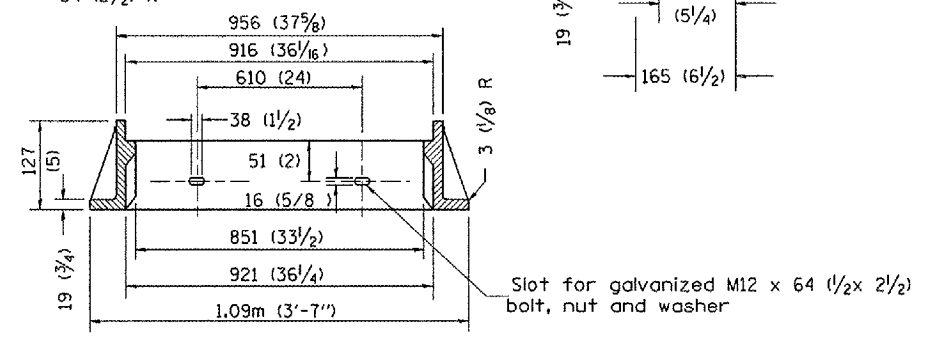
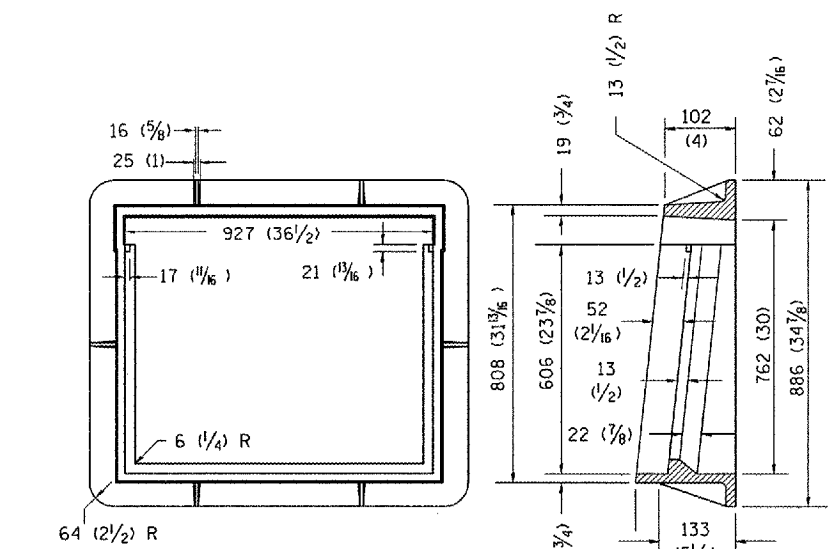
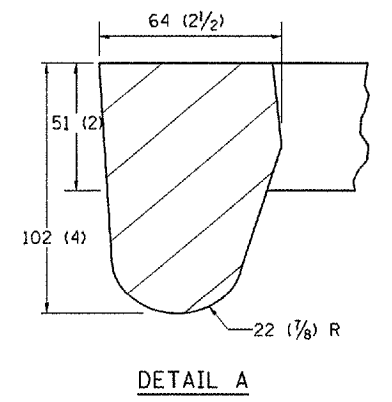
F.A.U. RTE.	SECTION	COUNTY	TOTAL SHEETS	SHEET NO.
6711	00-00164-00-SP	TAZEWELL	80	65
STA.		TO STA.		
FED. ROAD DIST. NO.		ILLINOIS FED. AID PROJECT		



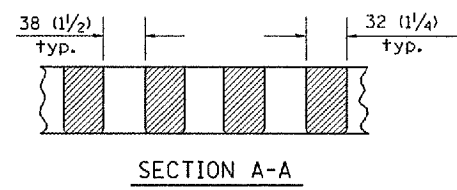
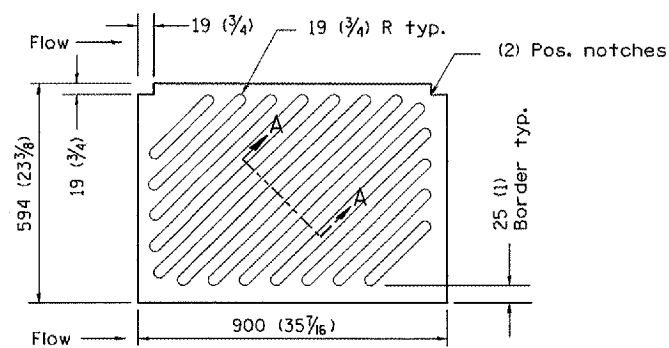
**CAST CURB BOX**  
50 kg (110 lbs.)



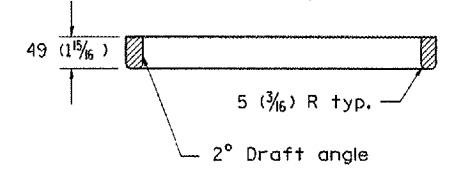
**CAST VANE GRATES**  
(SPECIFY LEFT OR RIGHT FLOW)  
104 KG (230 lbs.)



**CAST FRAME**  
123 kg (271 lbs.)



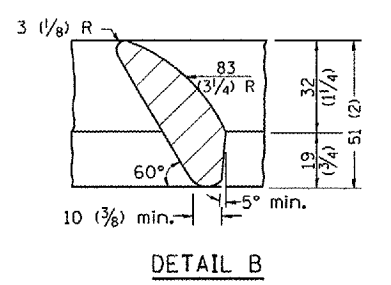
NOTE: Flow right shown



**CAST DIAGONAL GRATE**  
(Reversible for flow)  
98 kg (217 lbs.)

**GENERAL NOTES**

1. The frame and grate shown on this drawing are for use with all TYPE G-1 and TYPE G-1, SPECIAL DRAINAGE STRUCTURES. See plans for grate type and flow direction.
2. Flow direction: As viewed from street side.
3. Material: cast gray iron.



All dimensions are in millimeters (inches) unless otherwise noted.

