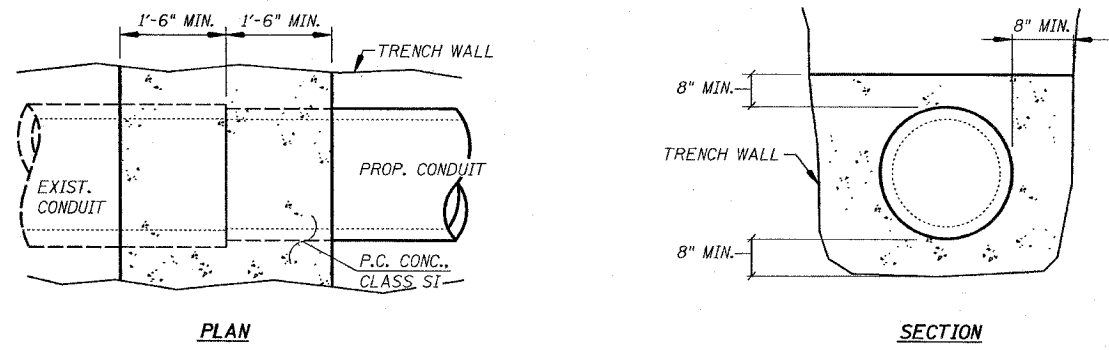
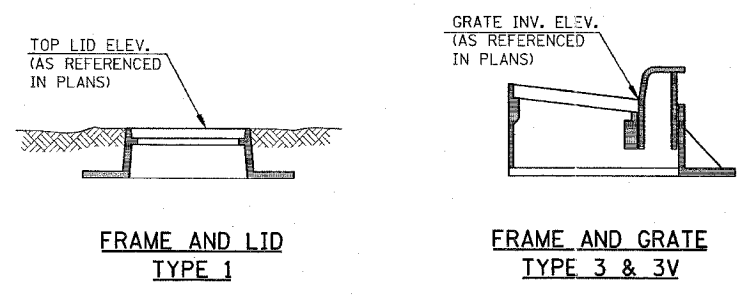


F.A.U. RY.	SECTION	COUNTY	TOTAL SHEETS	SHEET NO.
8419	99-00048-01-PV	FAYETTE	142	57
STA.		TO STA.		
FED. ROAD DIST. NO.		ILLINOIS FED. AID PROJECT		
CONTRACT NO. 95500				

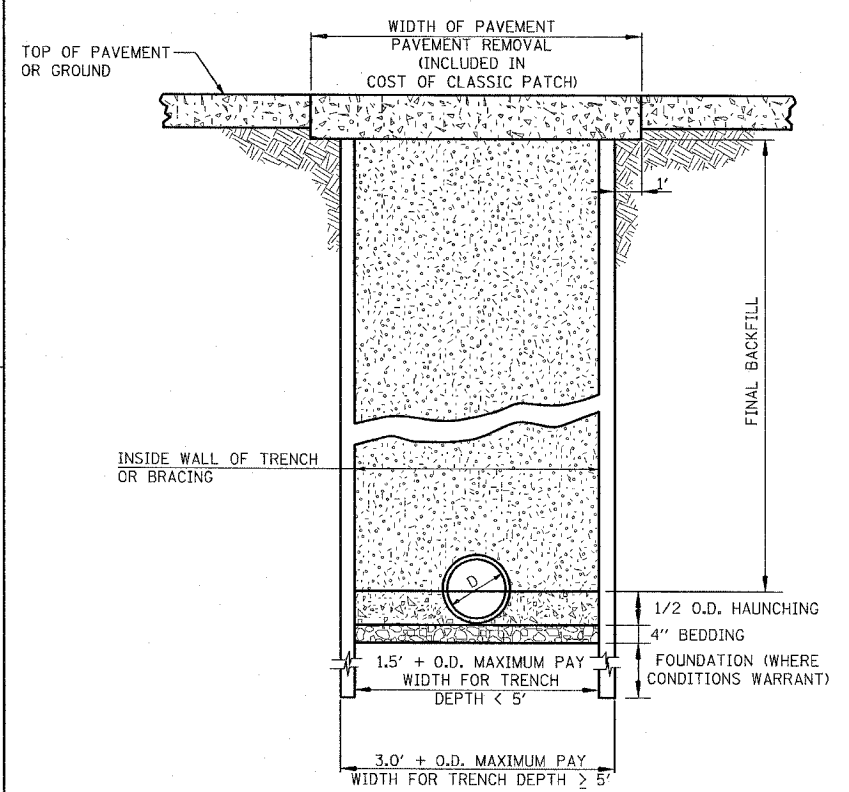


**CONCRETE COLLAR DETAILS**



**TYPICAL LID/GRATE ELEVATION REFERENCE DETAIL**

NOTE: ALL MANHOLE/INLET RELATED STATION/OFFSET CALLOUTS ARE REFERENCED TO THE CENTER OF GRATE OR LID (2' OPENING) ON TOP.

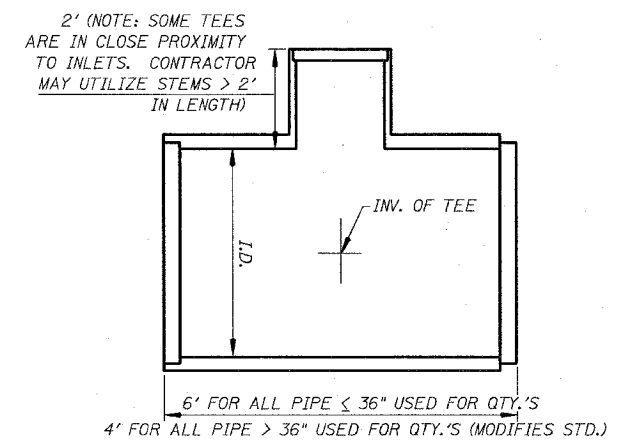


**TRENCHING DETAIL**

**BEDDING**  
CA 15, CA-16, CM-15, OR CM-16 REQUIRED IN ALL LOCATIONS (INCLUDED IN THE COST OF PIPE)

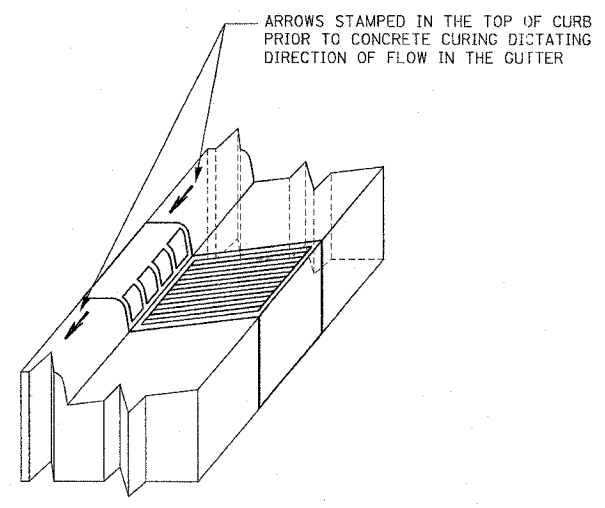
**HAUNCHING**  
CA 15, CA-16, CM-15, OR CM-16 REQUIRED IN ALL LOCATIONS (INCLUDED IN THE COST OF PIPE)

**FINAL BACKFILL**  
CA 7 REQUIRED IN ALL LOCATIONS WHERE THE EDGE OF THE TRENCH IS LOCATED WITHIN TWO (2) FEET OF A PERMANENT SURFACE, INCLUDING DRIVEWAYS AND SIDEWALK AND IN ALL LOCATIONS WHERE EXISTING MAINS AND APPURTENANCES ARE TO BE REMOVED.  
CA 7 PAID FOR AS TRENCH BACKFILL, SPECIAL.  
CASE I BACKFILL FREE FROM ORGANICS AT ALL OTHER LOCATIONS (INCLUDED IN THE COST OF PIPE)

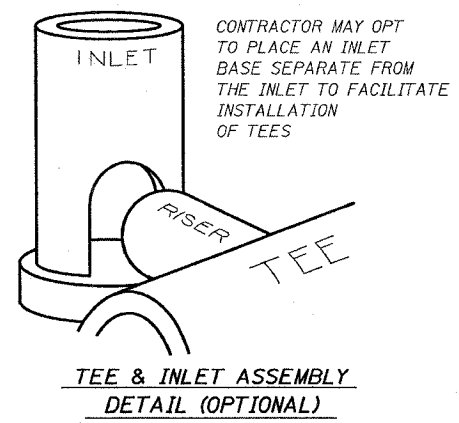


**REINFORCED CONCRETE PIPE TEE DETAIL**

(SEE ALSO STANDARD 542606. NO ADDS OR DEDUCTS WILL BE MADE FOR DIFFERENT PIPE RUN LENGTHS IF THE CONTRATOR UTILIZES TEE DIMENSIONS DIFFERENT FROM THIS DETAIL)

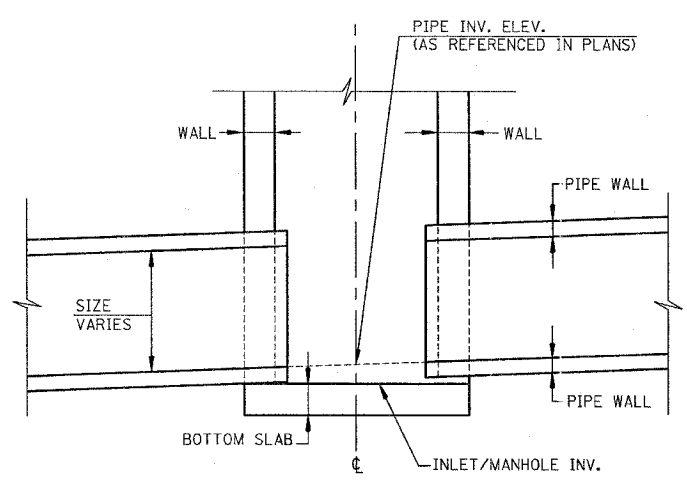


**VANE GRATE CURB FLOW ARROW DETAIL**



**TEE & INLET ASSEMBLY DETAIL (OPTIONAL)**

**STORM SEWER DETAILS**



**TYPICAL INLET/MANHOLE ELEVATION REFERENCE DETAIL**

REVISIONS	
NAME	DATE

ILLINOIS DEPARTMENT OF TRANSPORTATION

**STORM SEWER DETAILS**

SCALE: VERT. HORIZ. DATE DRAWN BY KOJ E.D.W. CHECKED BY BWC

CADD FILE: 14812/SS-detailed.dgn PLOTTED: 3/5/2007

H.M. & G. NO. 4912