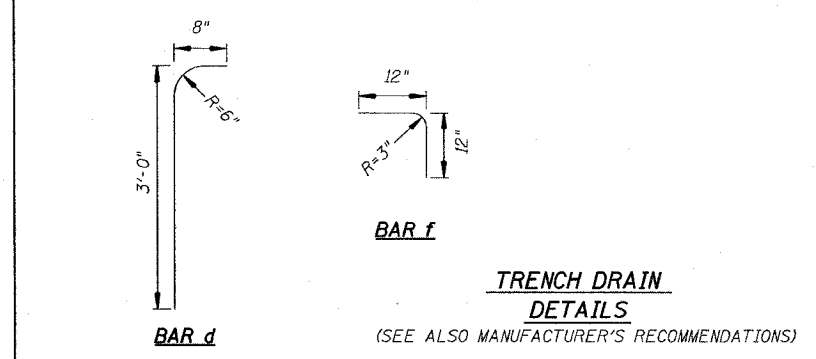
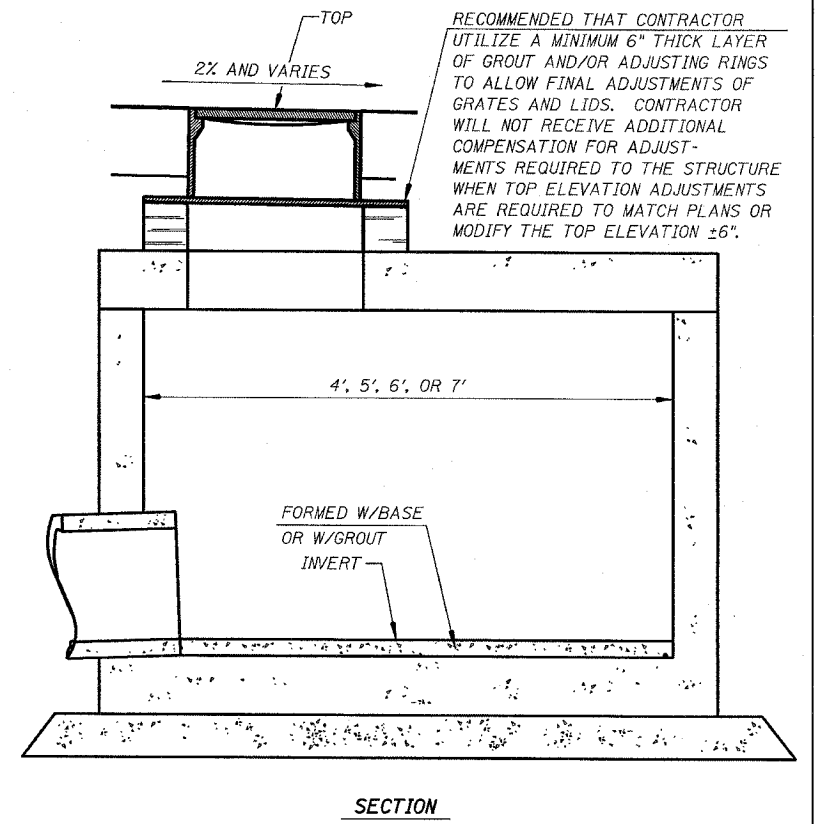
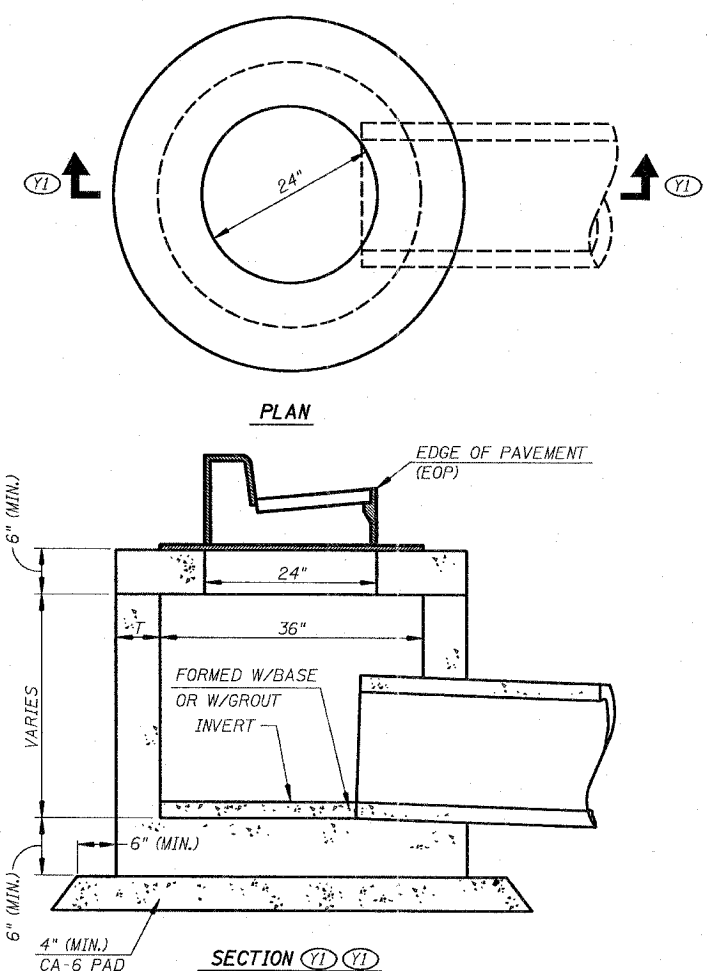
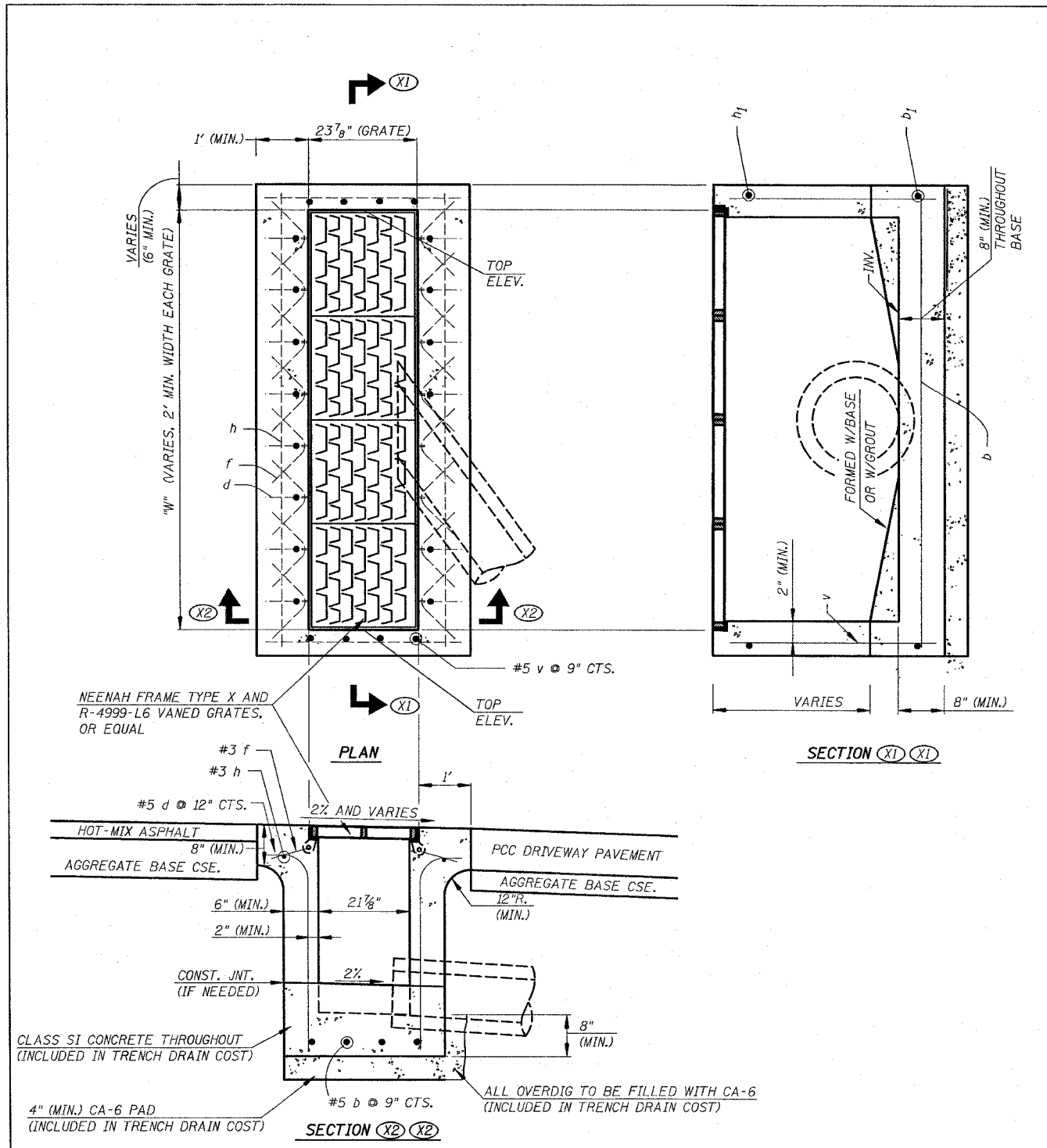


F.A.M. RTE.	SECTION	COUNTY	TOTAL SHEET NO.
8419	99-00048-01-PV	FAYETTE	142
STA.	TO STA.		
FED. ROAD DIST. NO.	ILLINOIS	FED. AID PROJECT	
CONTRACT NO. 95500			



BILL OF MATERIAL

BAR NO.	SIZE	LENGTH	SHAPE
b	#5	8'-8"	—
b1	#5	2'-8"	—
d	#5	3'-6"	—
f	#3	1'-11"	—
h	#3	8'-2"	—
h1	#3	3'-8"	—
v	#5	3'-2"	—
REINFORCEMENT BARS			POUND 141

NOTES:
 COST OF REINFORCEMENT BARS TO BE INCLUDED IN COST OF TRENCH BOX.
 WIRE TIE ALL BAR CROSSINGS.

INLET, TYPE B DETAILS
 (CONTRACTOR MAY OPT TO USE THIS DETAIL TO MODIFY STANDARD 602306 OR STANDARD 602306 ITSELF, WHEN THE DEPTH IS ADEQUATE FOR A CORBEL)

RESTRICTED DEPTH MANHOLE DETAILS
 (SEE ALSO APPLICABLE SECTIONS OF SECTION 602 OF THE STANDARD SPECIFICATIONS)

REVISIONS	
NAME	DATE

ILLINOIS DEPARTMENT OF TRANSPORTATION

STORM SEWER DETAILS

SCALE: VERT. _____
 HORIZ. _____
 DATE _____

DRAWN BY KOJ
 CHECKED BY BWC

CADD FILE: 4812/ss-dev011_02.dgn
 PLOTTED: 3/5/2007

H.M. & G. NO. 4812