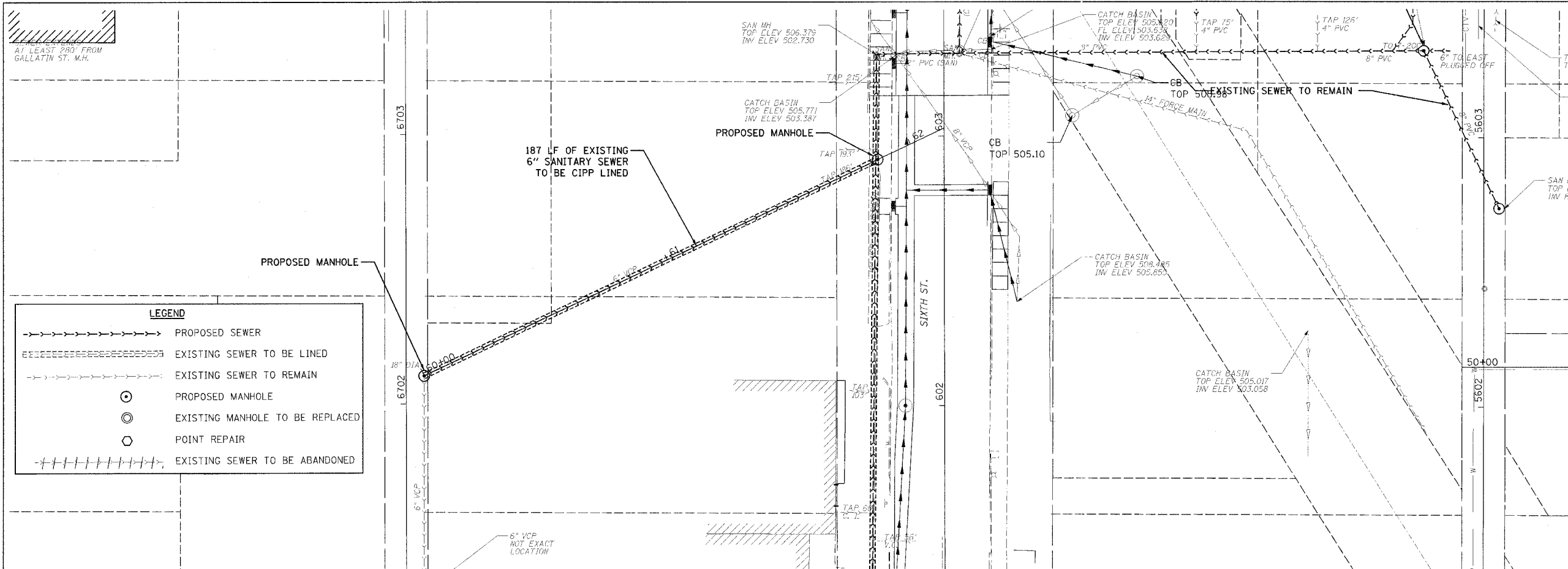
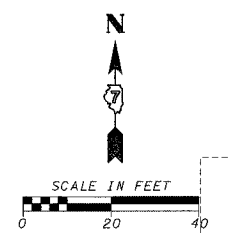


F.A.M. RTE.	SECTION	COUNTY	TOTAL SHEETS	SHEET NO.
8419	99-00048-01-PV	FAYETTE	142	72
STA.	TO STA.			
FED. ROAD DIST. NO.	ILLINOIS FED. AID PROJECT		CONTRACT NO. 95500	

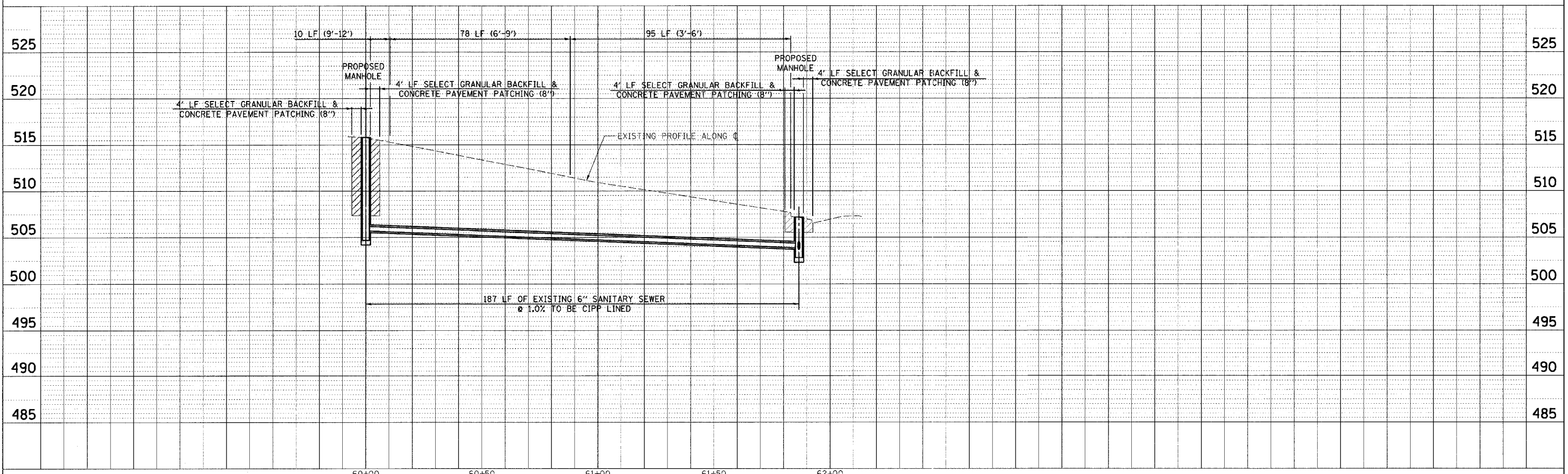


LEGEND	
	PROPOSED SEWER
	EXISTING SEWER TO BE LINED
	EXISTING SEWER TO REMAIN
	PROPOSED MANHOLE
	EXISTING MANHOLE TO BE REPLACED
	POINT REPAIR
	EXISTING SEWER TO BE ABANDONED



DATE	BY
DATE	BY
DATE	BY

DATE	BY
DATE	BY
DATE	BY



CADD FILE: /4812/5ans\_Altay-Smith.dgn  
 PLOTTED: 01/23/2007

P.L.M. & G. NO. 4612