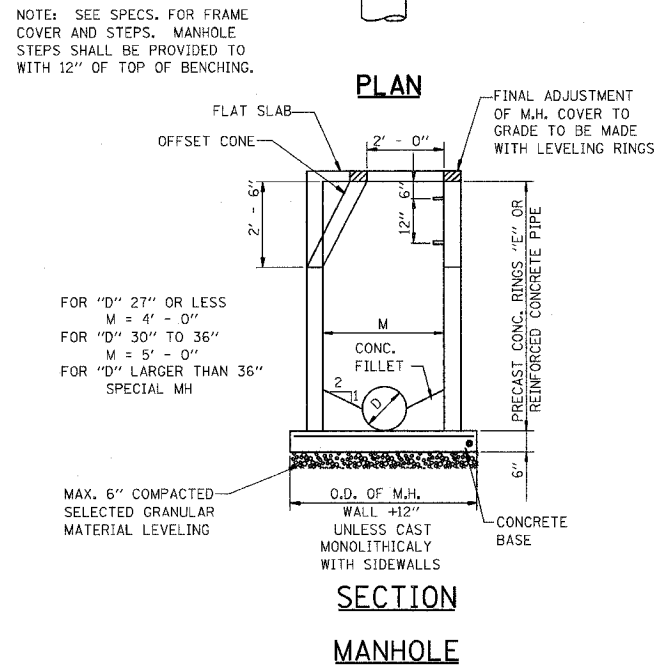
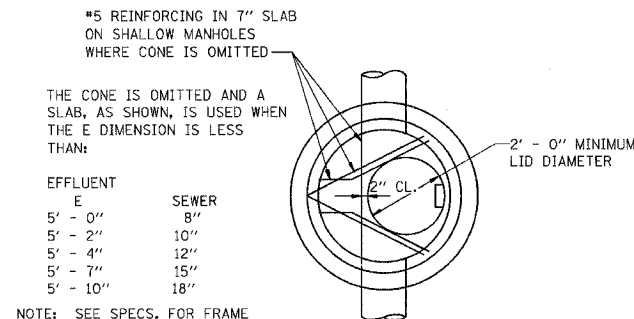
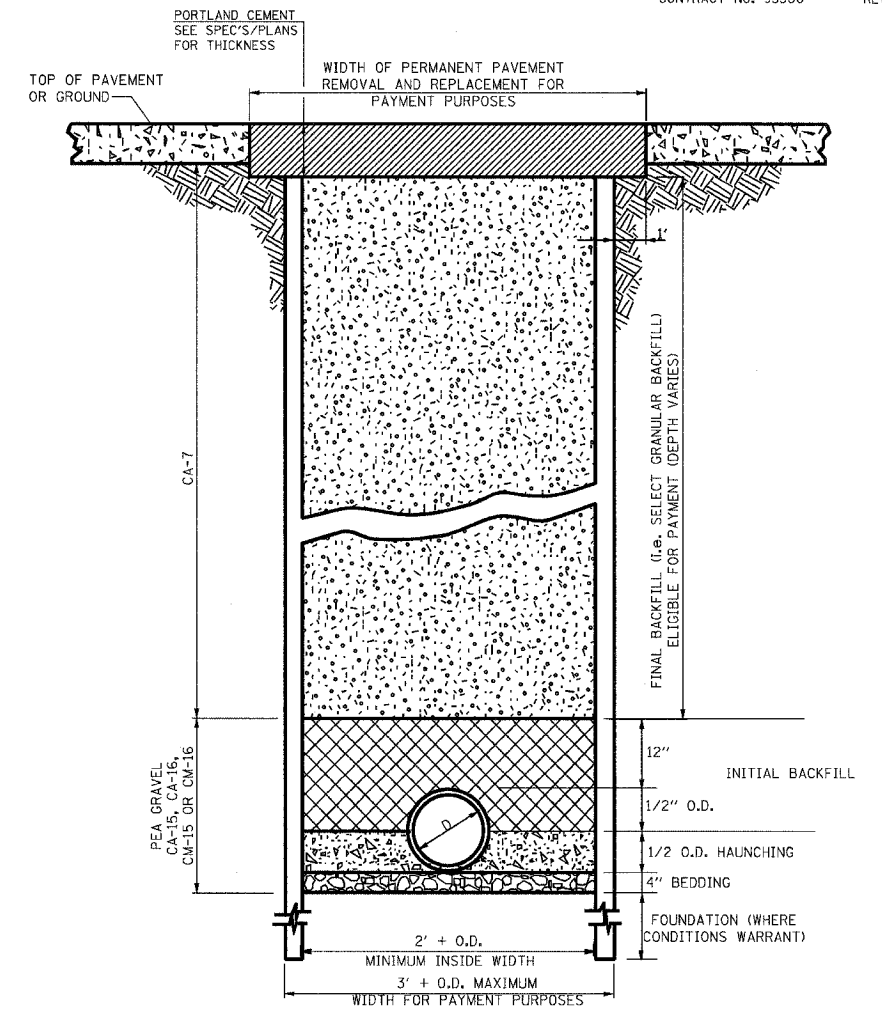


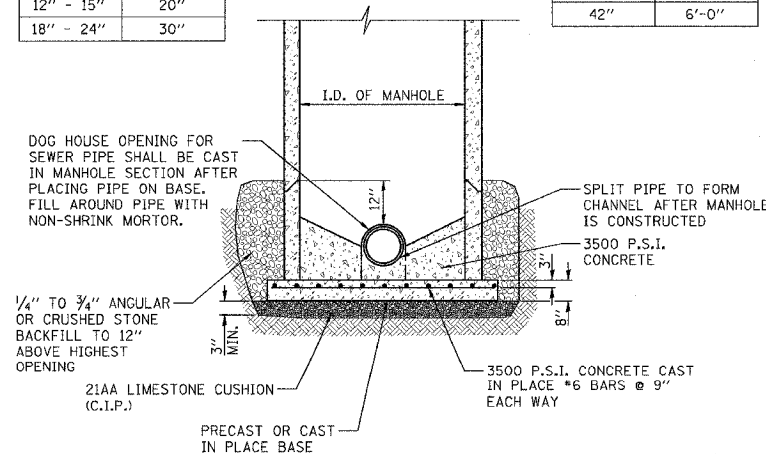
**GENERAL NOTES:**

- ALL EXCAVATION SHALL BE KEPT DEWATERED DURING CONSTRUCTION OPERATIONS UNTIL BACKFILL IS IN PLACE.
- ALL WORK WILL BE DONE IN ACCORDANCE WITH "STANDARD SPECIFICATIONS FOR WATER AND SEWER MAIN CONSTRUCTION IN ILLINOIS," CURRENT EDITION.
- SANITARY SEWER PIPE SHALL MEET ASTM D3034 AND SHALL BE TYPE SDR 35, 8" NOMINAL DIAMETER WITH INTEGRAL BELL AND ELASTOMERIC GASKETS MEETING ASTM D3212 AND ASTM F477. UNLESS OTHERWISE NOTED.
- BACKFILL SHALL MEET STANDARD SPECIFICATIONS FOR WATER AND SEWER MAIN CONSTRUCTION IN ILLINOIS AND SHALL BE CA-15, CA-16, CM-15 OR CM-16 FOR BEDDING (BEDDING CLASS I AS PER ASTM D2321) AND SELECT GRANULAR MATERIAL EXCEPT THAT THE TOP 12 INCHES SHALL BE CA-6, WHERE SELECT GRANULAR MATERIAL IS REQUIRED.
- WATER AND SEWER MAIN SEPARATION WILL BE PER "STANDARD SPECIFICATIONS FOR WATER AND SEWER MAIN CONSTRUCTION IN ILLINOIS," CURRENT EDITION.
- AIR TESTING AND DEFLECTION TESTING SHALL BE PERFORMED ACCORDING TO "STANDARD SPECIFICATIONS FOR WATER AND SEWER MAIN CONSTRUCTION IN ILLINOIS," SECTION 31-1.11.



DOG HOUSE OPENING SIZES	
SEWER SIZE	MAX OPENING
8" - 10"	17 1/2"
12" - 15"	20"
18" - 24"	30"

SEWER PIPE SIZE	MANHOLE DIAMETER
24"	4'-0"
33"	5'-0"
42"	6'-0"



**MANHOLE DETAIL**

- BEDDING**  
BEDDING PER SPECIFICATIONS REQUIRED IN ALL LOCATIONS WHERE SEWER IS WITHIN TWO (2) FEET OF A PERMANENT SURFACE. CASE I BACKFILL FREE FROM ORGANICS AT ALL OTHER LOCATIONS. (INCLUDED IN THE COST OF PIPE)
- HAUNCHING**  
HAUNCHING PER SPECIFICATIONS REQUIRED IN ALL LOCATIONS WHERE SEWER IS WITHIN TWO (2) FEET OF A PERMANENT SURFACE. CASE I BACKFILL FREE FROM ORGANICS AT ALL OTHER LOCATIONS. (INCLUDED IN THE COST OF PIPE)
- INITIAL BACKFILL**  
INITIAL BACKFILL PER SPECIFICATIONS REQUIRED IN ALL LOCATIONS WHERE SEWER IS WITHIN TWO (2) FEET OF A PERMANENT SURFACE. CASE I BACKFILL FREE FROM ORGANICS AT ALL OTHER LOCATIONS. (INCLUDED IN THE COST OF PIPE)
- FINAL BACKFILL**  
SELECT GRANULAR BACKFILL PER SPECIFICATIONS REQUIRED IN ALL LOCATIONS WHERE THE EDGE OF THE SEWER TRENCH IS LOCATED WITHIN TWO (2) FEET OF A PERMANENT SURFACE (ELIGIBLE FOR PAYMENT). CASE I BACKFILL FREE FROM ORGANICS AT ALL OTHER LOCATIONS

**TRENCHING DETAIL**

REVISIONS	
NAME	DATE
JAW	4-13-07

ILLINOIS DEPARTMENT OF TRANSPORTATION

**TYPICAL SEWER DETAILS**

SCALE: VERT. HORIZ. DATE

DRAWN BY KOJ CHECKED BY BWC