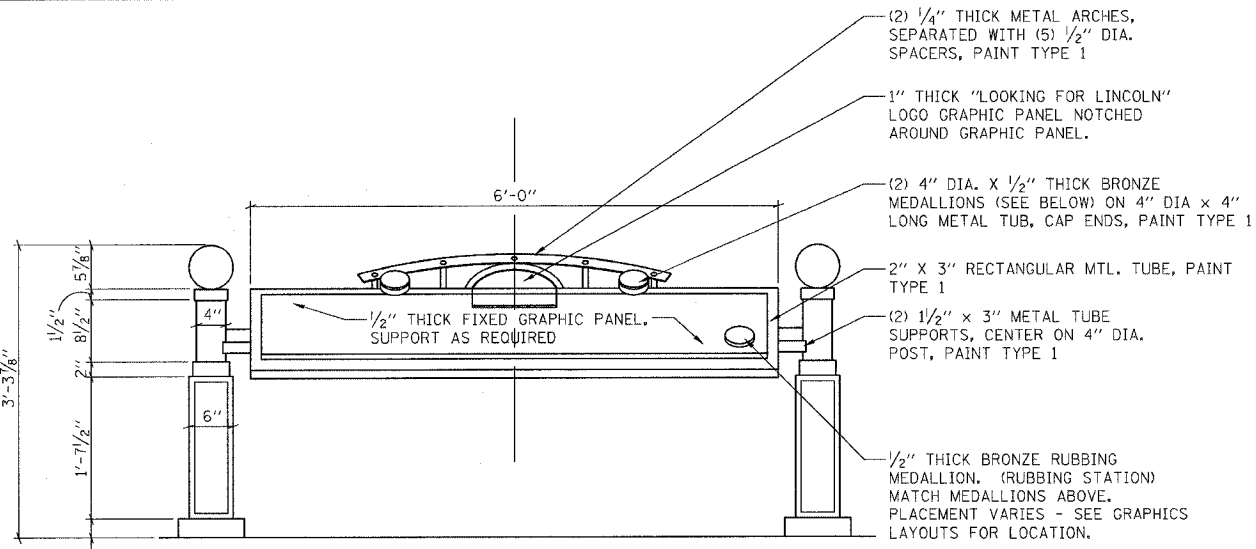
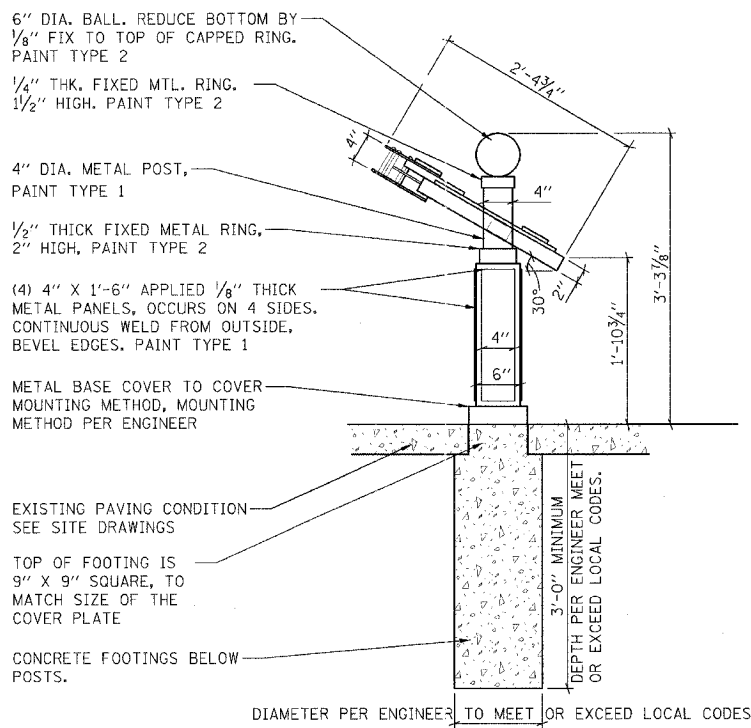


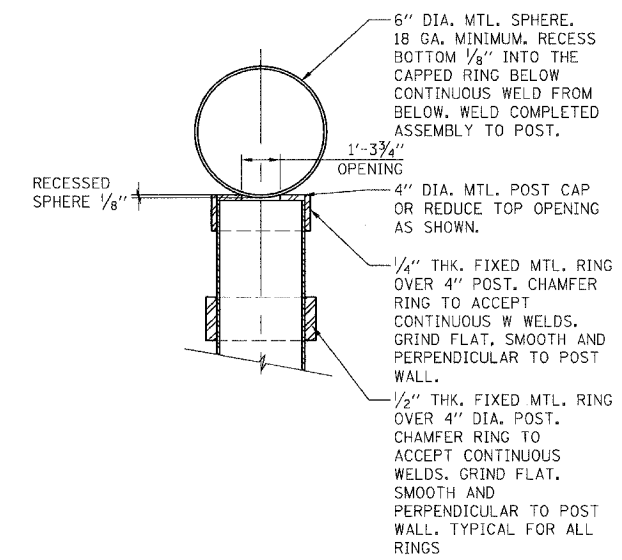
F.A.U. RTE.	SECTION	COUNTY	TOTAL SHEETS	SHEET NO.
8419	99-00048-01-PV	FAYETTE	142	88
STA.	TO STA.			
FED. ROAD DIST. NO.	ILLINOIS FED. AID PROJECT			
CONTRACT NO. 95500				



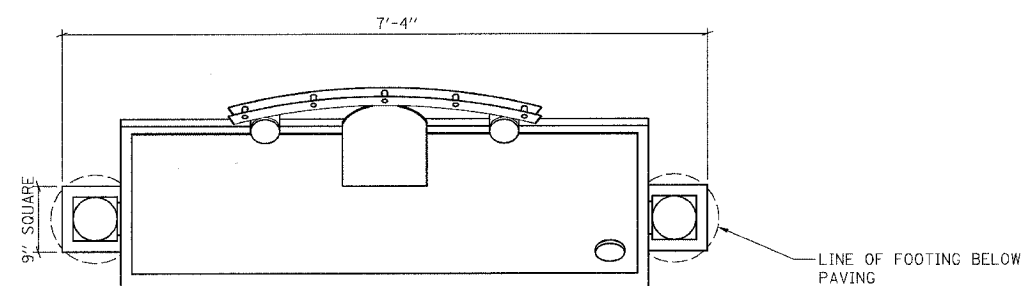
**FRONT ELEVATION**  
SCALE: 1"=1'-0"



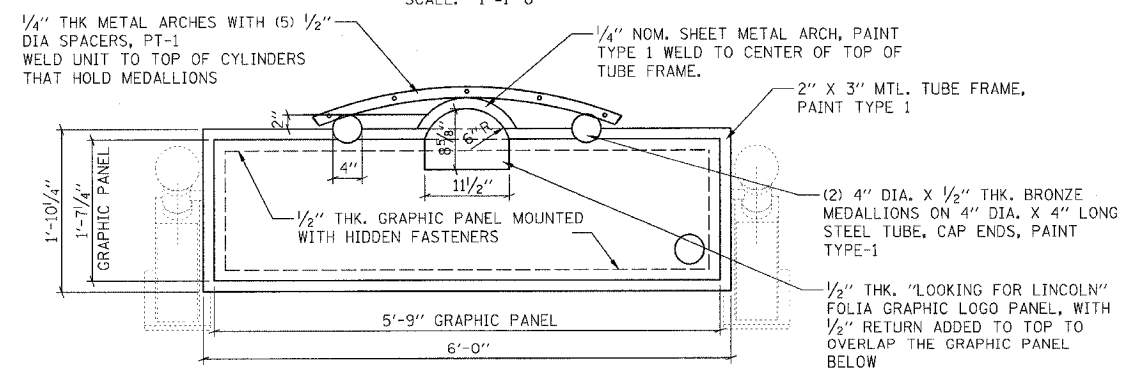
**LEFT SIDE ELEVATION**  
SCALE: 1"=1'-0"



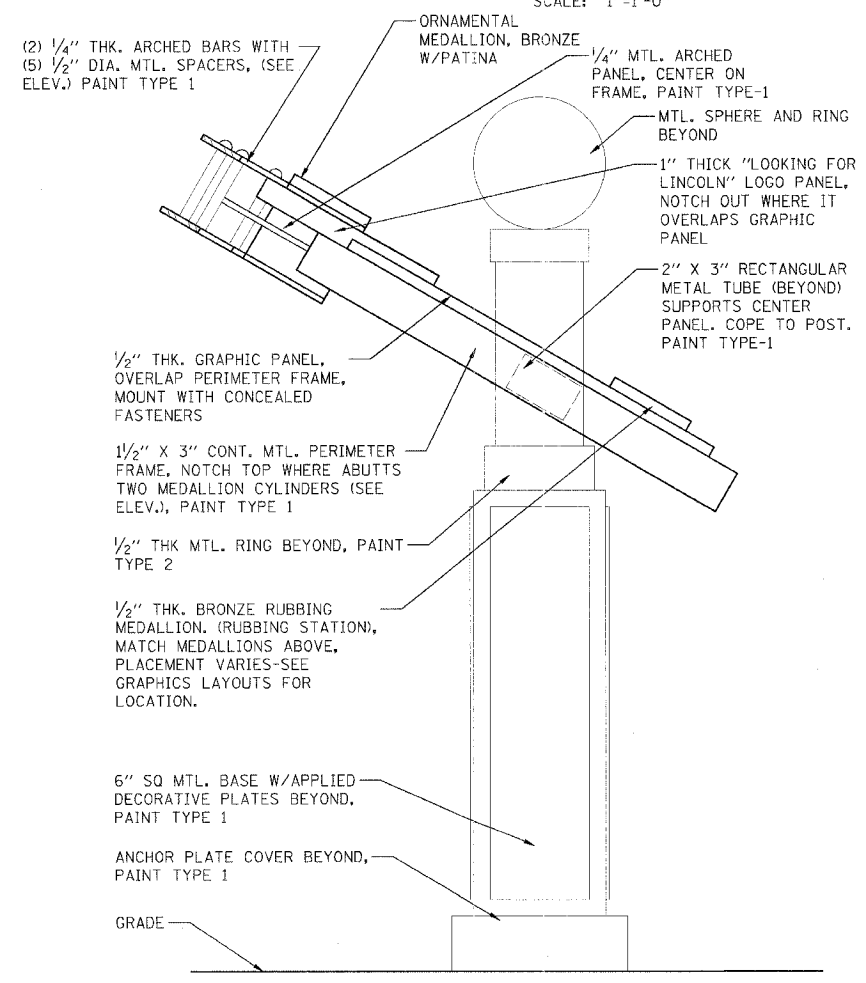
**POST TOP DETAIL**  
SCALE: 6"=1'-0"



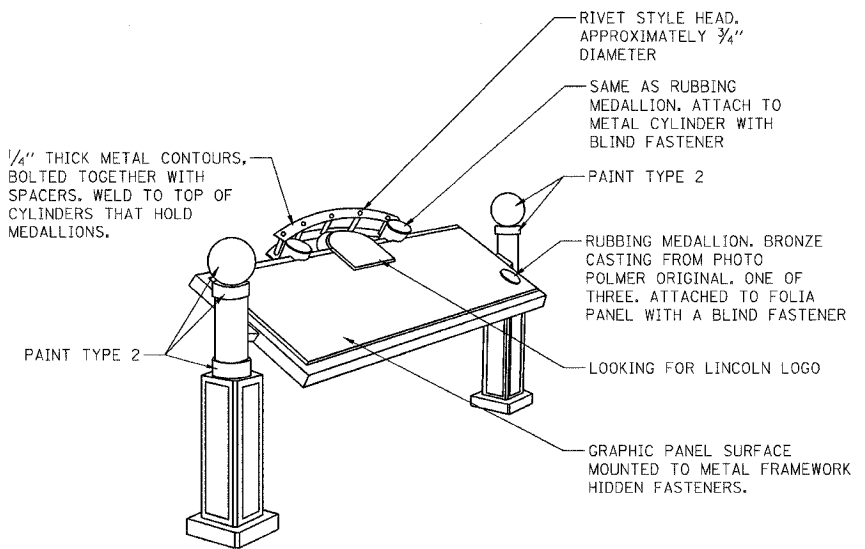
**PLAN**  
SCALE: 1"=1'-0"



**OBLIQUE PLAN**  
SCALE: 1"=1'-0"



**SECTION**  
SCALE: 3"=1'-0"



**PERSPECTIVE**  
SCALE: NONE

REVISIONS	
NAME	DATE

ILLINOIS DEPARTMENT OF TRANSPORTATION  
**SERIES A**  
**OUTDOOR INTERPRETIVES**  
**SIGN TYPE A3**  
SCALE: VERT. HORIZ.  
DATE  
DRAWN BY KOJ  
CHECKED BY BWC

CADD FILE: 74812/D11\_SB\_A3.dgn  
PLOTTER: 01/23/2007

H.M. & G. NO. 4612