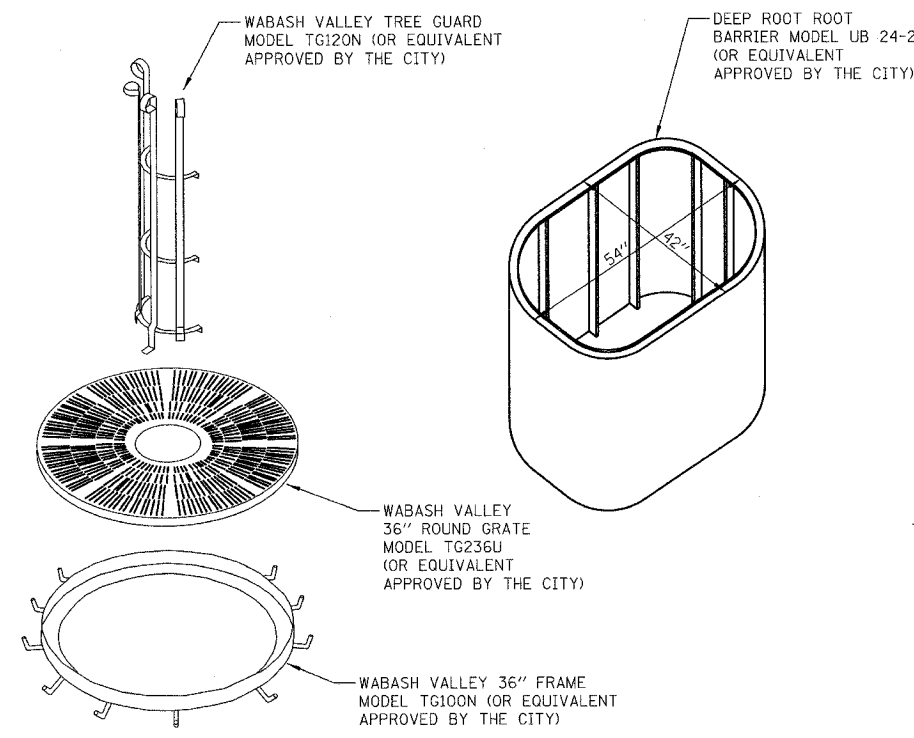
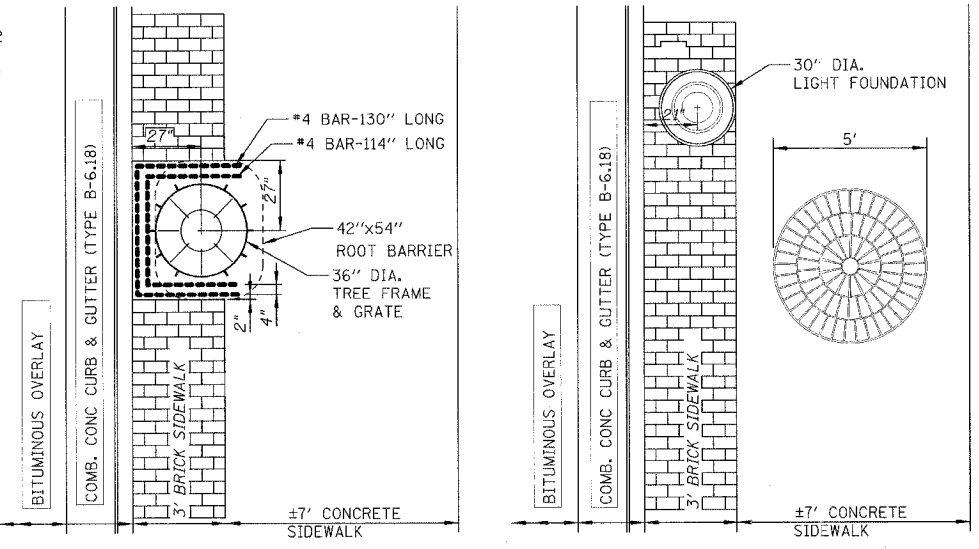


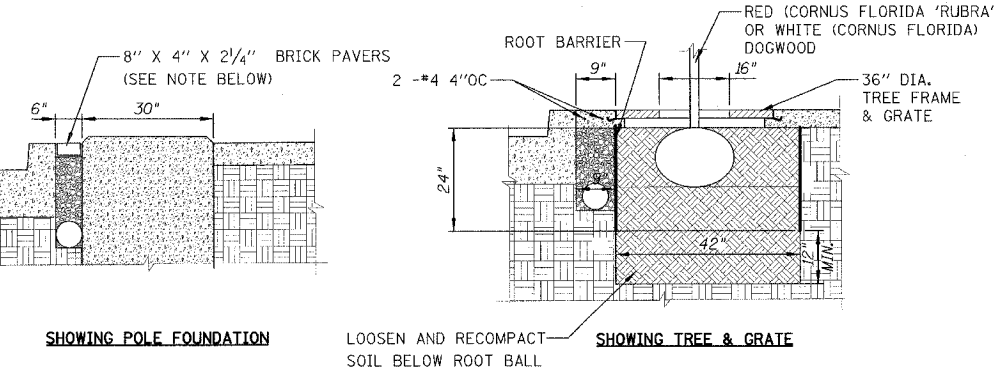
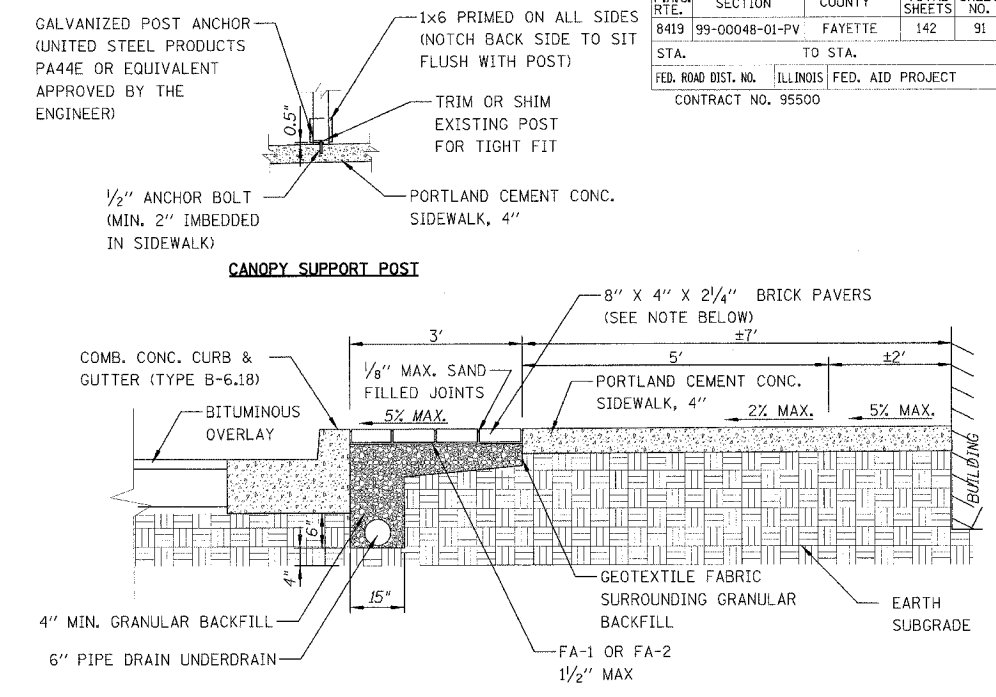
F.A.U. RTE.	SECTION	COUNTY	TOTAL SHEETS	SHEET NO.
8419	99-00048-01-PV	FAYETTE	142	91
STA.	TO STA.			
FED. ROAD DIST. NO.	ILLINOIS	FED. AID PROJECT		
CONTRACT NO. 95500				



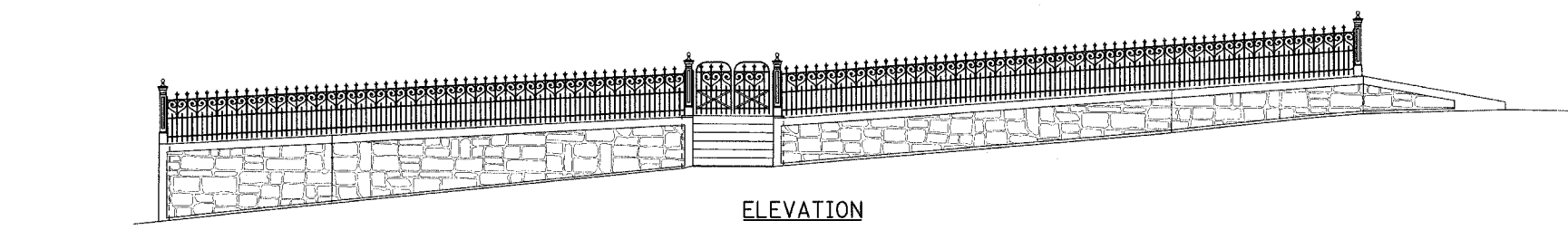
TREE GRATES, FRAMES, GUARDS, & ROOT BARRIER



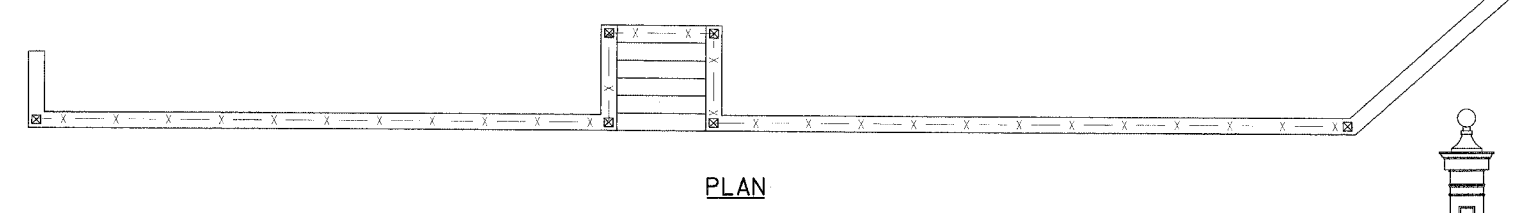
SIDEWALK TYPICAL PLAN DETAIL
NOT TO SCALE



SIDEWALK TYPICAL SECTION DETAIL
NOT TO SCALE

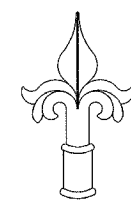


ELEVATION



ORNAMENTAL METAL FENCE ON RETAINING WALL

NOT TO SCALE



NOTE:
STEWART IRON WORKS ORNAMENTAL PICKET TOP - STYLE E FOR 1/2\"/>

ORNAMENTAL PICKET TOPS

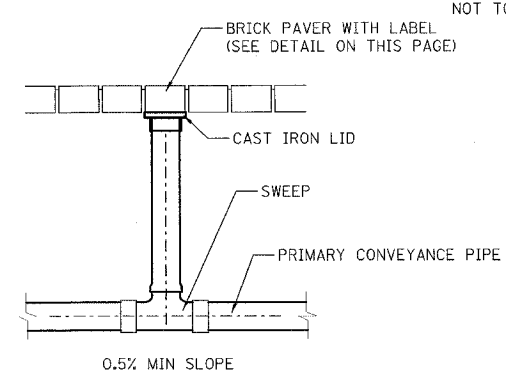
NOT TO SCALE

NOTE:
STEWART IRON WORKS - 37 INCH SCROLL ORNAMENTED FENCE, DESIGN NUMBER 101S, 1/2\"/>

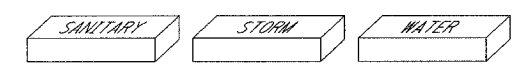
NOTE:
STEWART IRON WORKS ORNAMENTAL END, CORNER AND GATE POSTS STYLE #25 (OR EQUIVALENT APPROVED BY THE CITY)

END, CORNER AND GATE POSTS

NOT TO SCALE



RISER CONNECTION DETAIL
NOT TO SCALE



NOTE:
BRICK PAVERS SHALL BE EQUAL IN APPEARANCE TO HESSIT WORKS INC., RED #1 AS CONSTRUCTED IN LINCOLN PARK. SAID PAVERS WERE OBTAINED FROM HEARTLAND LANDSCAPING, INC. 406 EAST CUMBERLAND ROAD, ALTAMONT, IL 62411.

PAVERS LOCATED OVER ACCESSIBLE WATER VALVES, RISER CONNECTIONS, AND CLEANOUTS SHALL BE APPROPRIATELY ENGRAVED / STAMPED AS SHOWN. THE CONTRACTOR SHALL PROVIDE A SAMPLE OF MARKED AND REGULAR PAVERS FOR APPROVAL.

BRICK PAVER DETAILS
NOT TO SCALE

REVISIONS	
NAME	DATE
LWJ	5-09-07
LWJ	7-24-07

ILLINOIS DEPARTMENT OF TRANSPORTATION
VANDALIA - GALLATIN STREET DETAILS

SCALE: VERT. DATE
HORIZ. DRAWN BY KOJ
CHECKED BY BWC

CADD FILE: 4812/DTL_decorative_2.dgn
PLOTTED: 7/30/2007

H.M. & G. NO. 4812