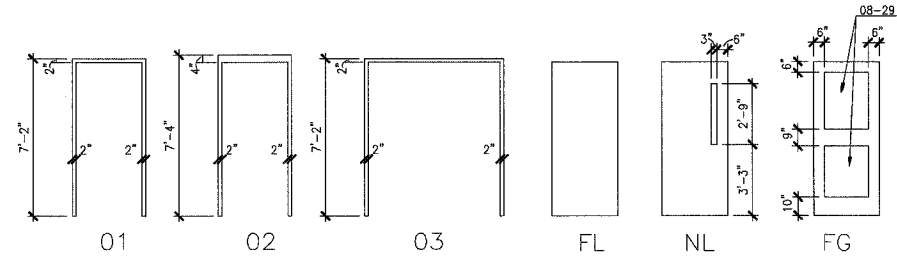


FEDERAL AID PROJECT
GENERAL NOTES:

1. ALL DOOR DIMENSIONS ARE 3'-0" x 7'-0" UNLESS NOTED OTHERWISE.
2. SEE FINISH SCHEDULE FOR DOOR AND FRAME FINISHES.



DOOR ELEV. LEGEND

- FL FLUSH
- FG FULL GLASS
- NL NARROW LITE

DOOR MATERIAL LEGEND

- HM HOLLOW METAL
- GL GLASS
- AL ALUMINUM

DOOR TYPE SCHEDULE

DOOR TYPE	DOOR ELEV.	DOOR MATERIAL	FRAME ELEV.	OPENING RATING	REMARKS
A	FL	HM	01		
B					NOT USED
C	FG	AL/GL	01		INSTALL TEMPERED INSULATED GLASS
D	NL	HM/GL	01	1 1/2 HOUR	INSTALL FIRE-RATED GLASS @ LITE
E	FL	HM	02		
F	FG	AL/GL	03		INSTALL TEMPERED INSULATED GLASS
G	FL	HM	03		

FRAME ELEVATION

1/4"=1'-0"

DOOR ELEVATIONS

1/4"=1'-0"

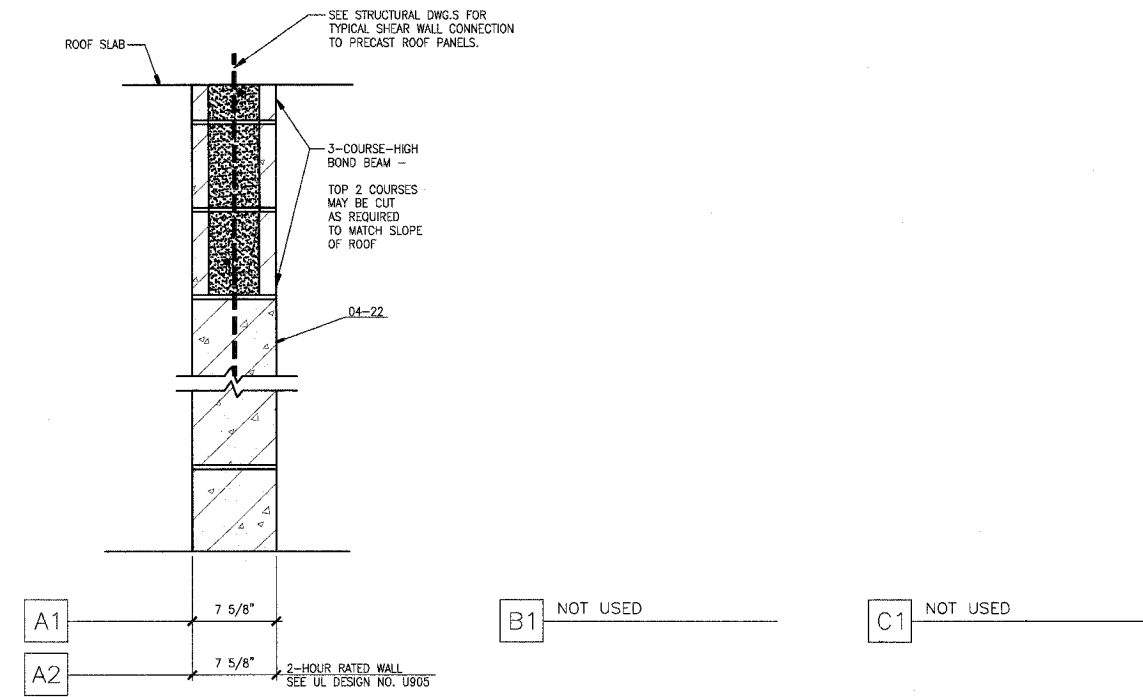
FINISH SCHEDULE

ROOM NO.	ROOM NAME	FLOOR	WALLS	CEILING FINISH	CEILING HEIGHT	REMARKS
101	MECHANICAL	SC	---	---	VARIES	PAINT DOORS & FRAMES WITH HPC
102	VENDING	STC	HPC	AP/HPC	VARIES	
103	GIFT SHOP	STC	HPC	AP/HPC	VARIES	
104	CONTROL DESK	STC	HPC	AP/HPC	VARIES	
105	LOBBY	*	---	HPC	VARIES	*COLORED CONC. - PART OF PLAZA PAVING
106	ELEVATOR MECHANICAL	SC	---	---	VARIES	PAINT DOORS & FRAMES WITH HPC
107	ELECTRICAL	SC	---	---	VARIES	PAINT DOORS & FRAMES WITH HPC
108	PUMPS	SC	---	---	VARIES	PAINT DOORS & FRAMES WITH HPC

KEYED NOTES:

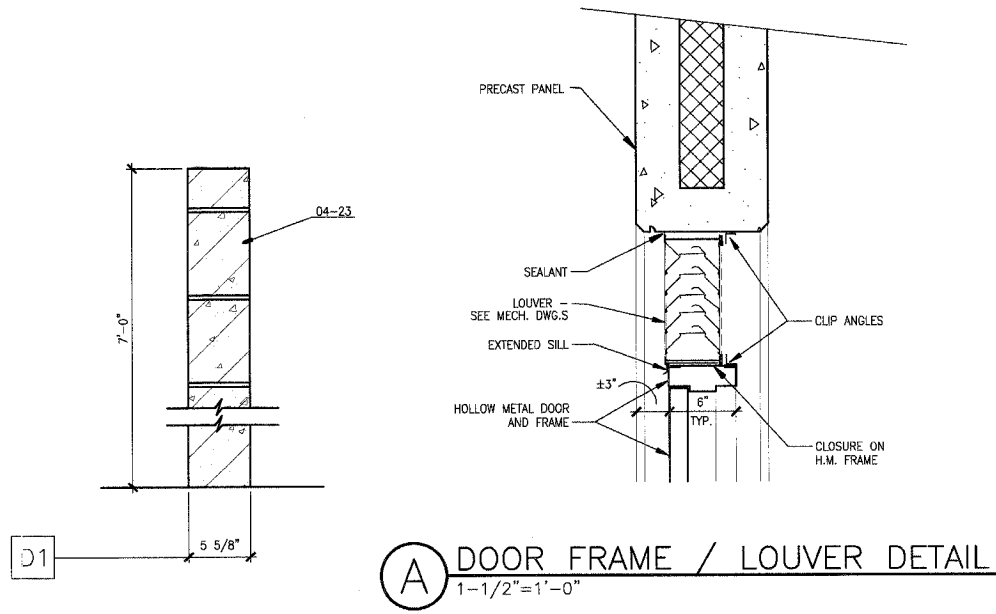
- 04-22 8" CONCRETE MASONRY UNIT
- 04-23 6" CONCRETE MASONRY UNIT
- 04-62 COMPRESSIBLE FILLER
- 08-29 GLAZING TYPE 1 (1" INSULATED)

- SC SEALED CONCRETE
- STC STAINED CONCRETE
- HPC HIGH PERFORMANCE COATING
- AP ACOUSTICAL PANEL



PARTITION TYPES

1-1/2"=1'-0"



DOOR FRAME / LOUVER DETAIL

1-1/2"=1'-0"

211 N. Broadway
Suite 100
St. Louis, MO 63102
(314) 241-8888
FAX (314) 241-0228



PHASE 2A
LEWIS AND CLARK MEMORIAL TOWER
VILLAGE OF HARTFORD, ILLINOIS
HARTFORD, ILLINOIS 62049

SHEET TITLE:
MOUNTING HEIGHTS/
PARTITION TYPES
DOOR INFORMATION

REV. NO.	DATE	REMARKS

KENNEDY PROJECT NO
KAI- 10-02048

ISSUE DATE
12-JULY-05

SHEET NO

AA2-01