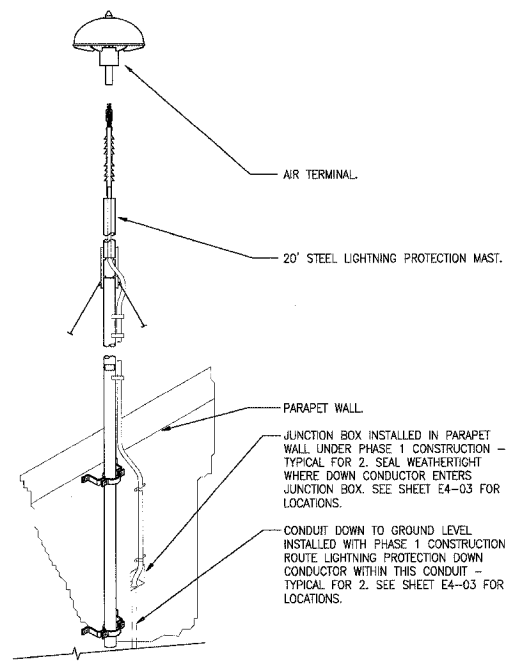
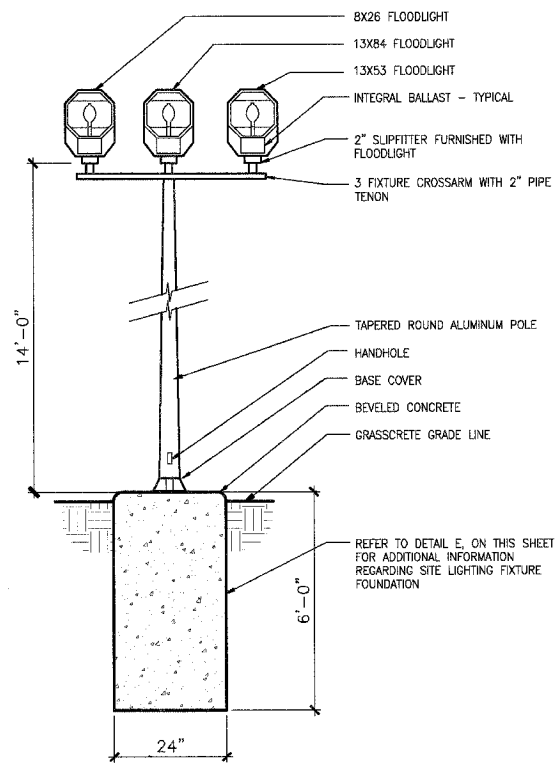


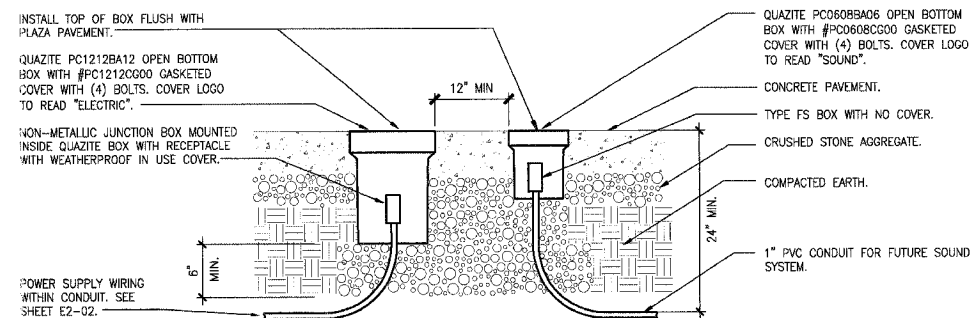
FEDERAL AID PROJECT



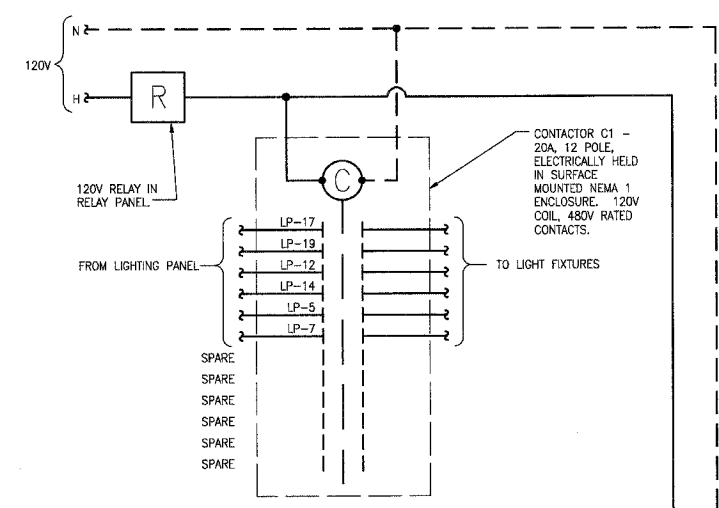
F LIGHTNING PROTECTION MOUNTING
NO SCALE



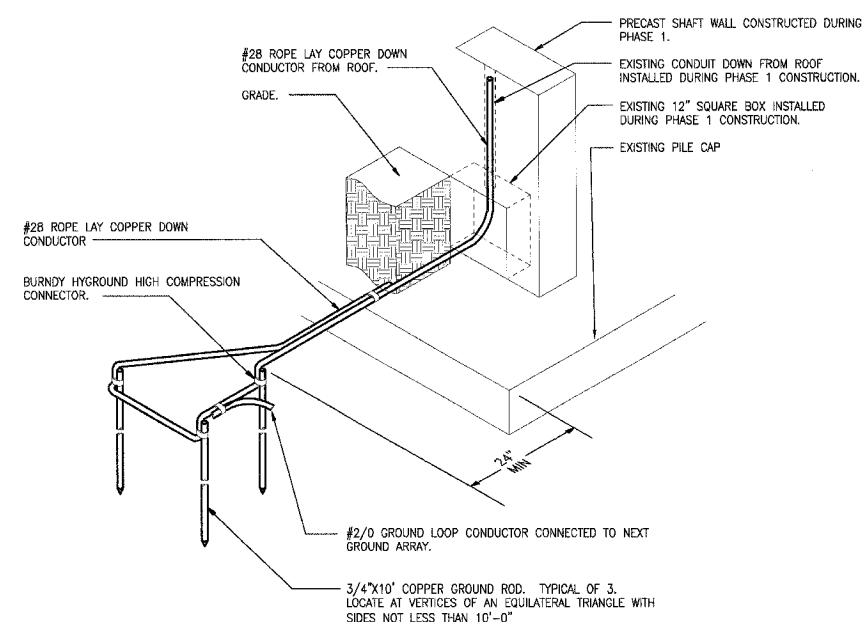
D FLOODLIGHTING FIXTURE "TYPE M"
NO SCALE



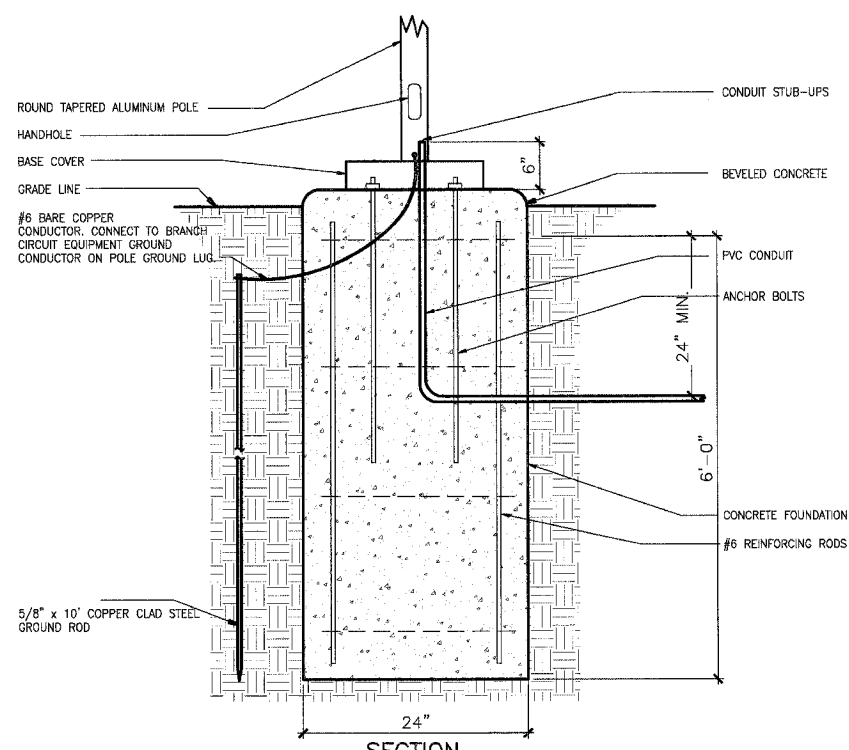
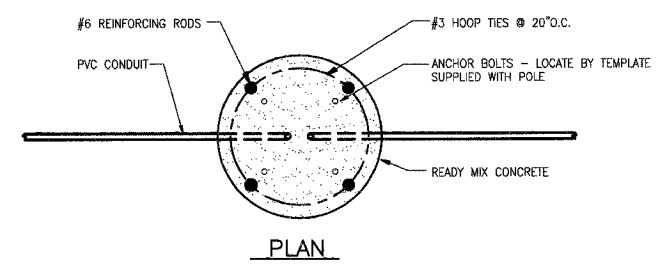
A BOXES AT PLAZA
NO SCALE



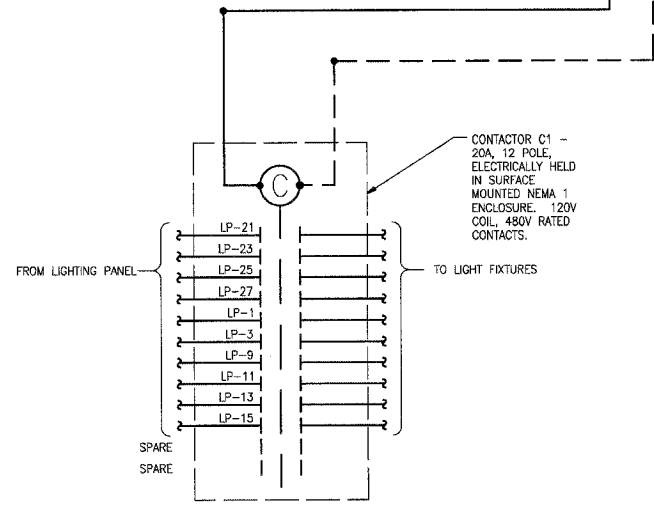
B CONTACTOR C1 DETAIL
NO SCALE



G LIGHTNING PROTECTION GROUND ARRAY
NO SCALE



E SITE LIGHTING FIXTURE FOUNDATION DETAIL
NO SCALE



C CONTACTOR C2 DETAIL
NO SCALE

211 N. Broadway
Suite 1000
St. Louis, MO 63102
(314) 341-9188
(314) 341-9125
FAX (314) 341-9125

KAI

**PHASE 2A
LEWIS AND CLARK MEMORIAL TOWER
VILLAGE OF HARTFORD, ILLINOIS
HARTFORD, ILLINOIS 62049**

SHEET TITLE:
ELECTRICAL DETAILS

DATE	
REMARKS	
REV. NO.	

KENNEDY PROJECT NO
KAI 10-02048

ISSUE DATE
12-JULY-05

SHEET NO

EA6-01