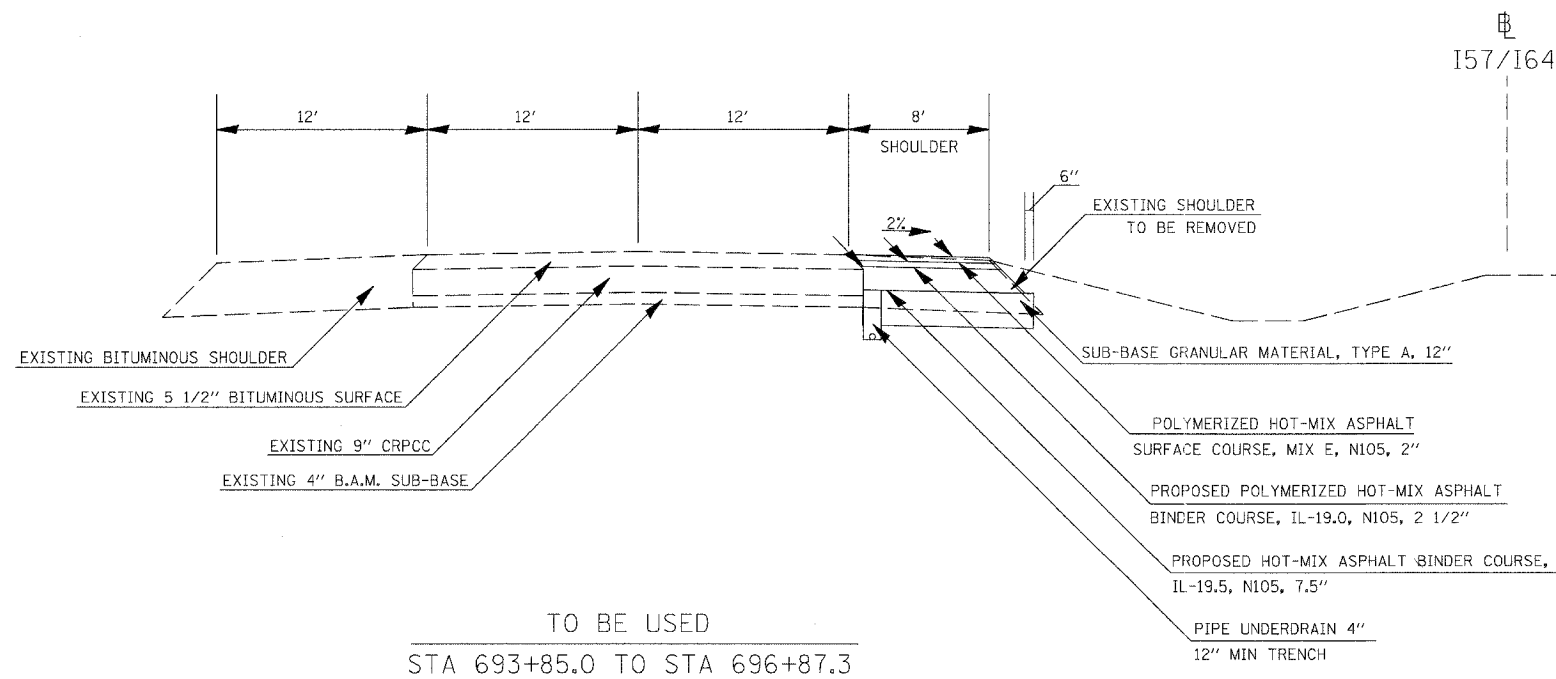
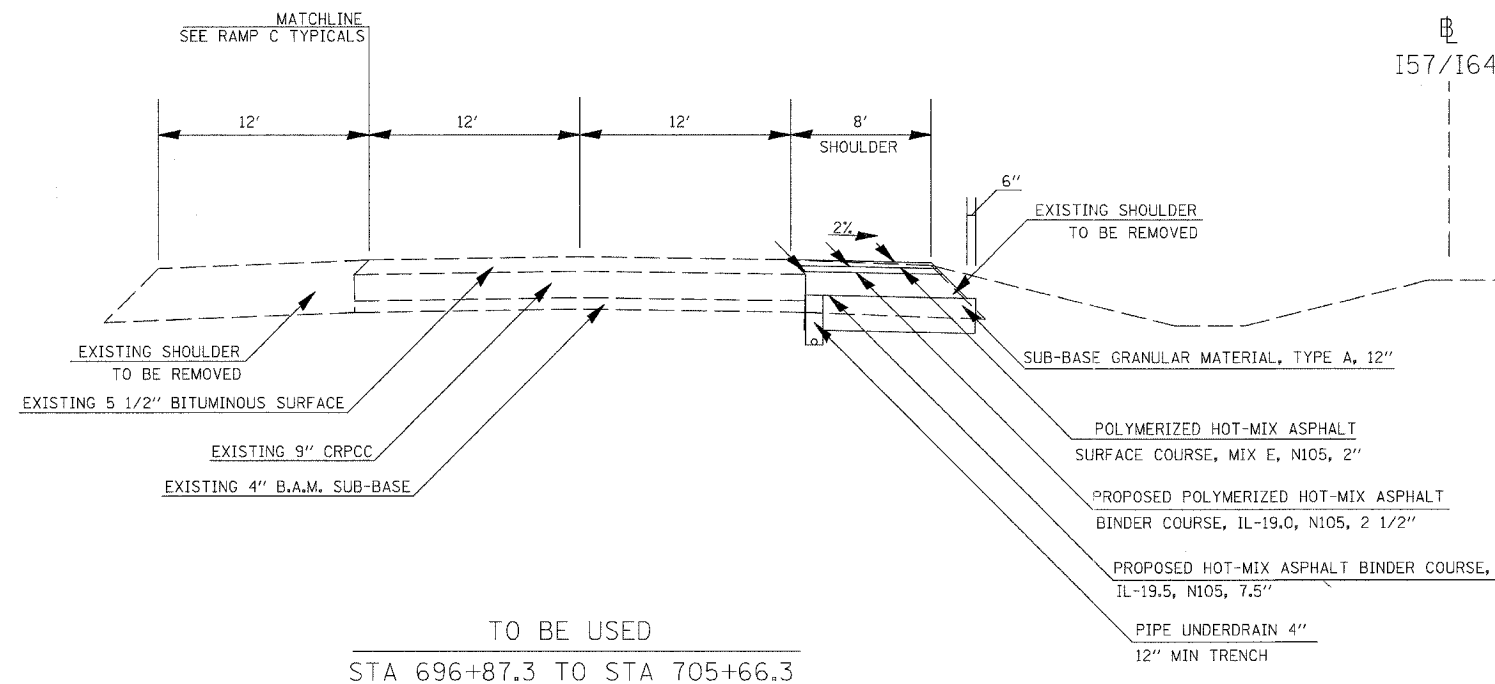


F.A. RTE.	SECTION	COUNTY	TOTAL SHEETS	SHEET NO.
57/64	(41-3)HBK	JEFFERSON	518	050
STA. TO STA.				
FED. ROAD DIST. NO.	ILLINOIS	FED. AID PROJECT		



PLOT DATE = 03/21/2007 07:27 AM  
 FILE NAME = I:\98\Job\982815\DOT RAMP\Typical\am2  
 PLOT SCALE = 5.0000' / 1" IN.  
 USER NAME = Kcs

\* SEE GUARDRAIL SCHEDULE AND DETAIL FOR GUARDRAIL SHOULDER WIDENING