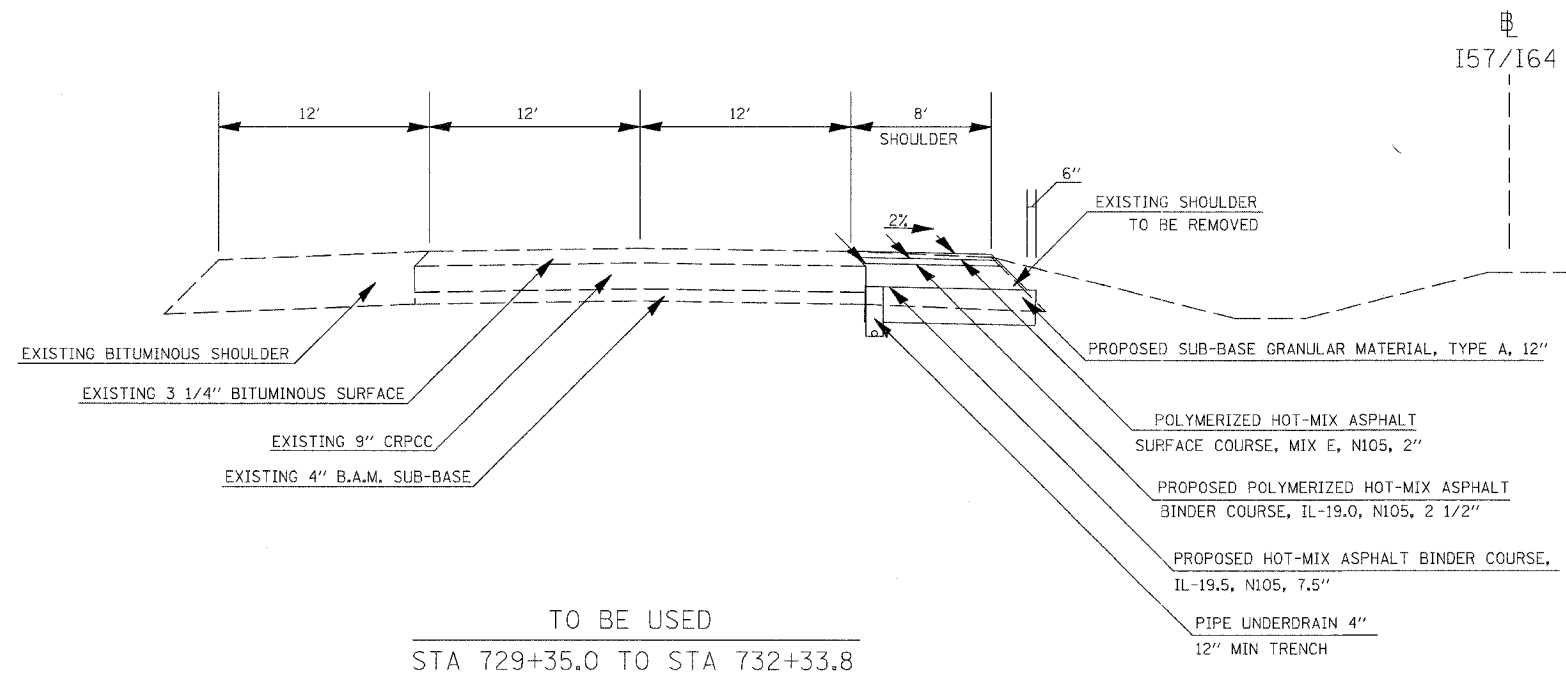
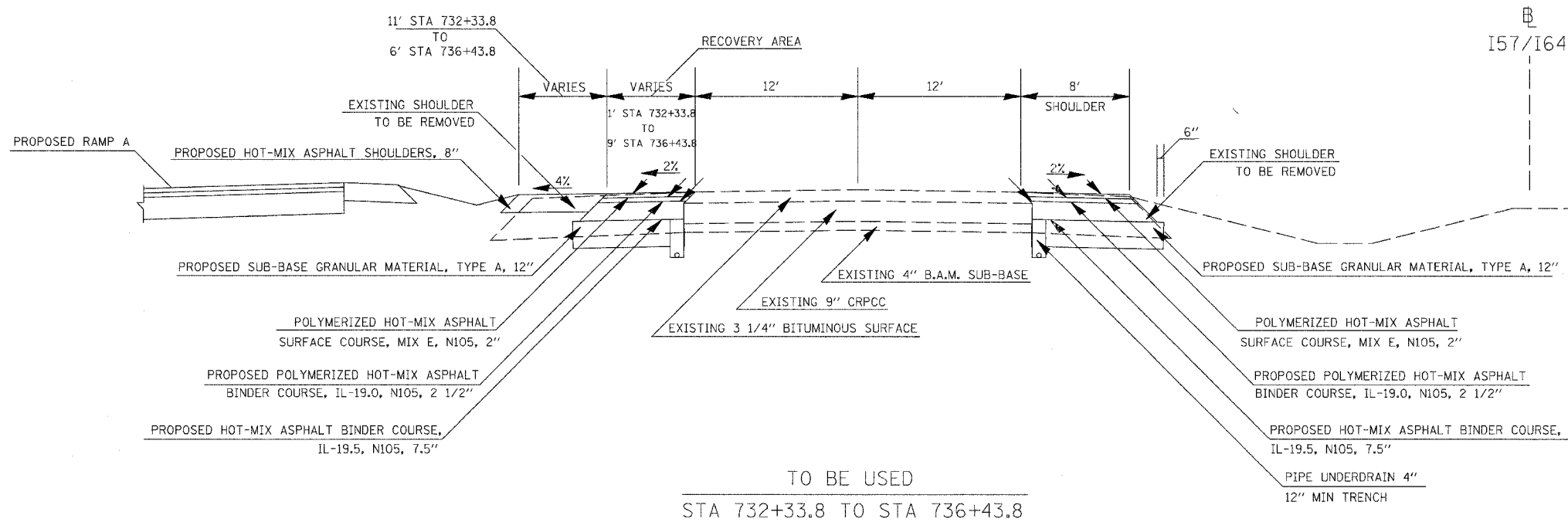


F.A. RTE.	SECTION	COUNTY	TOTAL SHEETS	SHEET NO.
57/64	(41-3)HBK	JEFFERSON	518	053
STA.		TO STA.		
FED. ROAD DIST. NO.		ILLINOIS FED. AID PROJECT		



PLOT DATE = 03/21/2007 07:27 AM  
 FILE NAME = I:\98\98963\98963\DOT RAMP\SY\typical.mxd  
 PLOT SCALE = 5/8" = 1' IN.  
 USER NAME = Mgt

\* SEE GUARDRAIL SCHEDULE AND DETAIL FOR GUARDRAIL SHOULDER WIDENING