

F.A.I. RTE.	SECTION	COUNTY	TOTAL SHEETS	SHEET NO.
57/64	(41-3)HBK	JEFFERSON	518	057
STA.		TO STA.		
FED. ROAD DIST. NO.		ILLINOIS FED. AID PROJECT		
CONTRACT NO. 98963				

LEGEND:

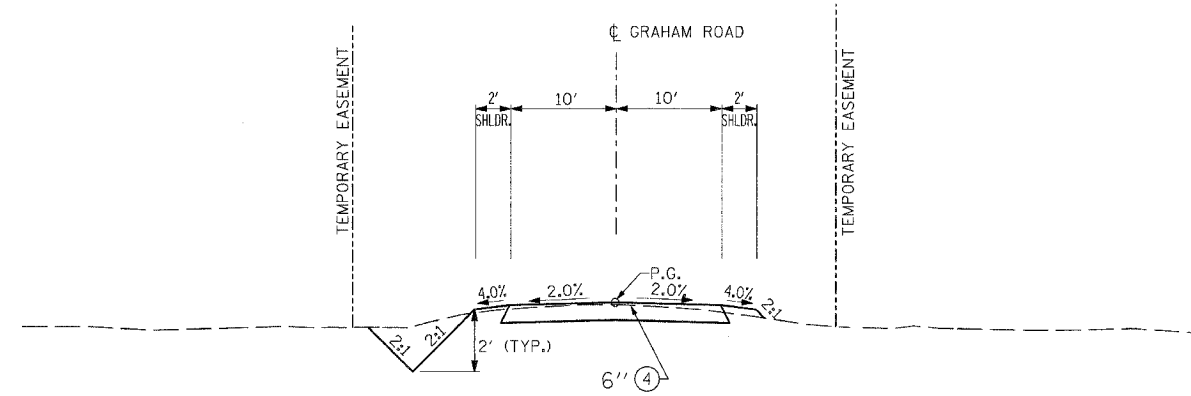
- ① PORTLAND CEMENT CONCRETE PAVEMENT, JOINTED 9 1/2"
- ② SUB-BASE GRANULAR MATERIAL, TYPE A 12 1/2"
- ③ AGGREGATE SURFACE COURSE, TYPE A 8"
- ④ AGGREGATE BASE COURSE, TYPE A
- ⑤ AGGREGATE SHOULDERS TYPE B, 6"
- ⑥ HOT MIX ASPHALT PAVEMENT (FULL-DEPTH), 12 1/4"
- ⑦ HOT MIX ASPHALT SURFACE CSE. "MIX D", N50 1 3/4"
- ⑧ HOT MIX ASPHALT BINDER CSE. IL-19.0, N50 2 1/2"
- ⑨ HOT MIX ASPHALT SHOULDERS, 8"
- ⑩ LIME MODIFIED SOIL, 12"
- ⑪ PORTLAND CEMENT CONCRETE SIDEWALK, 4"
- ⑫ TOPSOIL FURNISH AND PLACE, 4"
- ⑬ COMBINATION CONCRETE CURB & GUTTER, TYPE B-6.24
- ⑭ COMBINATION CONCRETE CURB & GUTTER, TYPE B-6.18
- ⑮ COMBINATION CONCRETE CURB & GUTTER, TYPE B-6.12
- ⑯ COMBINATION CONCRETE CURB & GUTTER, TYPE B-6.06
- ⑰ CONCRETE MEDIAN, TYPE SB-6
- ⑱ CONCRETE MEDIAN SURFACE, 4"
- ⑲ NO. 6 EPOXY COATED TIE BARS IN ACCORDANCE WITH STANDARD 420101, SECTION 420 OF THE STANDARD SPECIFICATIONS AND THE FOLLOWING TABLE:

LONGITUDINAL JOINT TYPE	BAR SIZE	SPACING
SAWED CONSTRUCTION	NO. 6	30"
	NO. 6	24"

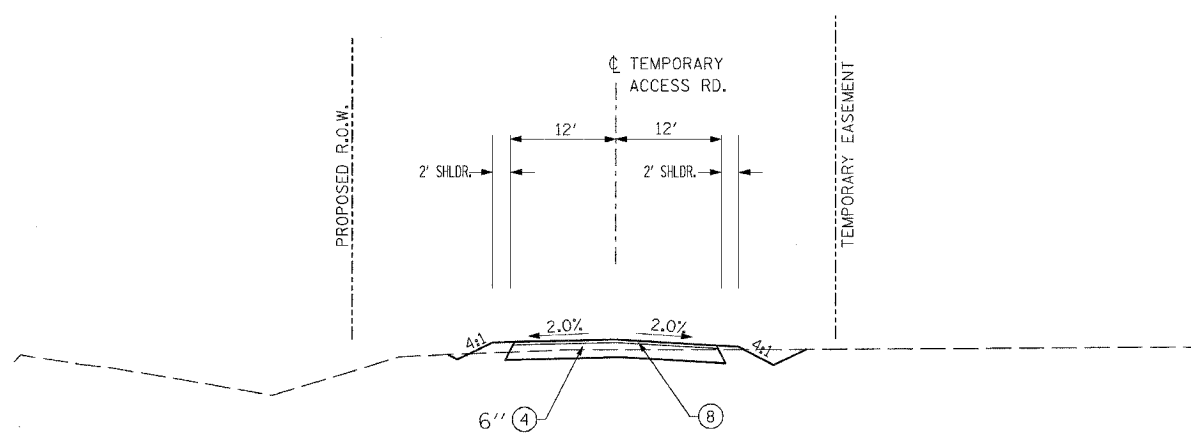
- ⑳ NO. 6 EPOXY COATED TIE BARS AT 24" CENTERS IN ACCORDANCE WITH STANDARD 606001
- ㉑ BITUMINOUS MATERIALS (PRIME COAT)
- ㉒ PAVEMENT MARKINGS (SEE PAVEMENT MARKING PLANS FOR TYPE AND LOCATIONS)
- ㉓ HOT MIX ASPHALT SURFACE REMOVAL, VARIABLE DEPTH
- ㉔ LEVELING BINDER, (MACHINE METHOD), N50 2 1/4"
- ㉕ PORTLAND CEMENT CONCRETE PAVEMENT JOINTED 8 1/2" (UNREINFORCED)
- ㉖ BITUMINOUS SURFACE TREATMENT, CLASS A-3
- ㉗ PAVEMENT FABRIC

NOTE:

DOWEL AND TIES BARS SHALL NOT BE PAID FOR SEPARATELY BUT SHALL BE INCLUDED IN THE COST OF CONCRETE PAVEMENT AND/OR CONCRETE CURB AND GUTTER.



**RELOCATED GRAHAM ROAD**  
 STA. 201+18.00 TO STA. 207+79.46  
 CONTINUE AGGREGATE BASE COURSE  
 TYPE A TO EXISTING 45TH STREET.



**TEMPORARY ACCESS ROAD**  
 STA. 15+02.79 TO 17+40.65 RT  
 STA. 15+41.83 TO 17+40.65 LT

REVISIONS		ILLINOIS DEPARTMENT OF TRANSPORTATION
NAME	DATE	
		TYPICAL SECTIONS GRAHAM ROAD VETERANS MEMORIAL DRIVE INTERCHANGE SECTION (41-3)HBK SCALE: NO SCALE DATE 3-22-07 DRAWN BY RLT CHECKED BY MTM

LAYOUT	RLT	02/26/04
DRAWN	JEO	04/12/04
REVIEWED	MTM	03/22/07