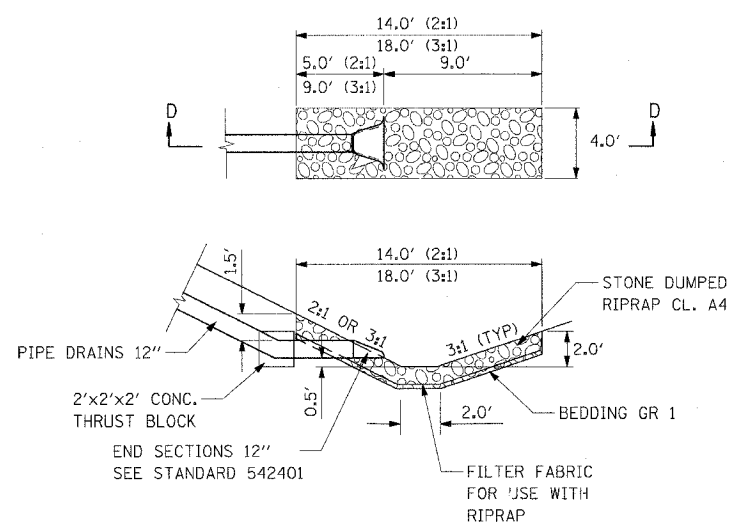
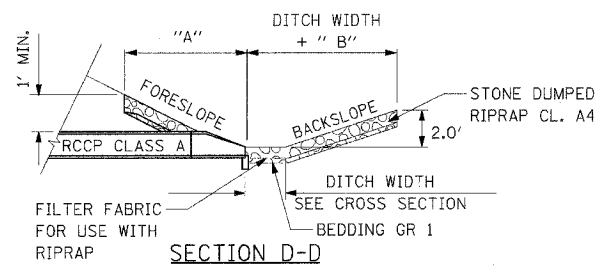
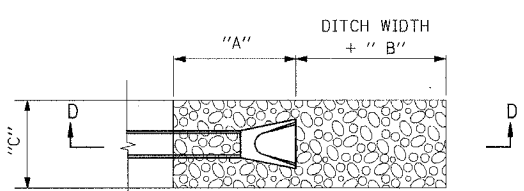


F.A.I. RTE.	SECTION	COUNTY	TOTAL SHEETS	SHEET NO.
57/64	(41-3)HBK	JEFFERSON	518	191
STA.	TO STA.			
FED. ROAD DIST. NO. - ILLINOIS FED. AID PROJECT				
CONTRACT NO. 98963				



SECTION D-D

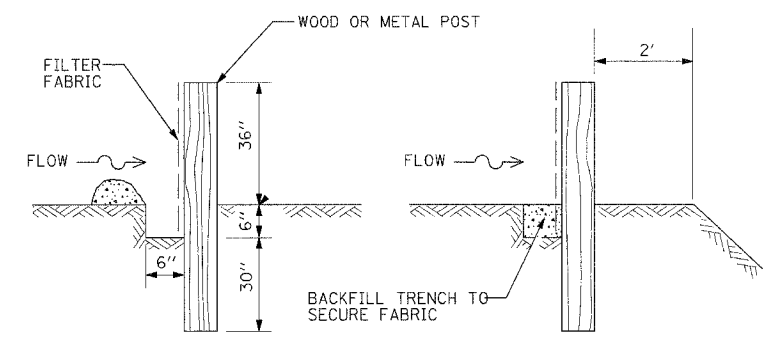
OUTLET  
PIPE DRAINS 12"  
STONE DUMPED RIPRAP PROTECTION DETAIL



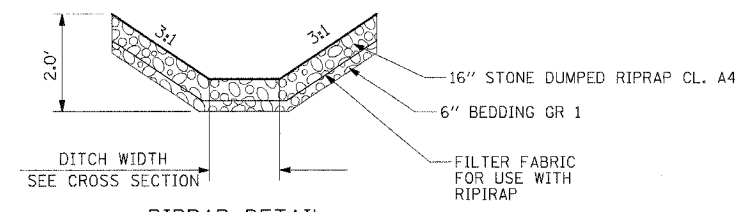
SECTION D-D

PIPE SIZE	"A"		"B"		"C" WIDTH
	FORESLOPE	BACKSLOPE	FORESLOPE	BACKSLOPE	
12	4	6	4	6	4
15	4.5	6.75	4	6	4
18	5	7.5	4	6	4.5
24	6	9	4	6	6
27	6.5	9.75	4	6	6.75
30	7	10.5	4	6	7.5
33	7.5	11.25	4	6	8.25
36	8	12	4	6	9
48	10	15	4	6	12

INLET/OUTLET DETAIL  
TYPICAL

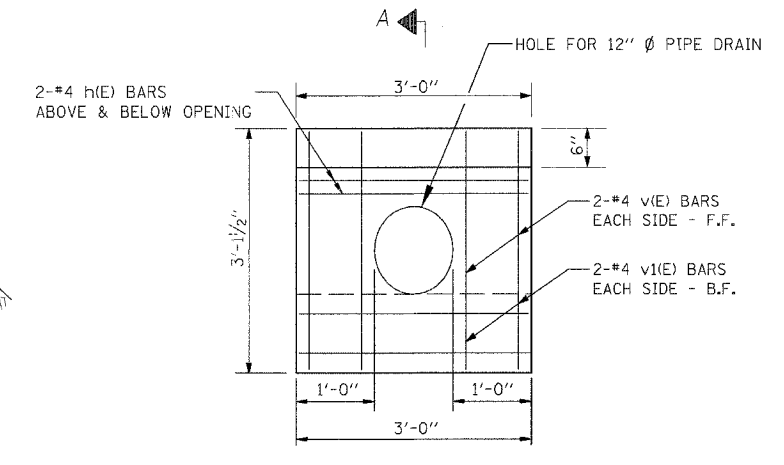


SILT FILTER FENCE AS A  
PERIMETER EROSION BARRIER



RIPRAP DETAIL  
TYPICAL DITCH

NOTE: SEE EROSION CONTROL PLAN FOR  
RIPRAP LIMITS

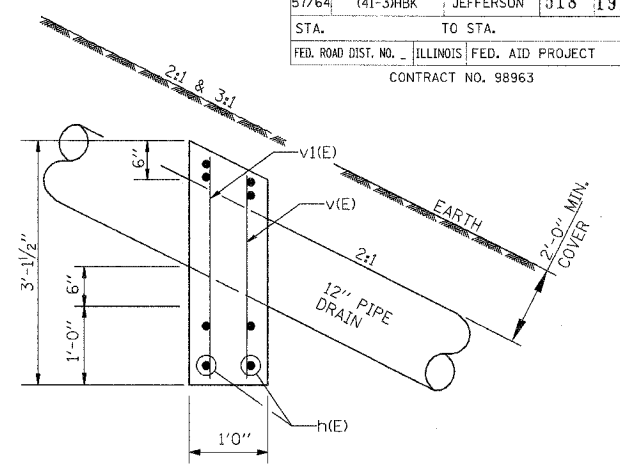


ELEVATION

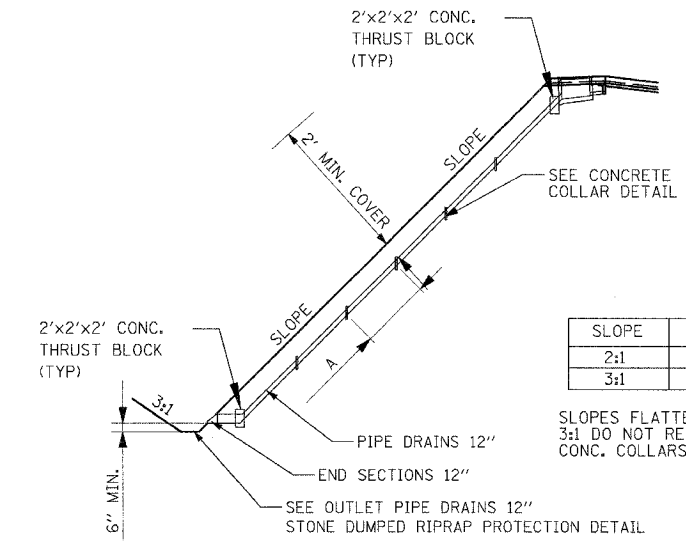
BILL OF MATERIAL

BAR	NO	SIZE	LENGTH	SHAPE
h(E)	8	#4	2'-8"	
v(E)	4	#4	2'-3"	
v1(E)	4	#4	2'-8"	
CONCRETE COLLAR			CU.YD.	0.3
REINFORCEMENT BARS			POUND	28

CONCRETE COLLAR DETAIL



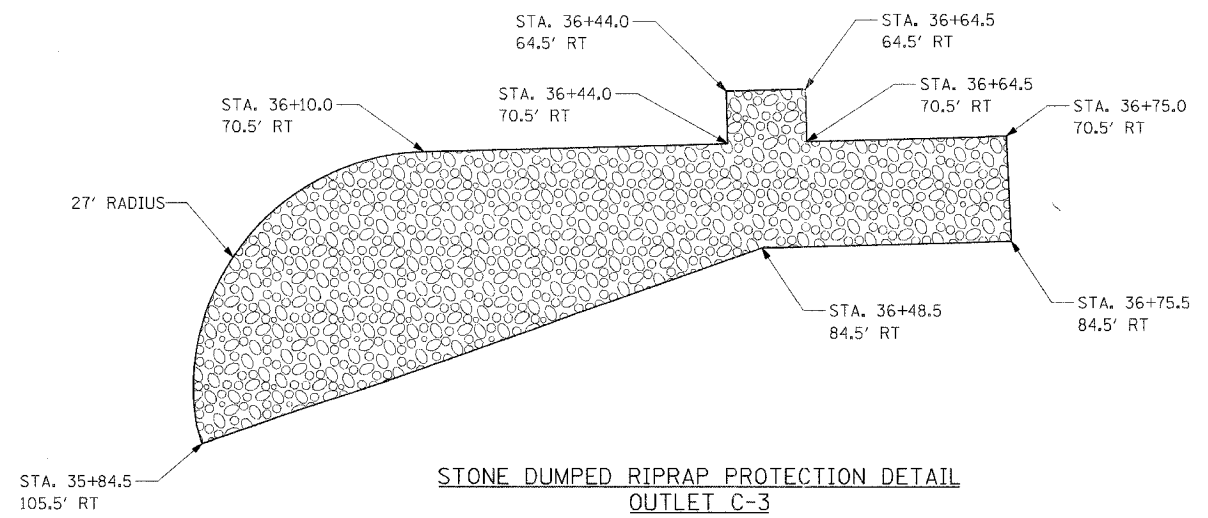
VIEW A-A



EMBankment DETAIL  
PIPE DRAIN, 12"

SLOPE	A (FT)
2:1	16
3:1	20

SLOPES FLATTER THAN  
3:1 DO NOT REQUIRE  
CONC. COLLARS



STONE DUMPED RIPRAP PROTECTION DETAIL  
OUTLET C-3

NOT TO SCALE

REVISIONS	
NAME	DATE

ILLINOIS DEPARTMENT OF TRANSPORTATION  
DRAINAGE DETAILS  
VETERANS MEMORIAL DRIVE  
INTERCHANGE  
SECTION (41-3)HBK  
SCALE: NO SCALE  
DATE 3-22-07  
DRAWN BY RLT  
CHECKED BY MTM