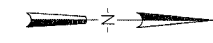


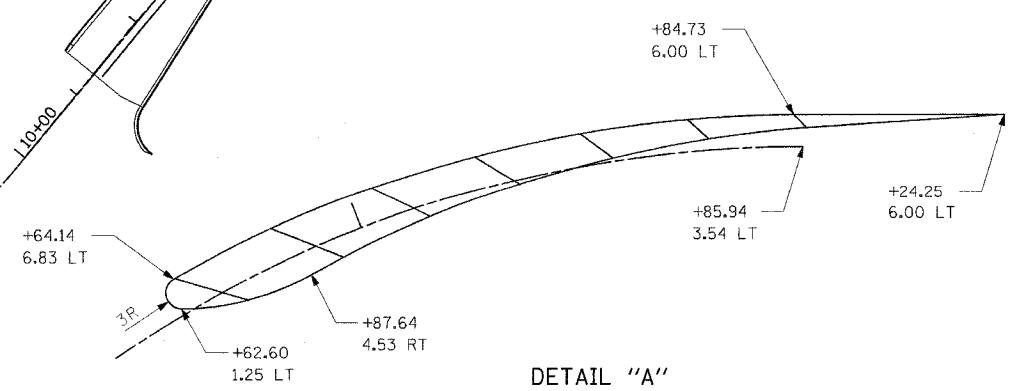
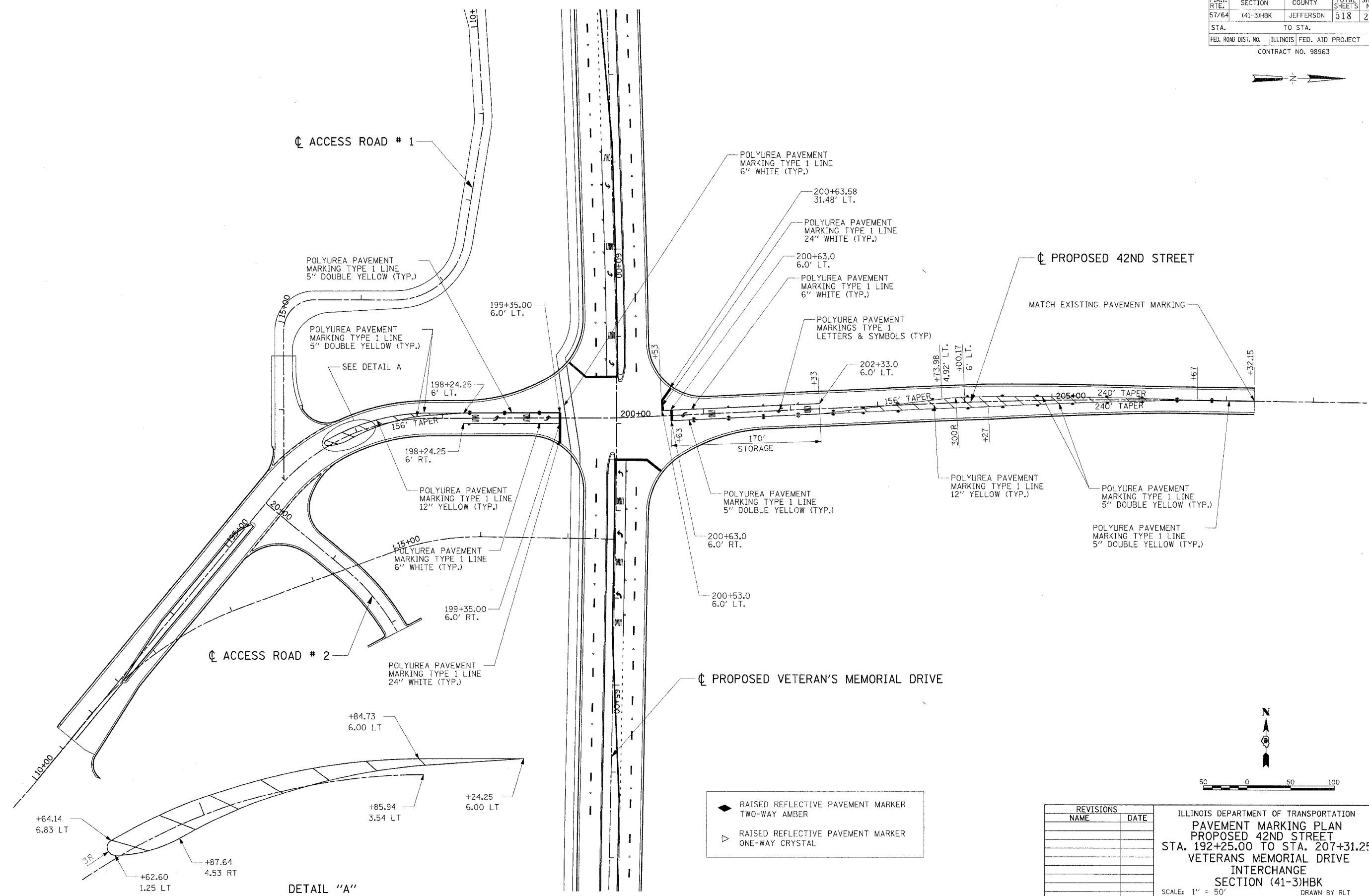
F.A.I. RTE.	SECTION	COUNTY	TOTAL SHEETS	SHEET NO.
57/64	(41-3)HBK	JEFFERSON	518	216
STA.	TO STA.			
FED. ROAD DIST. NO.	ILLINOIS	FED. AID PROJECT		
CONTRACT NO. 98963				



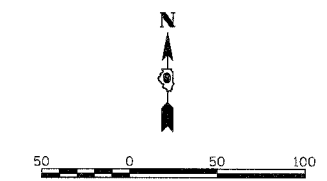
Copyright Hanson Professional Services, Inc. 2007
HANSON
 Hanson Professional Services Inc.

03/24/2007 10:24 AM
 A:\98 hbs\98s\2019a\Froad\Sheet\101_PML.dgn

LAYOUT	RLT	02/25/04
DRAWN	LEO	04/12/04
REVIEWED	MTM	03/22/07



- ◆ RAISED REFLECTIVE PAVEMENT MARKER TWO-WAY AMBER
- ▽ RAISED REFLECTIVE PAVEMENT MARKER ONE-WAY CRYSTAL



REVISIONS	
NAME	DATE

ILLINOIS DEPARTMENT OF TRANSPORTATION
PAVEMENT MARKING PLAN
PROPOSED 42ND STREET
STA. 192+25.00 TO STA. 207+31.25
VETERANS MEMORIAL DRIVE
INTERCHANGE
SECTION (41-3)HBK
 SCALE: 1" = 50'
 DATE 3-22-07
 DRAWN BY RLT
 CHECKED BY MTM