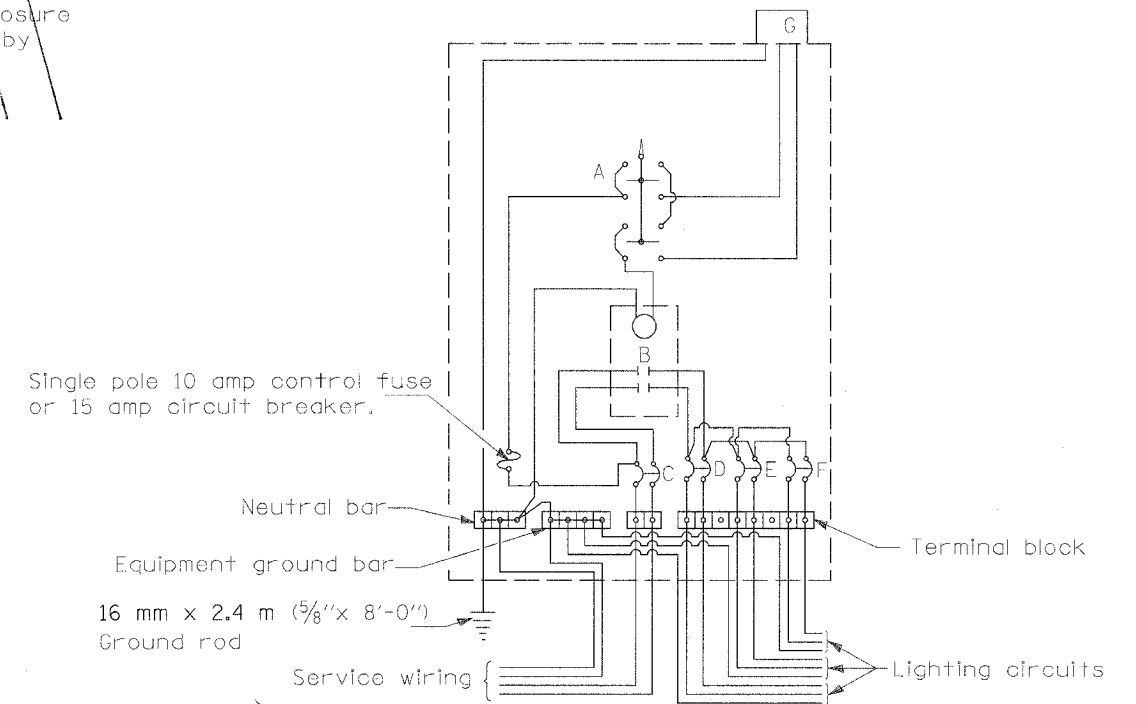


F.A.I. RTE.	SECTION	COUNTY	TOTAL SHEETS	SHEET NO.
57/64	(41-3)HKB	JEFFERSON	518	228
STA.		TO STA.		
FED. ROAD DIST. NO.		ILLINOIS FED. AID PROJECT		

- A Selector switch
- B 2 Pole 100 amp contactor
- C 2 Pole 60 amp service disconnect
- D,E,F 2 Pole 30 amp breakers
- G Photocell w/integral surge arrester



WIRING DIAGRAM

GENERAL NOTES

Locate service pole and control installation adjacent to R.C.W. line with a minimum distance of 9 m (30') from the edge of pavement. Exact location shall be established by the Engineer.

The underground service entrance wiring shall not exceed 46 m (150'). Total aerial and underground service between the control installation and primary transformer shall not exceed 76 m (250').

Raceways shall terminate 75 (3) above top of concrete foundation.

For 480 V. systems, a 480/120 V. control transformer will be required.

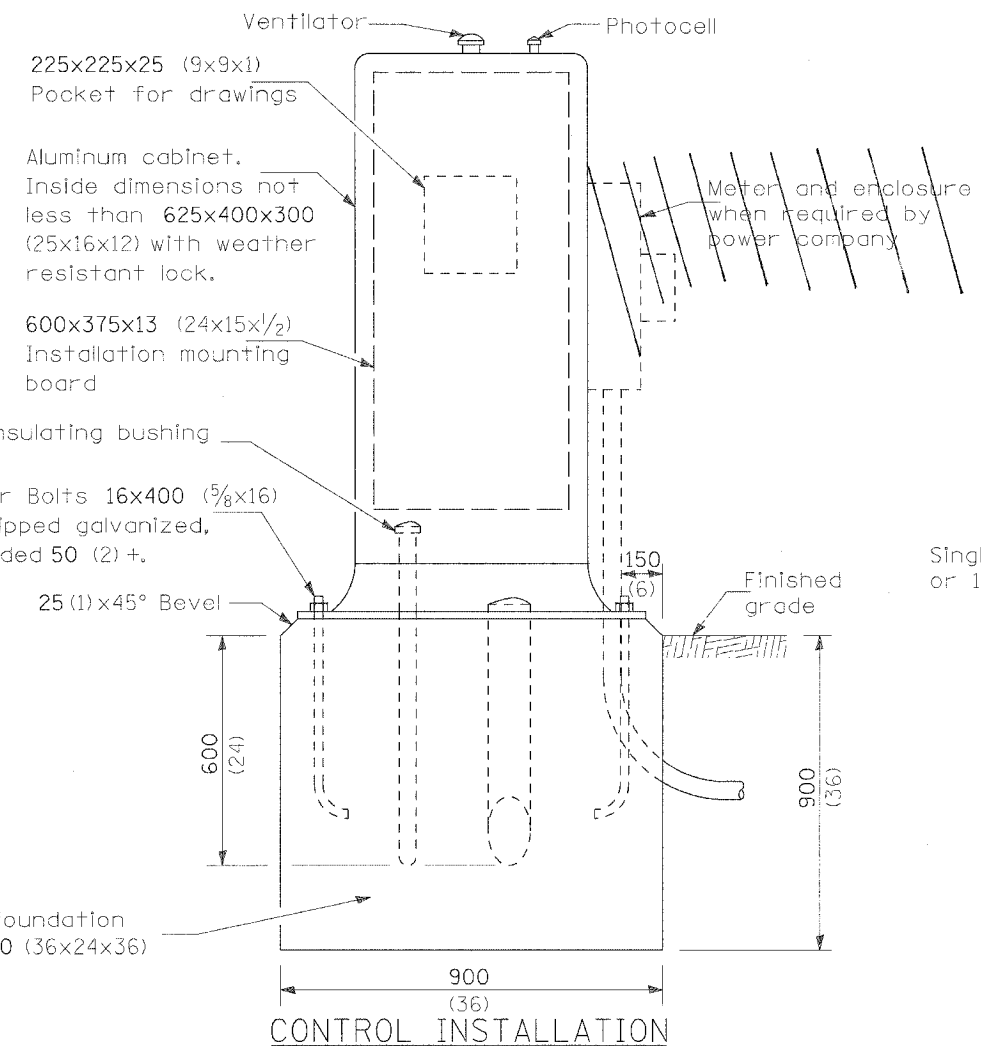
All dimensions are in millimeters unless otherwise shown.

- 240 V. SERVICE
- 480 V. SERVICE

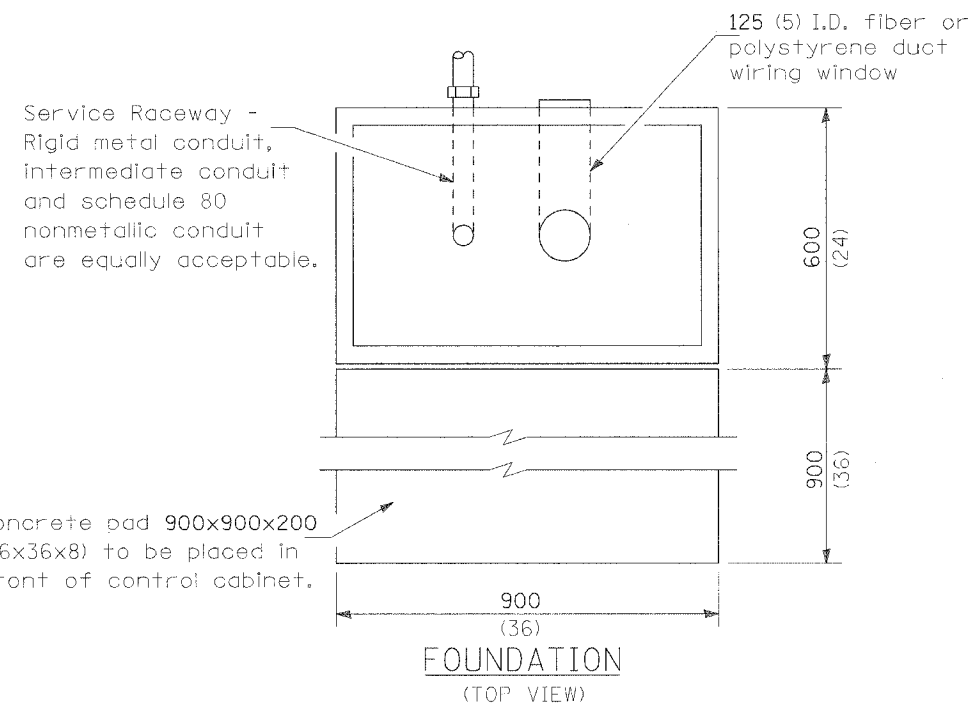
DATE	REVISIONS

CONTROL INSTALLATION TYPE CB-RCS-100

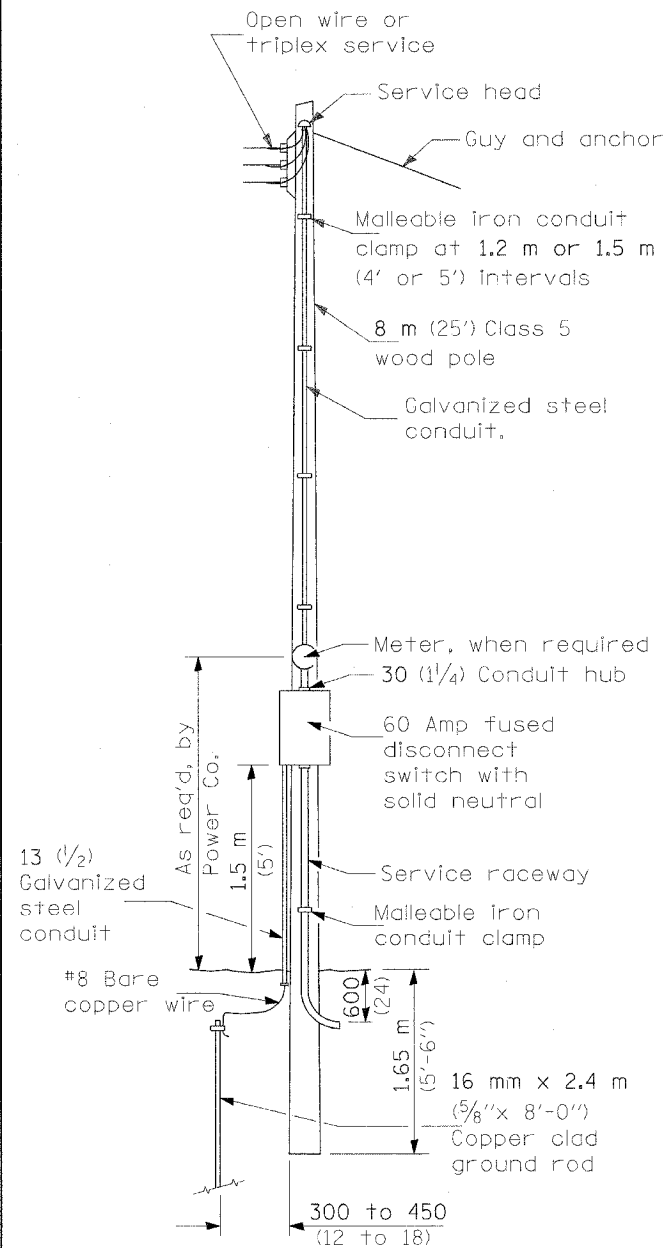
CONTROL INSTALLATION DETAIL



CONTROL INSTALLATION (FRONT VIEW)



FOUNDATION (TOP VIEW)



SERVICE POLE

Concrete foundation 900x600x900 (36x24x36)

Service Raceway - Rigid metal conduit, intermediate conduit and schedule 80 nonmetallic conduit are equally acceptable.

Concrete pad 900x900x200 (36x36x8) to be placed in front of control cabinet.