

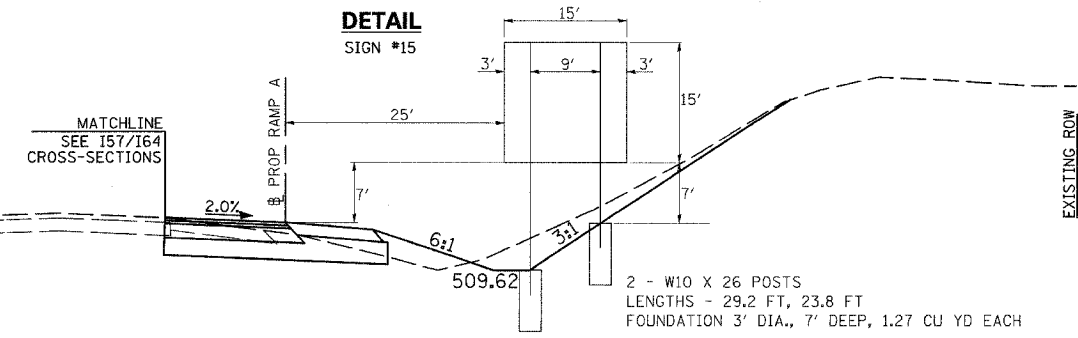
F.A.I. RTE.	SECTION	COUNTY	TOTAL SHEETS	SHEET NO.
57/64	(41-3)HBK	JEFFERSON	518	249
STA.		TO STA.		
FED. ROAD DIST. NO.		ILLINOIS FED. AID PROJECT		

SIGN NO. 15
STA 322+00 RT B RAMP A



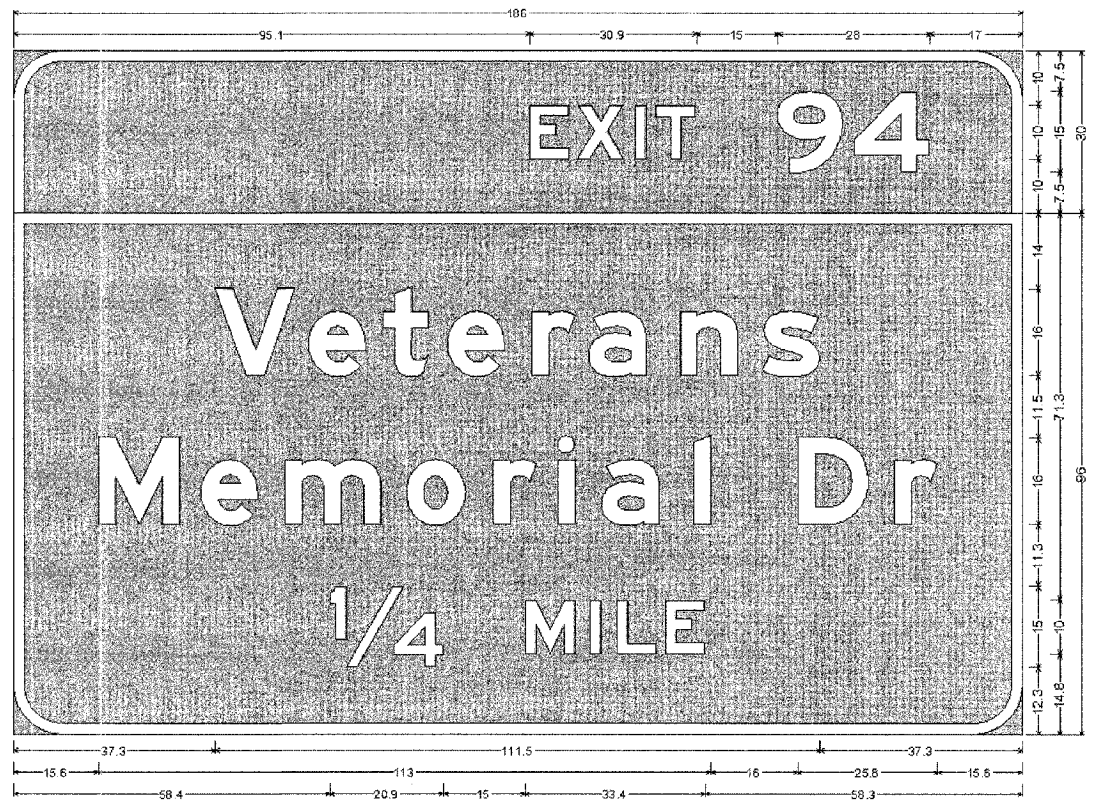
12.0" Radius, 2.0" Border, White on Green;
 "EXIT" E Mod 2K; "95" E Mod 2K;
 12.0" Radius, 2.0" Border, White on Green;
 "Mt Vernon" E Mod 2K; "Ashley" E Mod 2K; "V" E Mod 2K; "MILE" E Mod 2K;
 Table of widths and spaces.

E	X	I	T	S
78.3	7.4	1.4	5.6	2.1
2.0	1.9	7.4	15.0	12.1
3.1	12.3	18.4		
66.0 35.0 88.0				
M	t	V	e	r
19.4	14.9	3.6	3.4	16.0
14.6	2.5	10.5	5.0	3.0
3.9	10.5	6.0	10.9	4.8
10.6	19.4			
A	s	h	l	y
40.9	16.1	2.1	10.6	5.0
10.5	6.4	3.3	4.9	10.6
3.3	13.5	40.9		
1/4	M	I	L	E
48.1	20.9	18.0	9.4	2.8
1.9	2.9	7.4	1.5	7.4
48.3				



2 - W10 X 26 POSTS
 LENGTHS - 29.2 FT, 23.8 FT
 FOUNDATION 3' DIA., 7' DEEP, 1.27 CU YD EACH

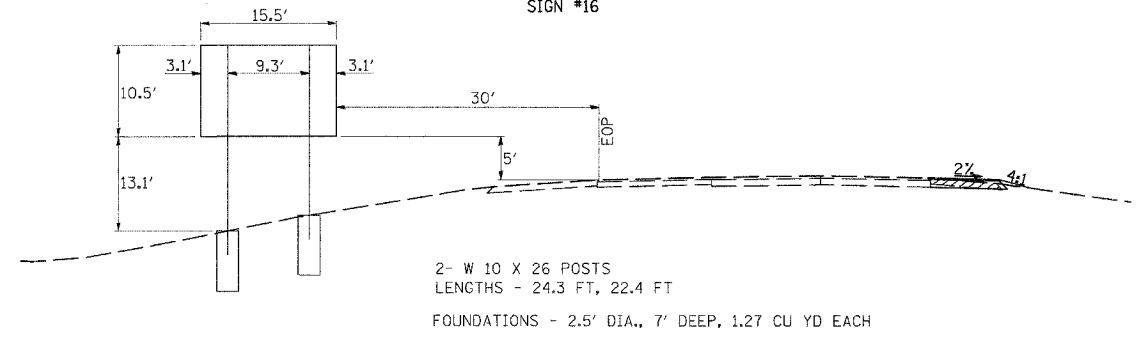
SIGN NO. 16
STA 759+00 LT C I57/164



9.0" Radius, 2.0" Border, White on Green;
 "EXIT" E Mod 2K; "94" E Mod 2K;
 9.0" Radius, 2.0" Border, White on Green;
 "Veterans Memorial Dr" E Mod 2K; "MILE" E Mod 2K;
 Table of letter and object lists.

E	X	I	T	S
95.8	104.5	115.4	119.1	141.5
156.9				
V	e	t	e	r
37.3	54.4	68.1	80.1	95.6
105.0	123.0	138.3		
M	e	m	o	r
15.6	24.5	50.0	72.6	89.5
100.3	109.5	125.4	144.8	162.4
1/4	M	I	L	E
58.4	94.4	106.4	111.3	120.3

DETAIL
SIGN #16



2 - W 10 X 26 POSTS
 LENGTHS - 24.3 FT, 22.4 FT
 FOUNDATIONS - 2.5' DIA., 7' DEEP, 1.27 CU YD EACH

PLOT DATE = 03/21/2007 10:05 AM
 FILE NAME = I:\98963\98963.dwg
 PLOT SCALE = 1/8" = 1'-0"
 USER NAME = hgt