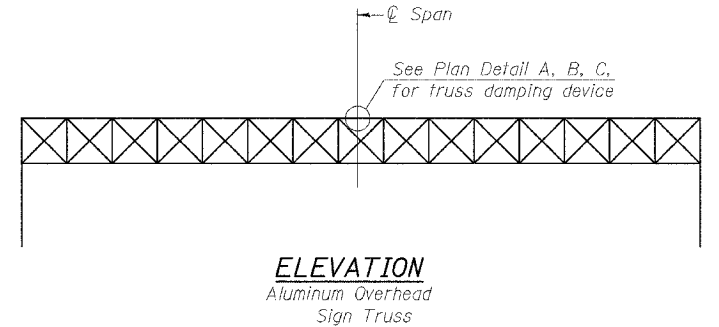
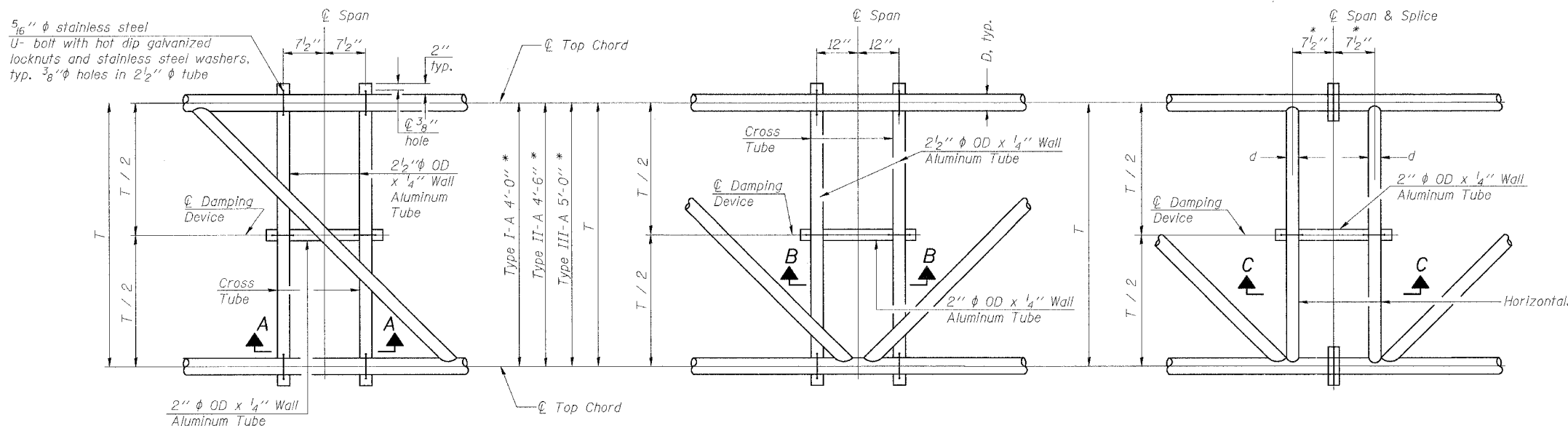


F.A.I. RTE.	SECTION	COUNTY	TOTAL SHEETS	SHEET NO.
57/64	(41-3)HBK	JEFFERSON		256
STA.		TO STA.		
FED. ROAD DIST. NO.	ILLINOIS	FED. AID PROJECT		

* Center of horizontal to center of splice dimension may vary. Verify before drilling holes in mounting tube.

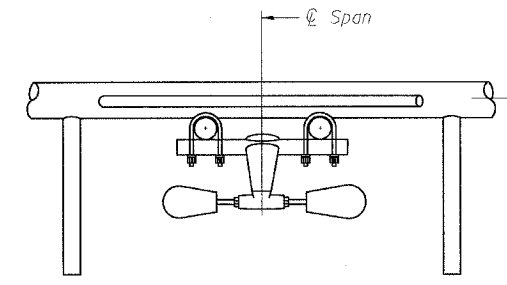


PLAN DETAIL "A"
Span between Panel Points

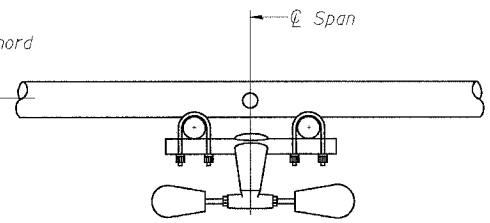
PLAN DETAIL "B"
Span at Panel Point

PLAN DETAIL "C"
Span at Chord Splice

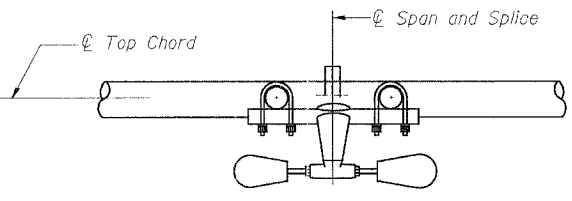
NOTES
 Damper: One damper per truss.
 (31 lbs. Stockbridge-Type Aluminum)
 Cost included in Overhead Sign Structure...
 Materials: Aluminum tubes shall be ASTM B221 alloy 6061 temper T6. Cost included in Overhead Sign Structure...



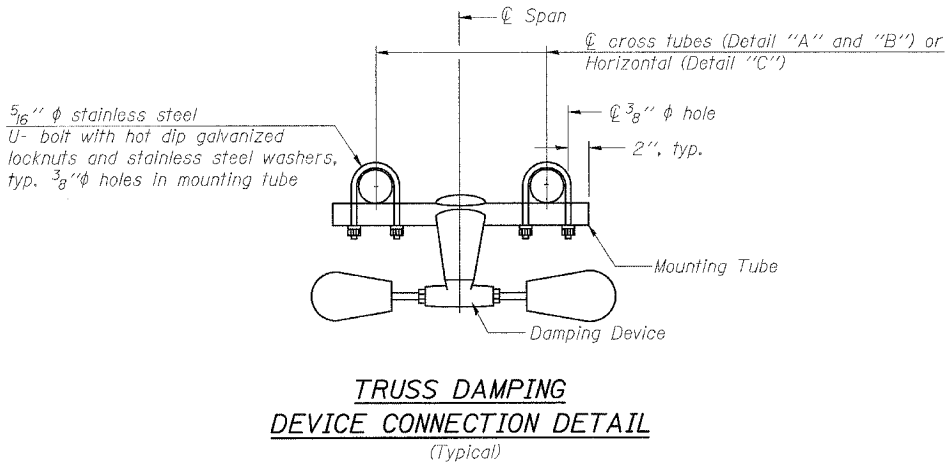
SECTION A-A



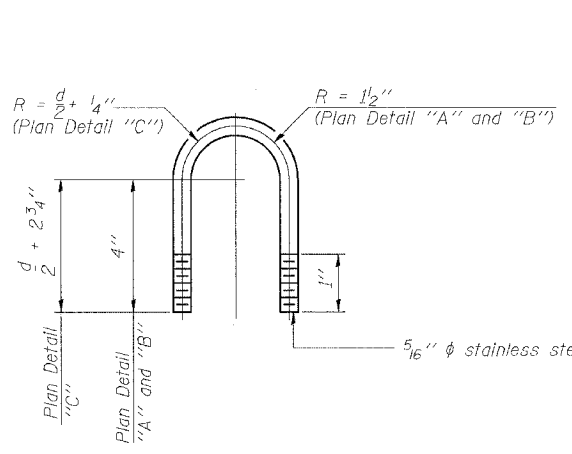
SECTION B-B



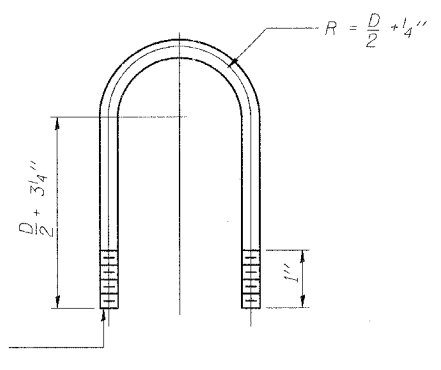
SECTION C-C



TRUSS DAMPING DEVICE CONNECTION DETAIL
(Typical)



DAMPING DEVICE MOUNTING TUBE U-BOLT DETAIL
(Typical)



TOP CHORD TO CROSS TUBE U-BOLT DETAIL
(Typical - Detail "A" and "B")

REVISIONS	
NAME	DATE

ILLINOIS DEPARTMENT OF TRANSPORTATION
OVERHEAD SIGN STRUCTURE DAMPING DEVICE
 SCALE: VERT. NONE
 HORIZ. DATE
 DRAWN BY
 CHECKED BY

PLOT DATE = 5/11/2007
 FILE NAME = c:\projects\road\consultant\vesand\ve\autos\supplied\info\98963\98963.dgn
 PLOT SCALE = 5/8" = 1'-0"
 USER NAME = hms1c1f