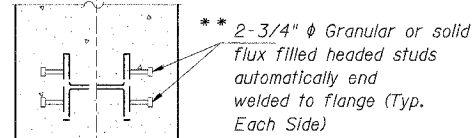
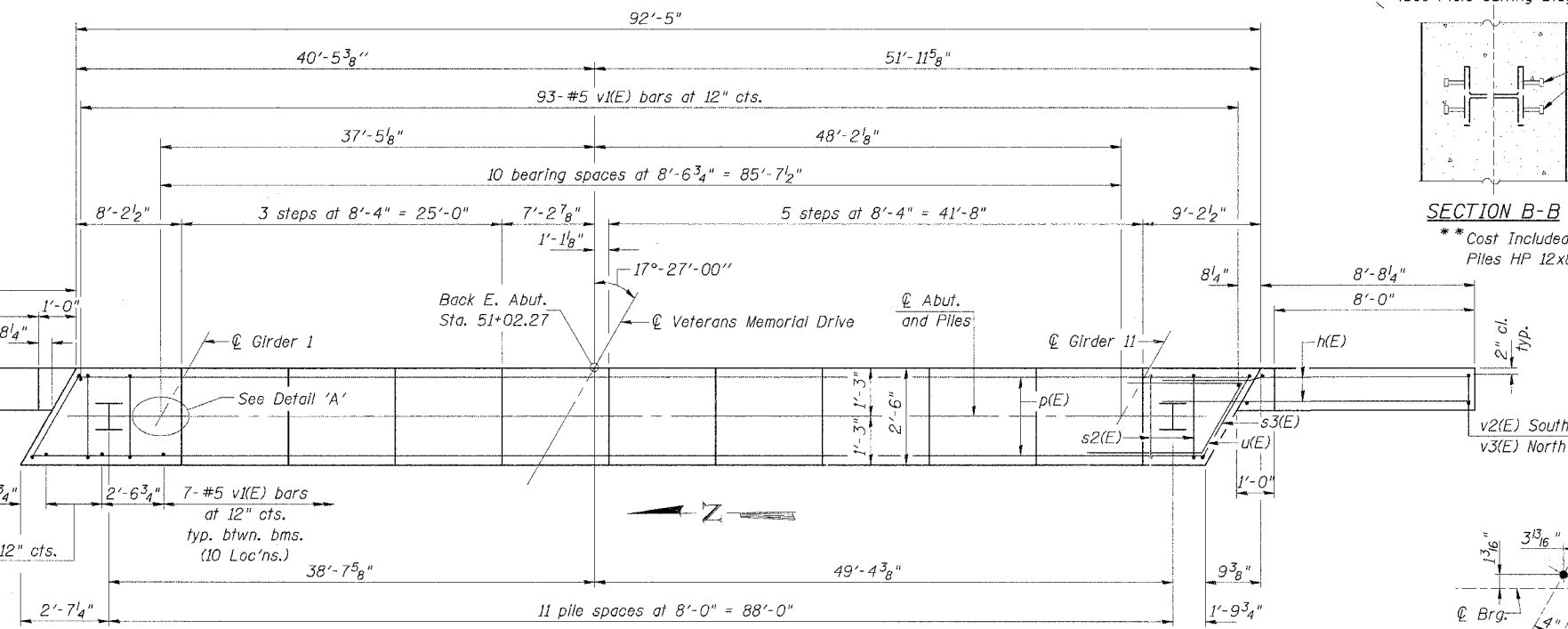
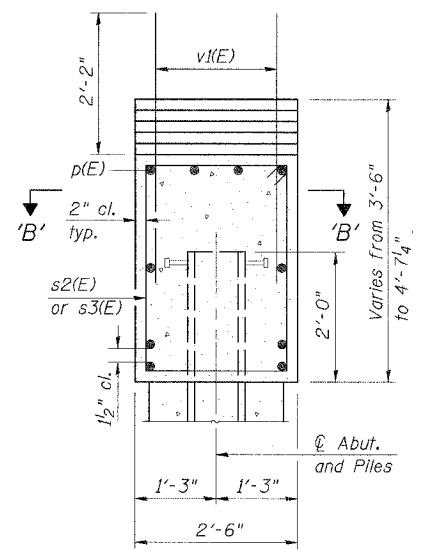
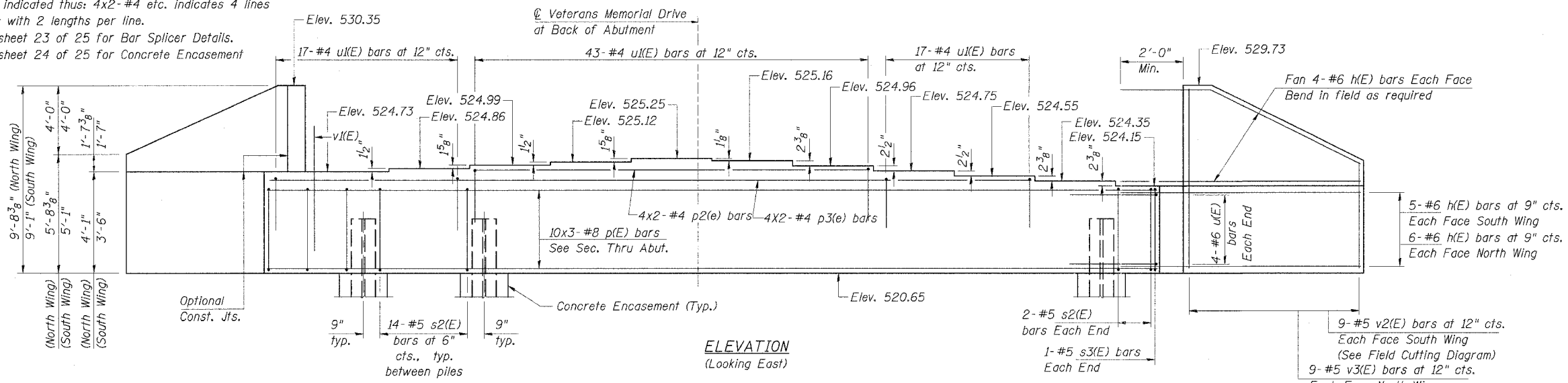


F.A.I. RTE.	SECTION	COUNTY	TOTAL SHEETS	SHEET NO.
57/64	(41-3)HBK	JEFFERSON	518	233
STA.	TO STA.			
FED. ROAD DIST. NO.	ILLINOIS	FED. AID PROJECT		
CONTRACT NO. 98963				

Sheet 20 of 25

**Notes:**  
 Pour steps monolithically with cap.  
 Space reinforcement in cap to miss anchor bolts.  
 Bars indicated thus: 4x2-#4 etc. indicates 4 lines of bars with 2 lengths per line.  
 See sheet 23 of 25 for Bar Splicer Details.  
 See sheet 24 of 25 for Concrete Encasement Details.

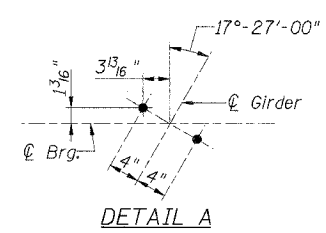


**SECTION THRU ABUTMENT**  
 (Dimensions at Rt. L's)

**BILL OF MATERIAL**

Bar	No.	Size	Length	Shape
h(E)	38	#6	12'-0"	
p(E)	30	#8	34'-1"	
p2(E)	8	#4	21'-9"	
p3(E)	8	#4	10'-0"	
s2(E)	158	#5	11'-7"	□
s3(E)	2	#5	11'-9"	□
u(E)	8	#6	11'-2"	┌
u(E)	77	#4	6'-6"	┌
v(E)	167	#5	4'-4"	
v2(E)	9	#5	13'-5"	
v3(E)	9	#5	14'-10"	
Concrete Structures	Cu. Yd.	38.2		
Reinforcement Bars, Epoxy Coated	Pound	7010		
Structure Excavation	Cu. Yd.	234		
Furnishing Steel Piles HP12x84	Ft.	495		
Driving Piles	Ft.	495		
Test Pile Steel HP12x84	Each	1		
Pile Shoes	Each	12		
Concrete Encasement	Cu. Yd.	4.2		

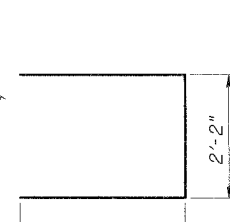
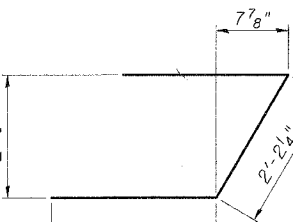
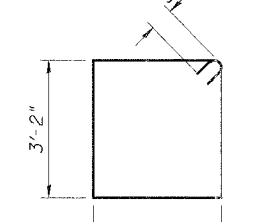
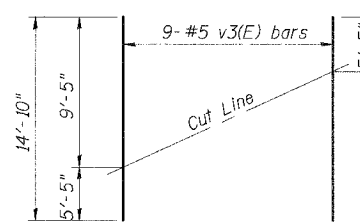
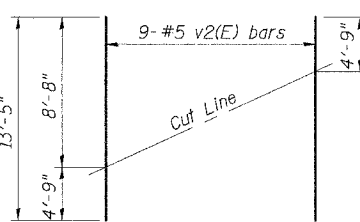
**MIN. BAR LAPS**  
 #4 bar - 1'-11"  
 #8 bar - 5'-1"



**PILE DATA**

Type: Steel - HP12x84 (w/ Pile Shoes)  
 Nominal Required Bearing : 664 kips  
 Allowable Resistance Factor: 161 kips  
 Est. Length: 45 ft.  
 No. of Production Piles: 11  
 No of Test Piles: 1

Piles shall be driven through 18 in. diameter precored holes extending to natural ground according to Article 512.09(c) of the Standard Specifications.  
 Cost included in driving piles.



**FIELD CUTTING DIAGRAM SOUTH WING**

**FIELD CUTTING DIAGRAM NORTH WING**

**BARS s2(E) & s3(E)**

**BAR u(E)**

**BAR u(E)**

Order v2(E) full length. Cut as shown and use remainder of bars in opposite face.

Order v3(E) full length. Cut as shown and use remainder of bars in opposite face.

**EAST ABUTMENT**  
 VETERANS MEMORIAL DR. over F.A.I. ROUTES 57/64  
 SECTION (41-3)HBK  
 JEFFERSON COUNTY  
 STATION 49+72.27  
 STRUCTURE NO. 041-0108

March 2007 Submittd  
 03/20/2007 10:50 AM  
 I:\98\Info\98\2019\Struct\Sheet\Final Plans\_03-18-07\F.P.020.sht  
 LAYOUT MM 03/12/07  
 DRAWN DAB 03/12/07  
 REVIEWED I /  
 LAYOUT CHR 02/02/04  
 DRAWN DAP 02/02/04  
 REVIEWED TEH 02/02/04