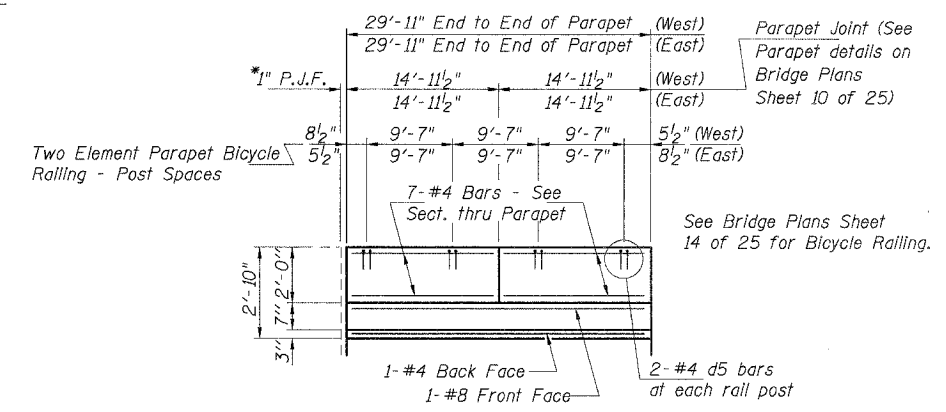
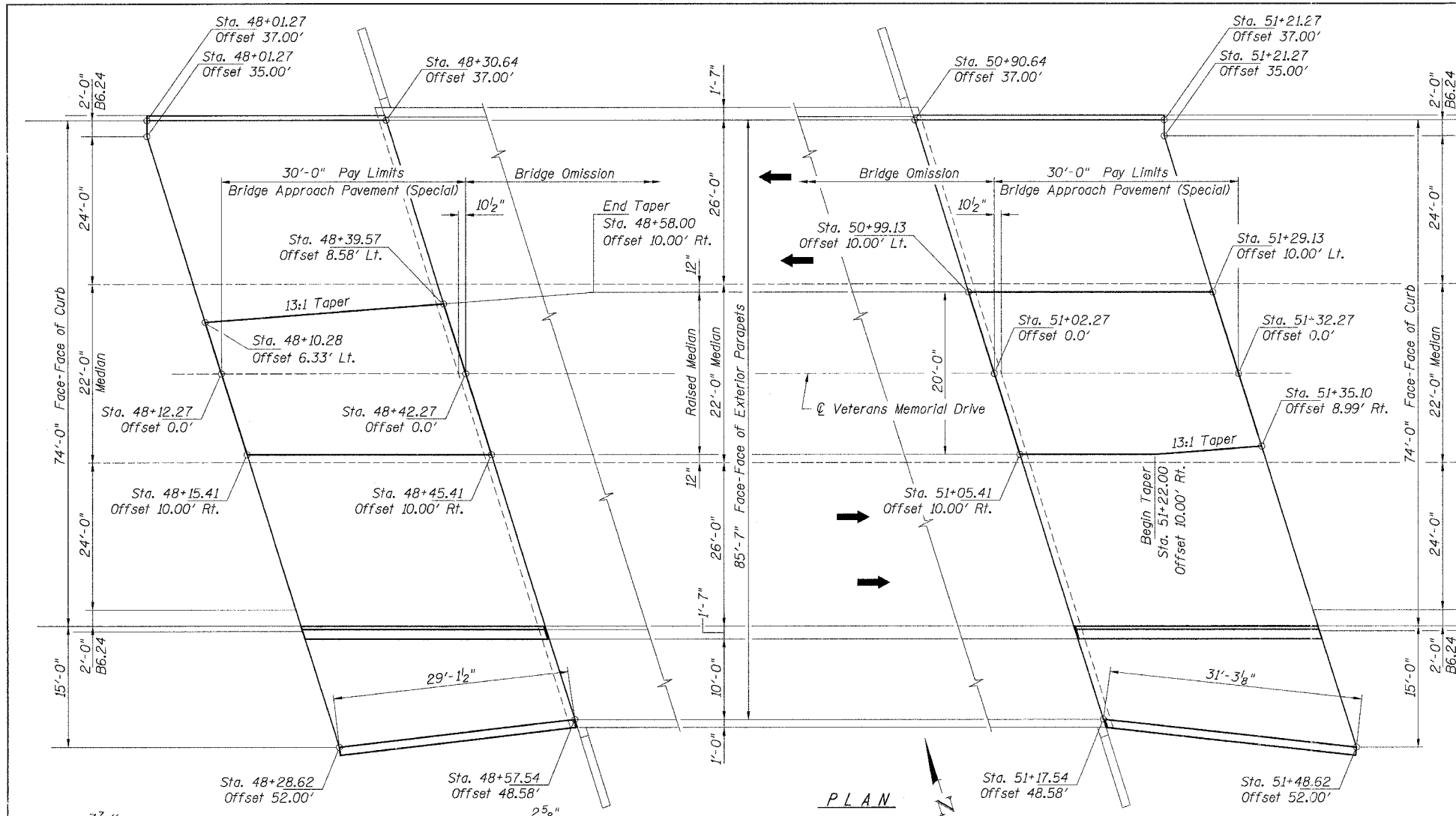
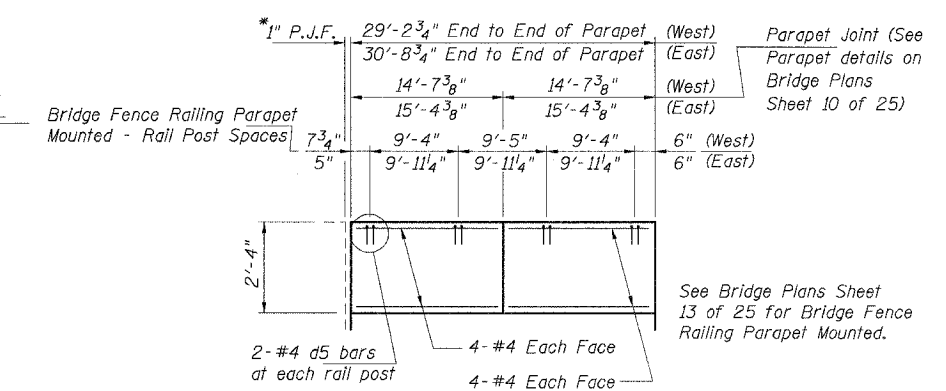


| | | | | |
|---------------------|-----------|-----------|------------------|-----------|
| F.A.I. SHEET NO. | SECTION | COUNTY | TOTAL SHEETS | SHEET NO. |
| 57/64 | (41-3)HBK | JEFFERSON | 518 | 296 |
| STA. | TO STA. | | | |
| FED. ROAD DIST. NO. | | ILLINOIS | FED. AID PROJECT | |
| CONTRACT NO. 98963 | | | | |



Note:
 All dimensions are measured along back face of parapets.



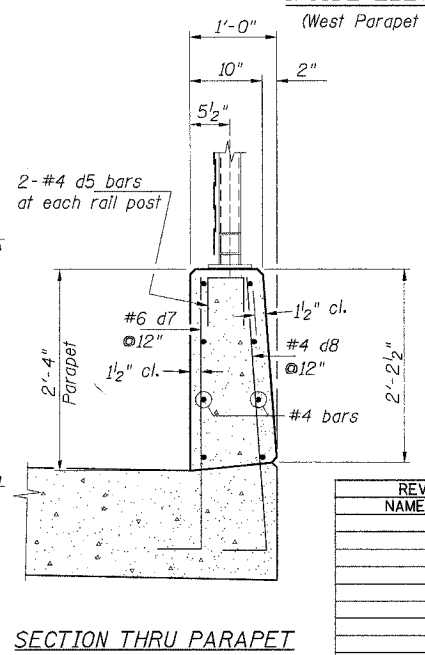
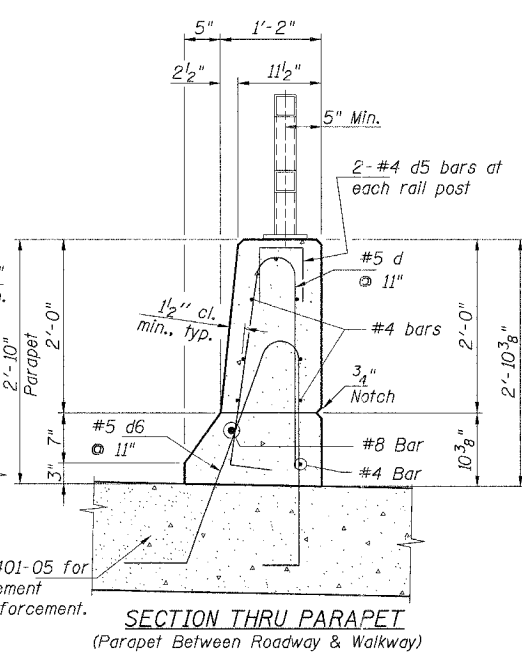
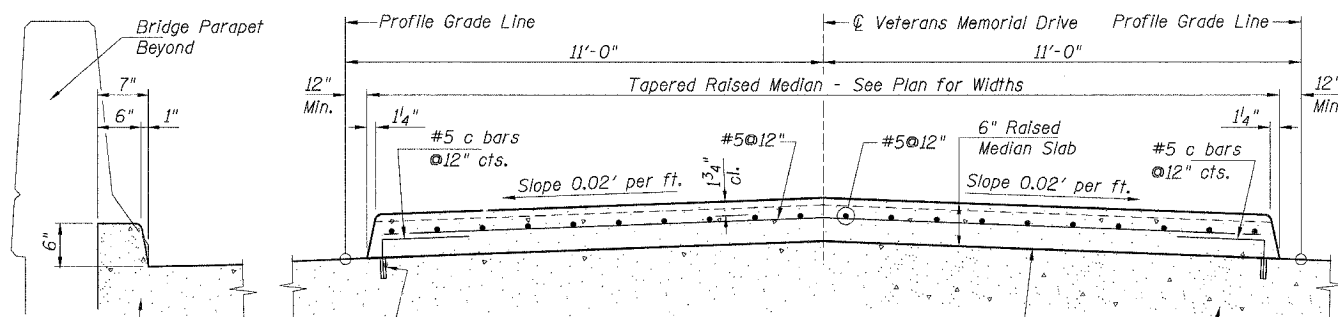
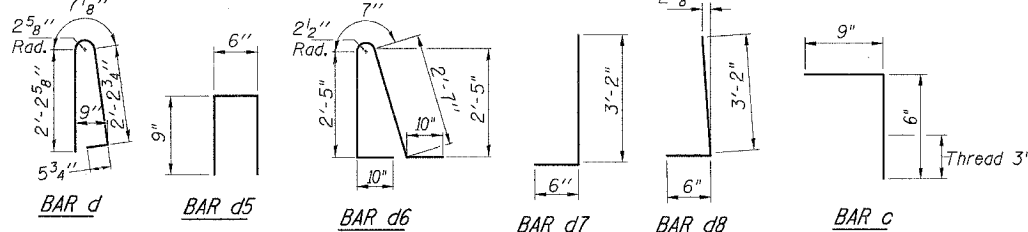
Notes:
 The cost of, W.B. Curb, Raised Median, Roadway Parapet, Walkway Parapet, and reinforcement bars shown shall be included with the cost for 30'-0" Approach Pavement (Special).
 All Parapet and Median Reinforcement shall be Epoxy Coated.

BILL OF MATERIAL

| Item | Unit | Quantity |
|------------------------------------|---------|----------|
| Bicycle Railing | Foot | 58 |
| Bridge Fence Railing | Foot | 58 |
| Bridge Approach Pavement (Special) | Sq. Yd. | 593 |

| REVISIONS | |
|-----------|------|
| NAME | DATE |
| | |
| | |

ILLINOIS DEPARTMENT OF TRANSPORTATION
APPROACH PAVEMENT DETAILS SHEET
VETERANS MEMORIAL DRIVE INTERCHANGE SECTION (41-3)HBK
 SCALE: DATE 3-22-07 DRAWN BY RLT CHECKED BY MTM



3/21/2007
 1:988.085.986:2019aRoadSheetAC-601-bapad.rvt

SECTION THRU APPR. CURB
 (At Exterior Curb West Bound Lanes)

SECTION THRU RAISED MEDIAN

SECTION THRU PARAPET
 (Parapet Between Roadway & Walkway)

SECTION THRU PARAPET
 (Exterior Parapet at Walkway)