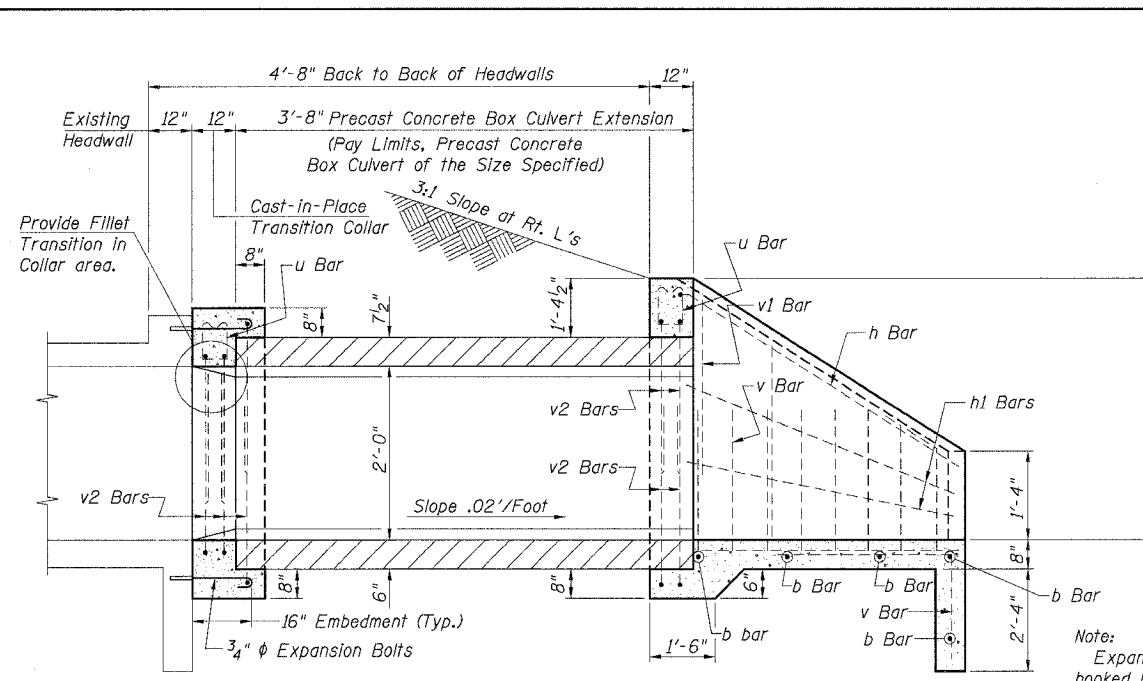
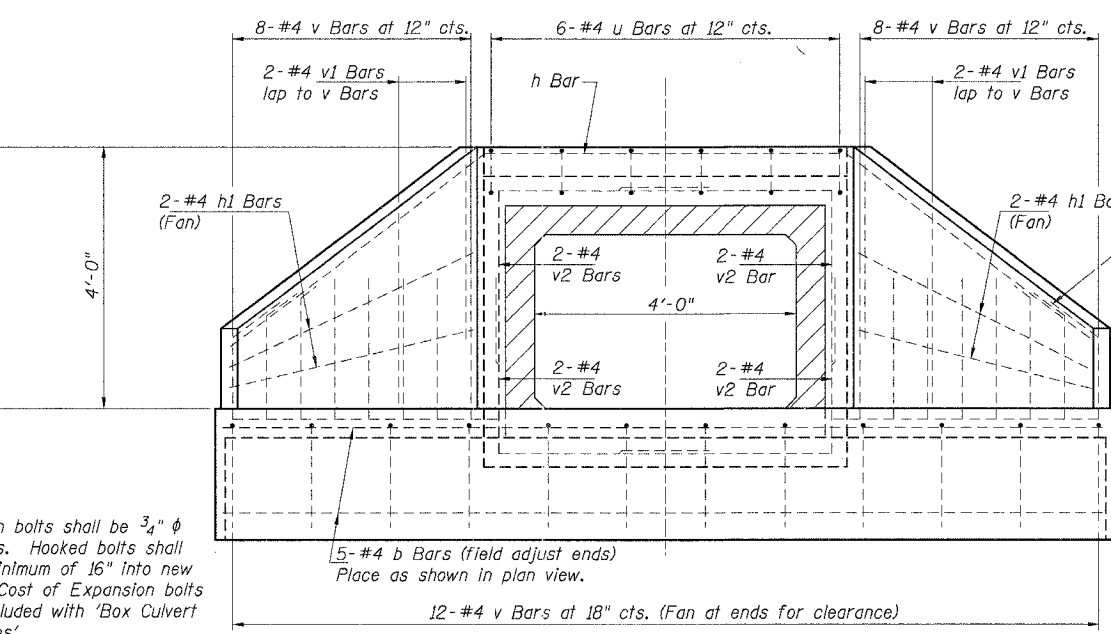


F.A.I. RTE.	SECTION	COUNTY	TOTAL SHEETS	SHEET NO.
57/64	4L-3H8K	JEFFERSON	318	297
STA.	TO STA.			
FED. ROAD DIST. NO.	ILLINOIS	FED. AID PROJECT		
CONTRACT NO. 98963				

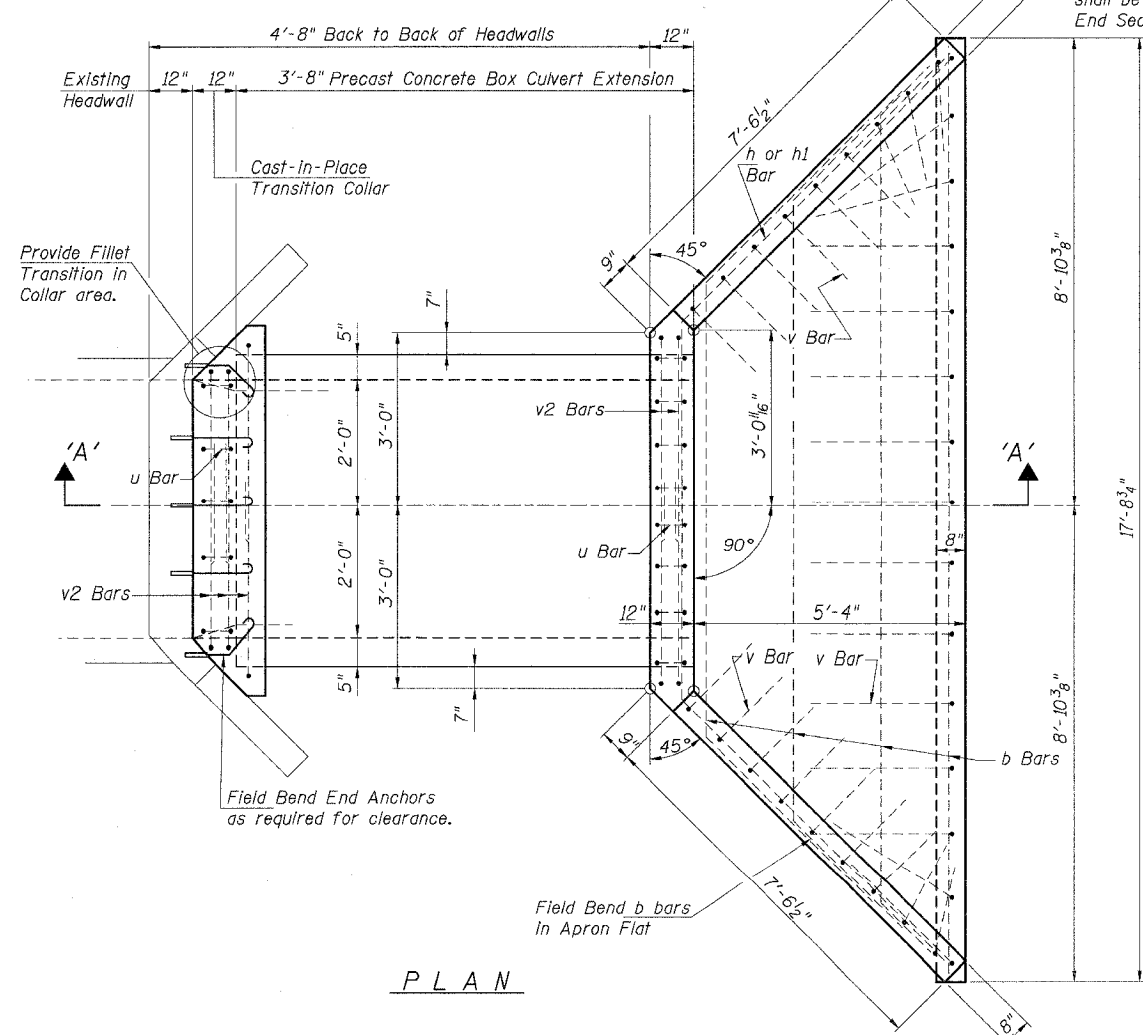


SECTION 'A'-A'
(Along C of Culvert)

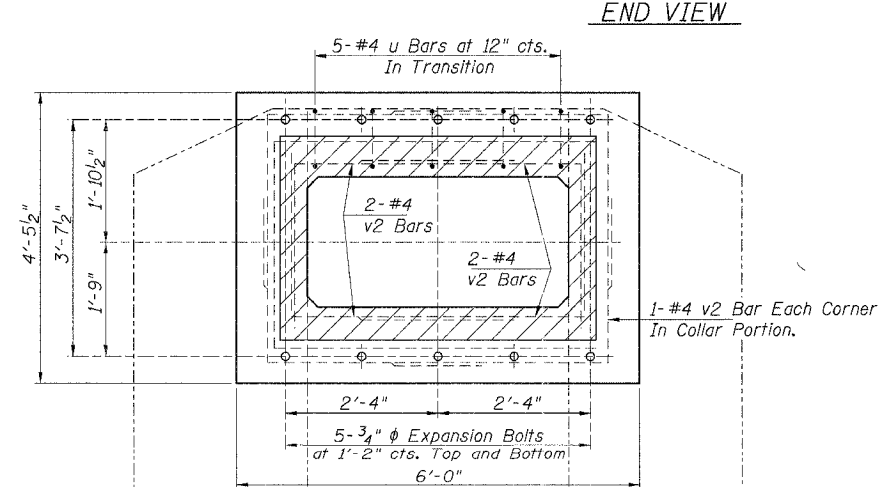
Note:
Expansion bolts shall be 3/4" ϕ hooked bolts. Hooked bolts shall extend a minimum of 16" into new concrete. Cost of Expansion bolts shall be included with 'Box Culvert End Sections'.



END VIEW



PLAN



END ELEVATION VIEW
(At existing Culvert Showing Transition Collar)

REINFORCEMENT TABLE
(One End Section)

Bar	No.	Size	Length	Shape
b	5	#4	17'-3"	—
h	1	#4	22'-4"	∩
h1	4	#4	7'-8"	—
u	11	#4	3'-5"	⊔
v	28	#4	5'-3"	—
v1	4	#4	3'-1"	—
v2	20	#4	6'-2"	—

GENERAL NOTES

Build tops of headwalls parallel to grade line.
If embankment slope above headwall is flatter than 2:1, provide wings for 2:1 slope.

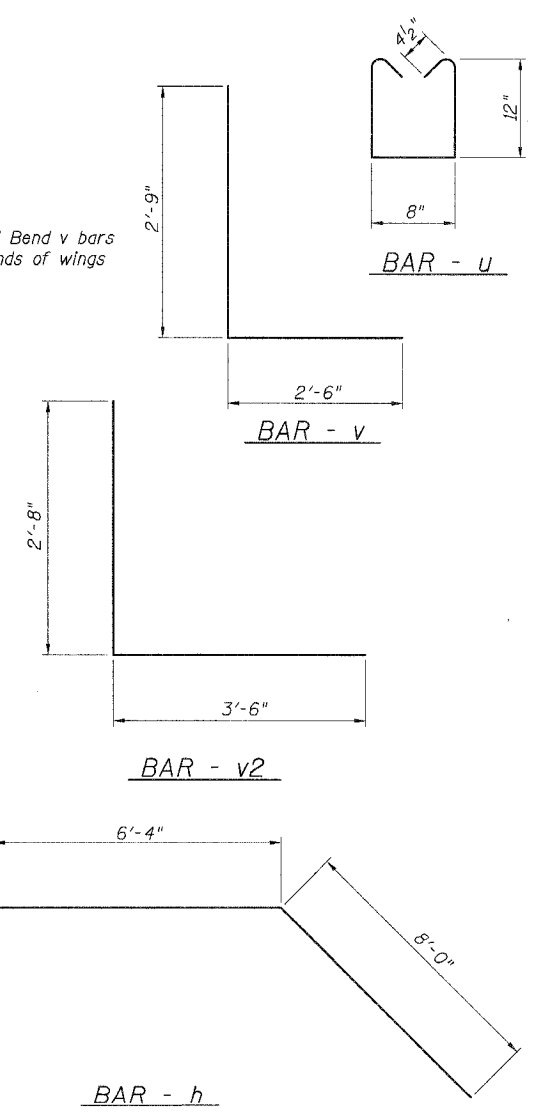
Reinforcing shapes shown, may be either shop or field formed.

The following quantities are for 1 (one) Concrete End Section with Transition Collar, and are for estimation purposes only. The end section shall be paid for at the unit price each for 'Box Culvert End Sections' of the size specified and shall include the cost of concrete and steel reinforcement.

- Concrete for End section = 4.6 Cu. Yds.
- Reinforcement for End Section = 250 Lbs.
- Concrete for Transition Collar = 0.8 Cu. Yds.
- Reinforcement for Transition Collar = 60 lbs.

The cost for Transition Collar quantities shall be included in the unit price for 'Box Culvert End Sections'

For construction requirements, See Section 540 of the Illinois Department of Transportation, Standard Specifications for Road and Bridge Construction.



REINFORCED CONCRETE END SECTION FOR PRECAST BOX CULVERT
24" HIGH x 48" WIDE
STATION 74+13.88

© Copyright Hanson Professional Services Inc. 2007



JOB NO.
98S2019A
DATE
03-14-07

March 2007 Submittal
 3/21/2007
 A:\08\055\3882019A\Struct\Final Plans\03-18-06\FPCulvert-End 7413.88.rvt
 LAYOUT: MHW 03/27/07
 DRAWN: DIS 03/27/07
 REVIEWED: 7/7/07
 Rev: 05/20/04
 Rev: 05/20/04
 REVIEWED: GSR 05/20/04