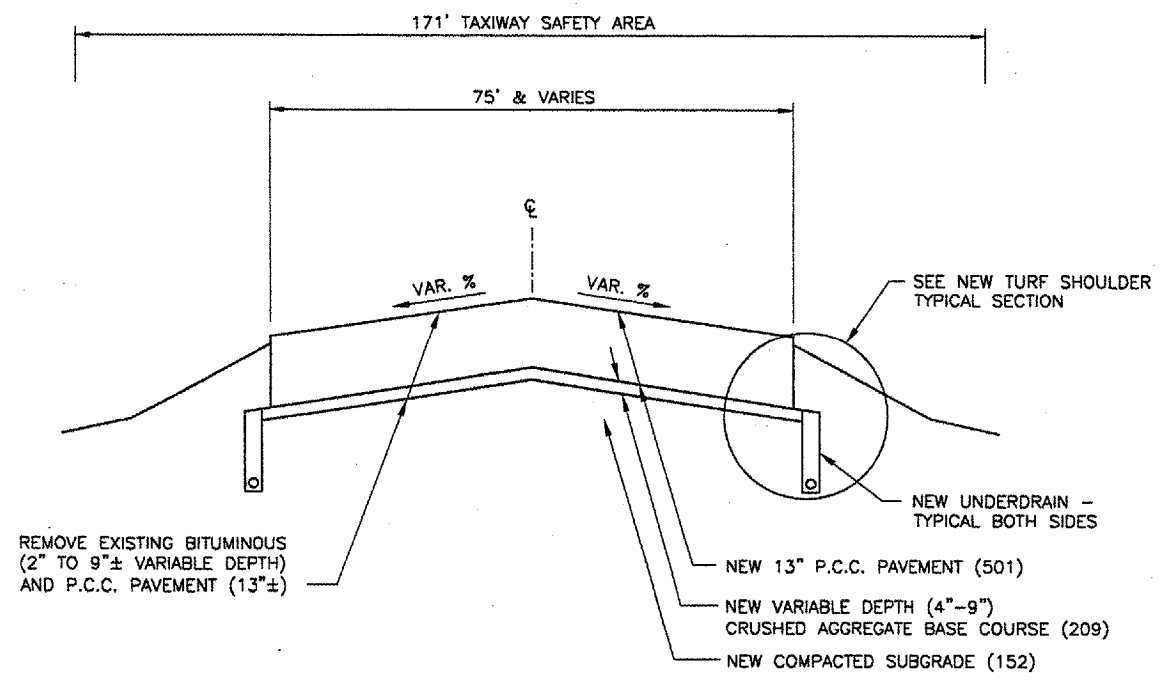
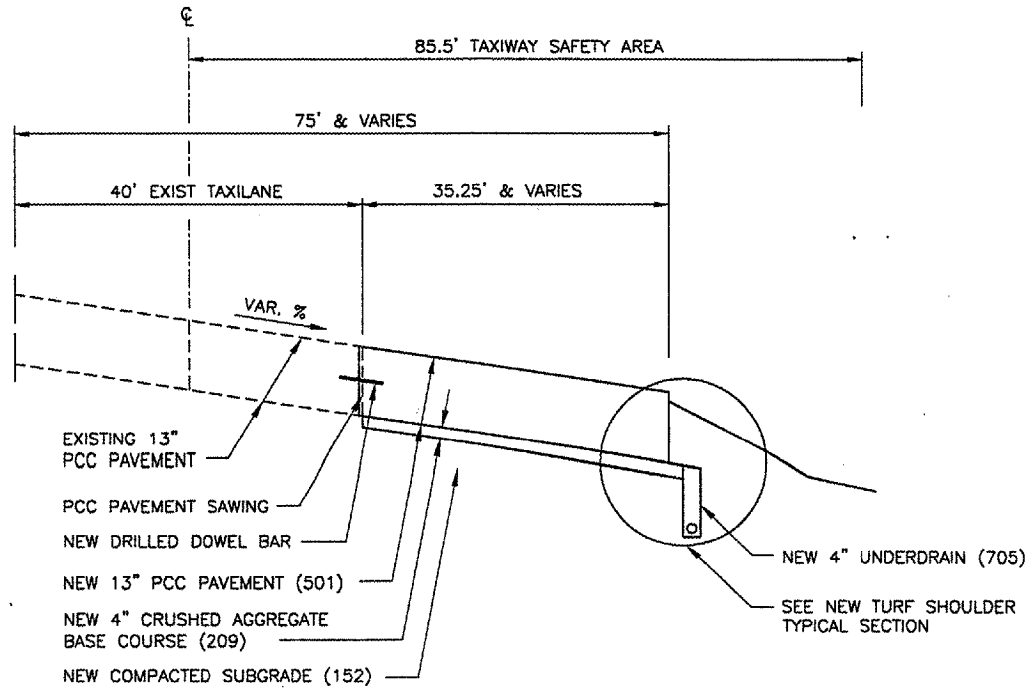


A CONNECTING TAXIWAY F WIDENING **A**
 N.T.S.

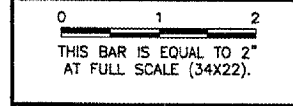



B CONNECTING TAXIWAY F REPLACEMENT & WIDENING **B**
 N.T.S.



C PARALLEL TAXIWAY G WIDENING **C**
 N.T.S.


REVISIONS		
NUMBER	BY	DATE

SPRINGFIELD AIRPORT AUTHORITY
ABRAHAM LINCOLN CAPITAL AIRPORT
SPRINGFIELD, ILLINOIS

WIDEN TAXIWAY F
 TYPICAL SECTIONS 1

© Copyright CMT, Inc.



CMT
 CRAWFORD, MURPHY & TILLY, INC.
 CONSULTING ENGINEERS
 License No. 84-000618

DESIGN BY:	RLV
DRAWN BY:	CMT
CHECKED BY:	<i>RLV</i>
APPROVED BY:	<i>RLV</i>
DATE:	AUGUST 07, 2007
JOB No:	07035-02-00