

**POROUS FRICTION COURSE NOTES**

THE PROPOSED POROUS FRICTION COURSE WILL BE CONSTRUCTED IN ONE LAYER, HAVING A COMPACTED NOMINAL THICKNESS OF 0.10 FOOT.

POROUS FRICTION COURSE SHALL BE PLACED ON A CLEAN AND PREPARED SURFACE ONLY AFTER THE APPROVAL OF THE RESIDENT ENGINEER.

POROUS FRICTION COURSE WILL BE CONSTRUCTED IN THE LOCATIONS SHOWN ON THE CONSTRUCTION PLANS AND IN ACCORDANCE WITH THE SPECIAL PROVISIONS.

THE CONTRACTOR WILL ONLY BE ALLOWED TO USE A TRACK PAVING MACHINE FOR PLACEMENT OF THE POROUS FRICTION COURSE.

ONLY TANDUM TRUCKS WILL BE ALLOWED FOR THIS PROJECT.

IF THE EXISTING PAVEMENT SHOWS SIGNS OF DISTRESS UNDER LOAD, THE TANDUM TRUCKS WILL BE REDUCED TO HALF LOADS AT THE RESIDENT ENGINEER'S DISCRETION.

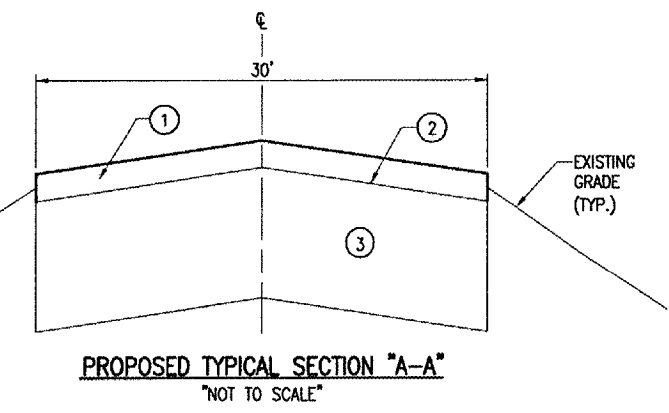
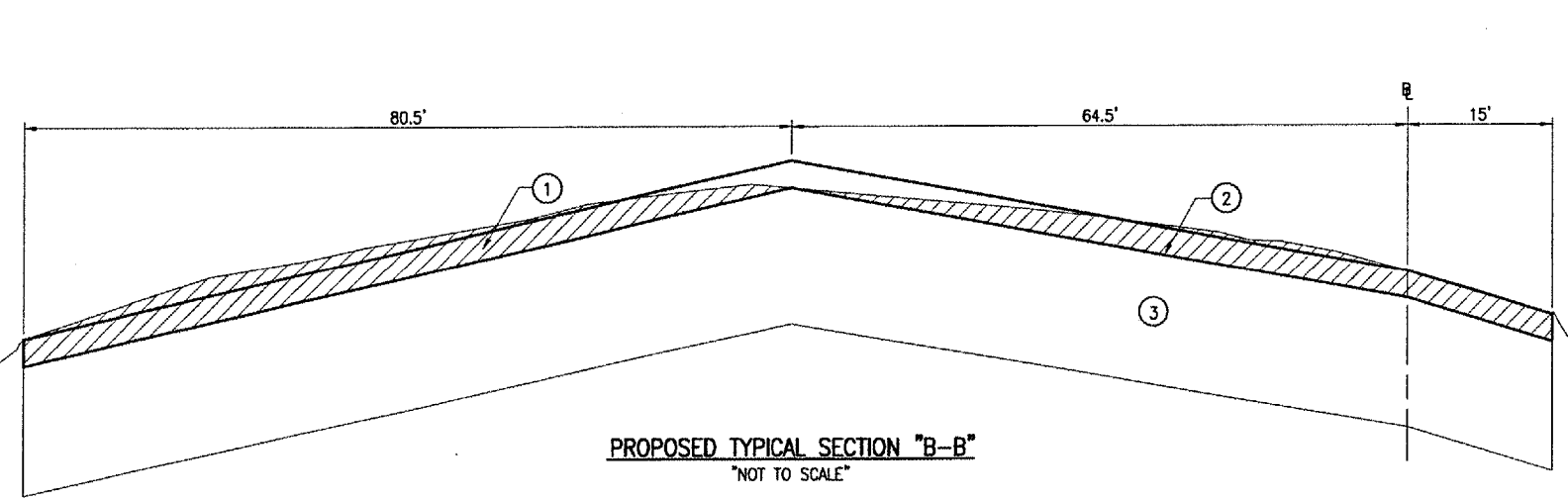
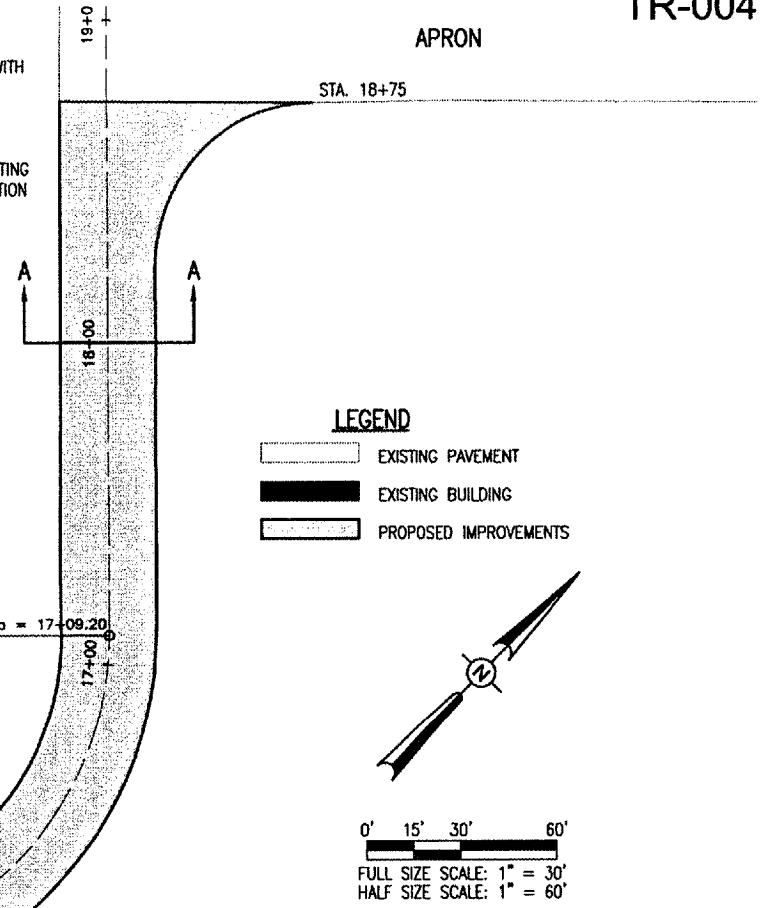
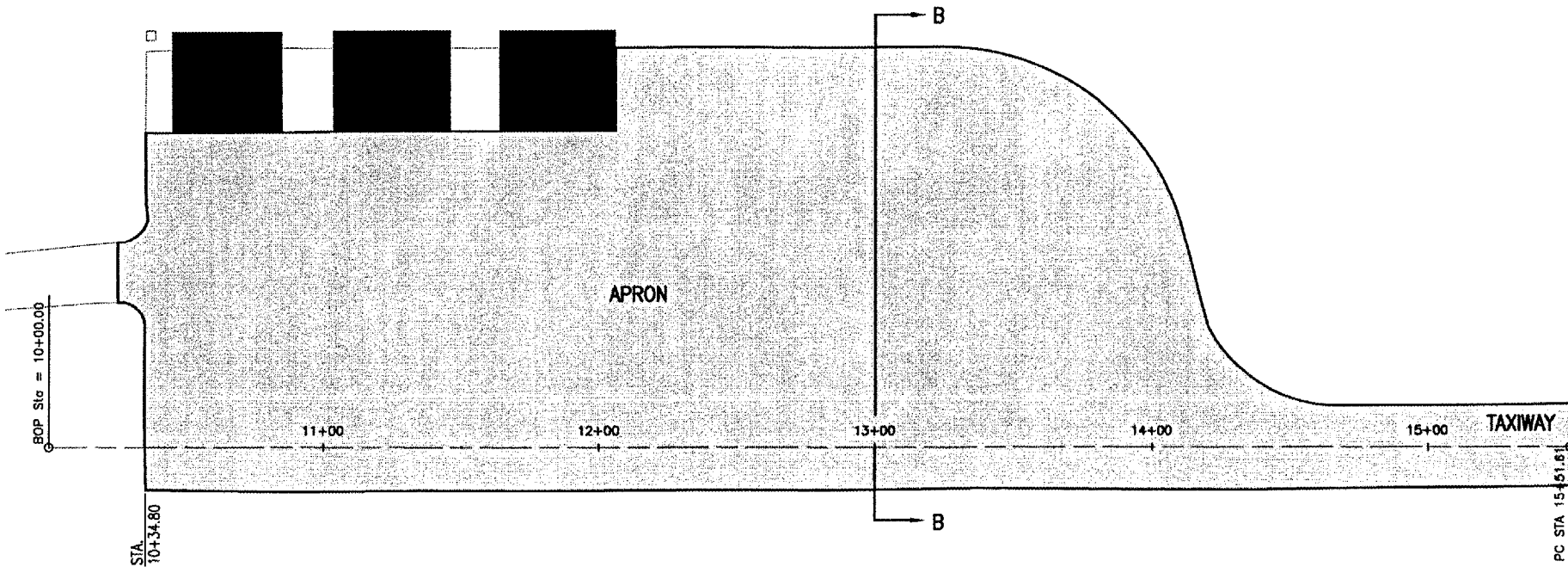
SUMMARY OF QUANTITIES				
ITEM	DESCRIPTION	UNIT	TOTAL QUANTITIES	AS BUILT QUANTITIES
AR402622	POROUS FRICTION COURSE, 0.10'	S.Y.	7,685	
AR603510	BITUMINOUS TACK COAT	GAL.	2,306	

**603-BITUMINOUS TACK COAT NOTES**

THE BITUMINOUS TACK COAT (603) SHALL BE PLACED IN ACCORDANCE WITH ITEM AR603 "BITUMINOUS TACK COAT" AS STATED ON PAGE 62 OF THE SUPPLEMENTAL SPECIFICATIONS AND RECURRING SPECIAL PROVISIONS, ADOPTED JULY 1, 2004.

THE PROPOSED BITUMINOUS TACK COAT SHALL BE PLACED ON THE EXISTING BITUMINOUS PAVEMENT PRIOR TO THE PLACEMENT OF THE POROUS FRICTION COURSE. THE PROPOSED BITUMINOUS TACK COAT WILL BE PAID FOR UNDER ITEM:

AR603510 "BITUMINOUS TACK COAT" - PER GALLON



**PROPOSED LEGEND FOR TYPICAL SECTIONS "A-A" AND "B-B"**

- ① PROPOSED 402 - POROUS FRICTION COURSE (0.10' DEPTH)
- ② PROPOSED 603 - BITUMINOUS TACK COAT (0.25 GAL./S.Y.)
- ③ EXISTING 6" BITUMINOUS PAVEMENT
- ▨ PROPOSED BITUMINOUS PAVEMENT MILLING

BY	REVISION	DATE

TRI-TOWNSHIP AIRPORT  
SAVANNA, CARROLL COUNTY  
ILLINOIS

Hanson Project No. 02607XXD.0800	
Filename: R-121CON.DWG	
Scale: 1" = 30'	
Date: 04/04/07	
LAYOUT	CCC 04/02/07
DRAWN	CCC 04/04/07
REVIEWED	CAH 06/12/07

**HANSON**  
Hanson Professional Services Inc.  
1525 South Sixth Street  
Springfield, Illinois 62703-2888  
Offices Nationwide

OVERLAY HANGAR  
APRON AND TAXIWAY  
PROPOSED  
CONSTRUCTION  
PLAN

AL: 24, 2007 9:16 AM BAK  
C:\AIRPORTS\SAVANNA\B26-07TXX\AIRPORT\SHEETS\R-121CON.DWG - Construction Plan