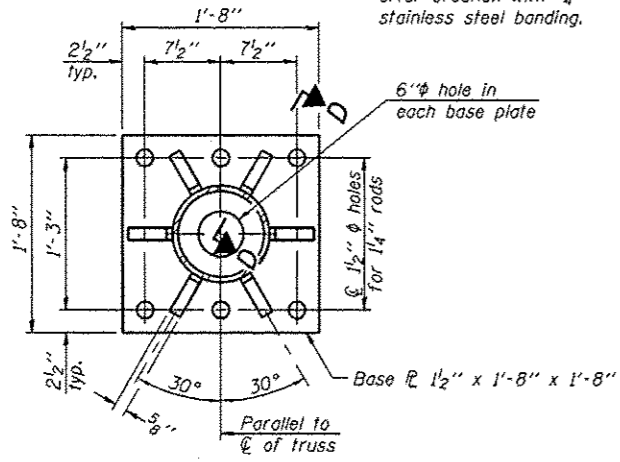
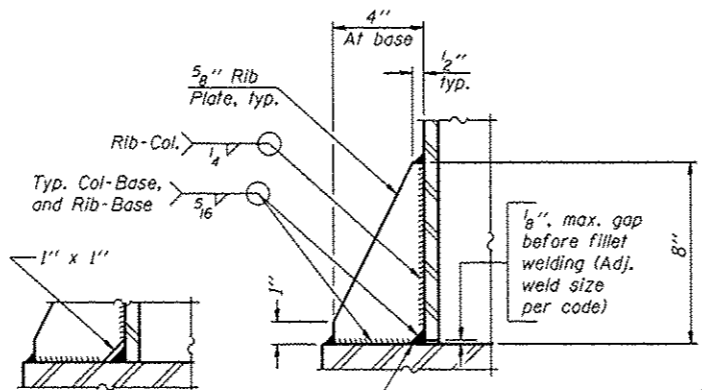


**DETAIL B**

Ribs shall be cut to fit slope of pipe.  
Stainless Steel Standard Grade Wire Cloth, 3" wide, 1/4" maximum opening with a minimum wire diameter of AWG, No. 16 with a minimum 2" lap. Secure to base plate after erection with 3/4" stainless steel banding.

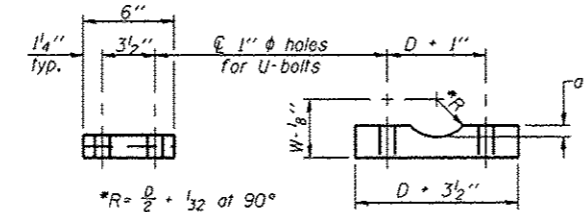


**SECTION B-B**



**SECTION D-D**

\*\* Alternate detail if welding col. to base plate first, then snip inside corner of ribs. Terminate weld on rib 1/4" from snip.

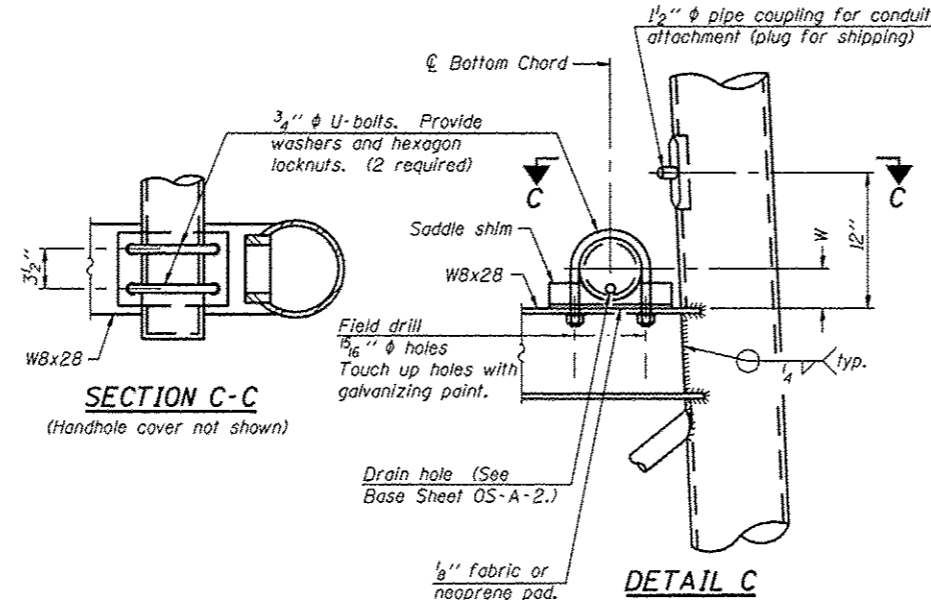


**SADDLE SHIM DETAIL**

\*R = D/2 + 1/32 at 90°  
D = Outside Diameter of Chord.  
For W, see Base Sheet OS-A-6.

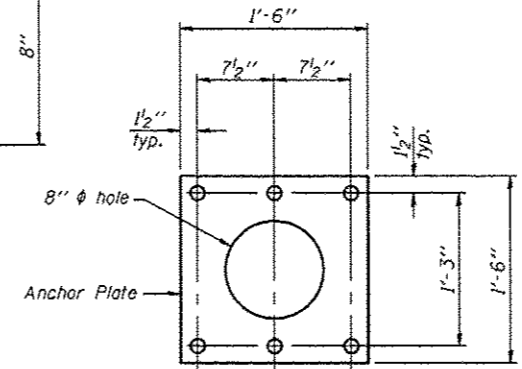
Truss Chord Nominal Dia.	a
5"	3 1/4"
5 1/2"	13 1/16"
6"	7 7/8"
6 1/2"	15 1/16"
7"	1"

ASTM B26 Alloy 356-F  
or  
ASTM B209 Alloy 6061-T651  
(4 required per sign truss)

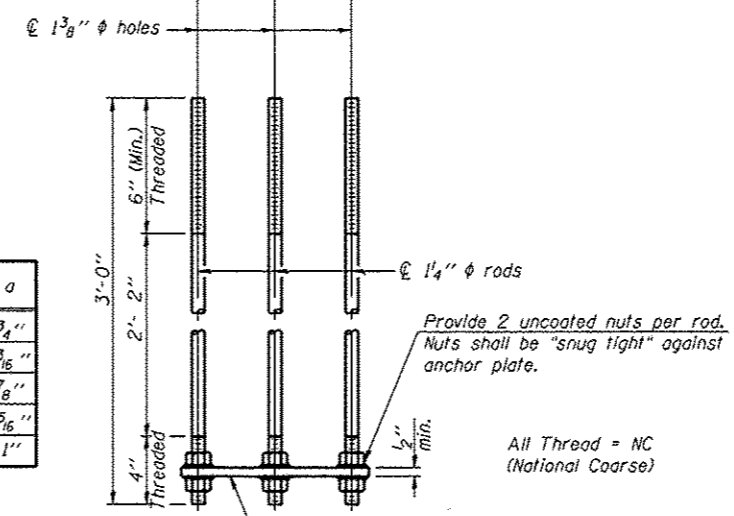


**SECTION C-C**

**DETAIL C**



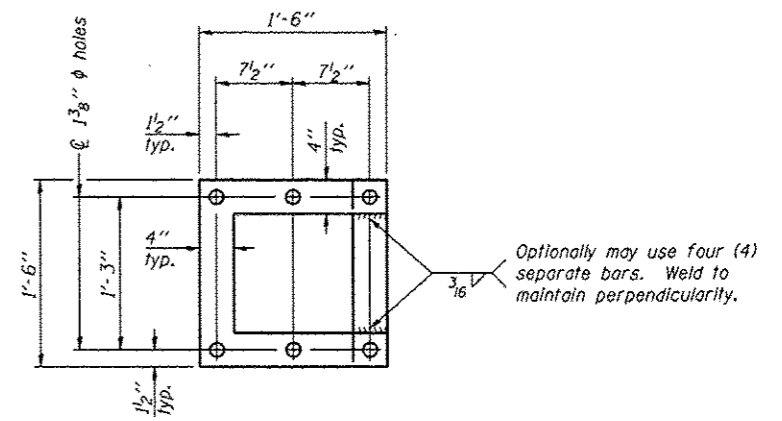
**Anchor Plate**



**ANCHOR ROD DETAIL**  
Spread Footing Foundation

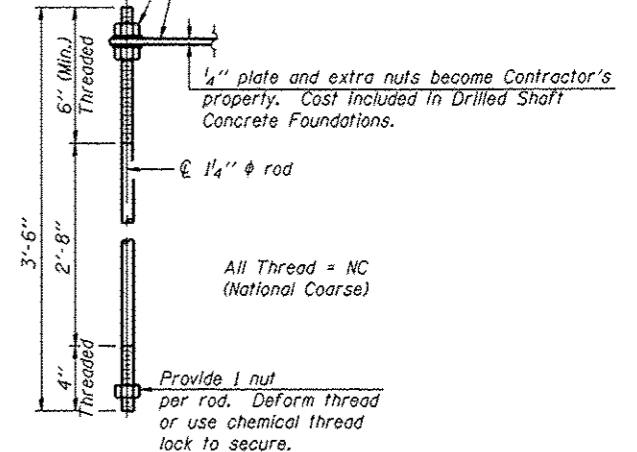
Anchor rods shall conform to ASTM F1554 Grade 105. Galvanize upper 12" minimum per AASHTO M232. No welding shall be permitted on rods.

**10" Ø PIPE SUPPORT FRAME DETAILS**



**POSITIONING PLATE(S)**

At each location, provide 1/4" thick positioning plate(s) and six (6) additional nuts to be used with leveling nuts to maintain anchor bolts position during concrete placement.



**ANCHOR ROD DETAIL**  
Drilled Shaft Foundation

OS-A-6A

1-20-11

FILE NAME =	USER NAME = woodshankr1	DESIGNED - YOGESH PATEL	REVISED -
ci:\pwork\p\ridat\woodshankr1\030243\1246228-sh1-detail.dgn		DRAWN - YOGESH PATEL	REVISED -
		CHECKED - RON WOODSHANK	REVISED -
		DATE -	REVISED -

STATE OF ILLINOIS  
DEPARTMENT OF TRANSPORTATION

OVERHEAD SIGN STRUCTURES  
SUPPORT FRAME DETAILS - ALUMINUM TRUSS

F.A.I. RTE.	SECTION	COUNTY	TOTAL SHEETS	SHEET NO.
I-80	D3 OVD SIN STR REPL 13-07	BUREAU	18	13
CONTRACT NO. 46220			ILLINOIS	

SCALE: SHEET NO. 6 OF 11 SHEETS STA. TO STA.