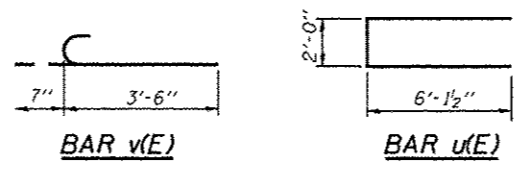


ELEVATION

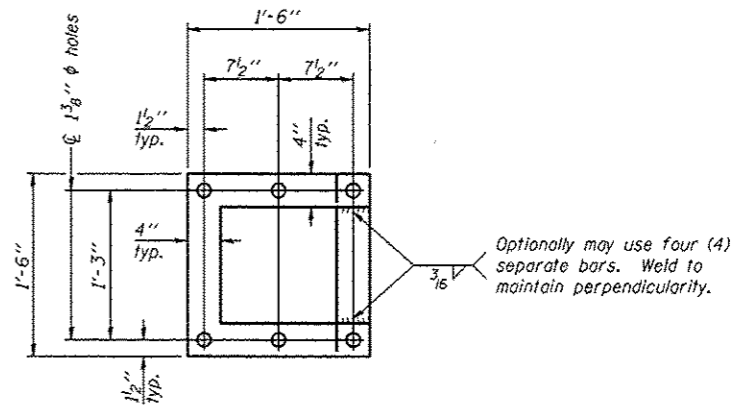


BAR LIST - EACH FOUNDATION

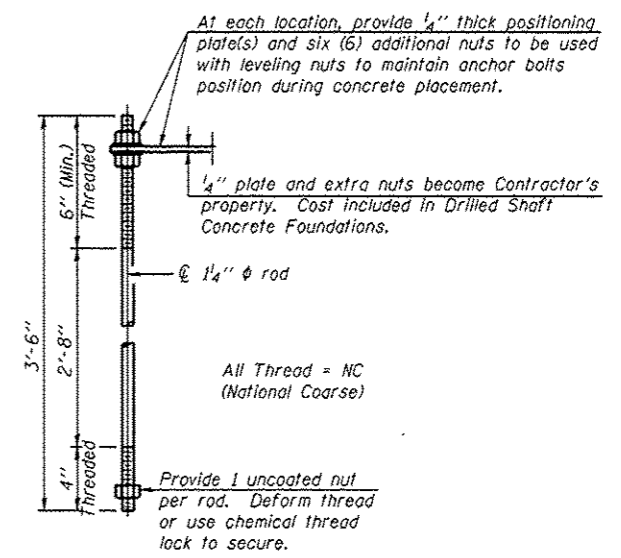
Bar	Number	Size	Length	Shape
1(E)	12	#5	"	—
u(E)	18	#4	14'-3"	U
v(E)	28	#5	4'-1"	U
v1(E)	28	#5	"	—
w(E)	39	#5	7'-3"	—

*Length of 1(E) bar = (Dim. M) - 6"
 v1(E) bar = (Dim. N) - 3"

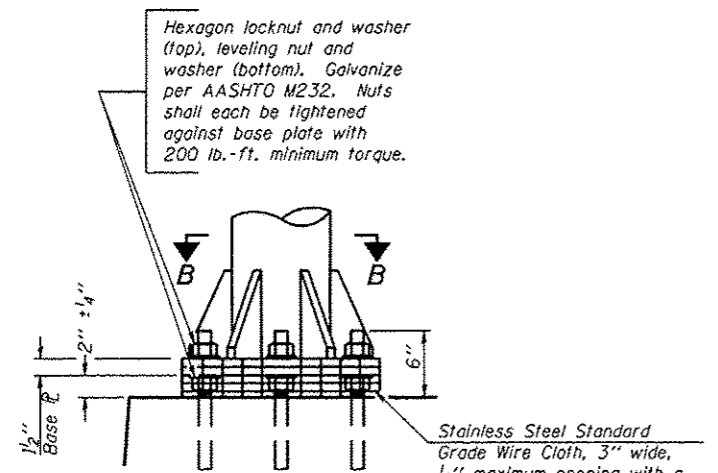
5/8" φ x 10'-0" copper weld ground rod driven into ground 9'-0". Cost of rod, cable, conduit, caps and clamps shall be included in Concrete Foundations.



POSITIONING PLATE(S)

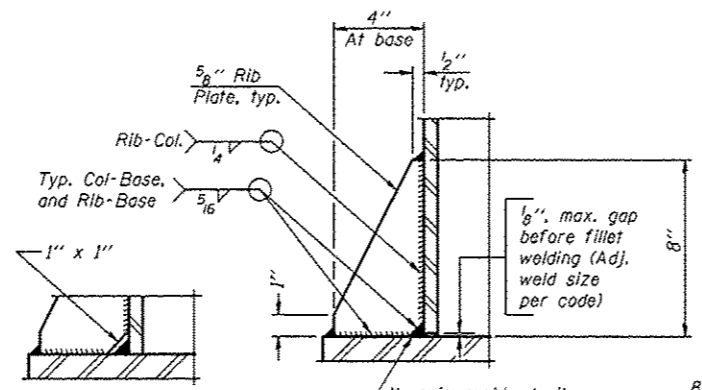


ANCHOR ROD DETAIL
 Drilled Shaft Foundation



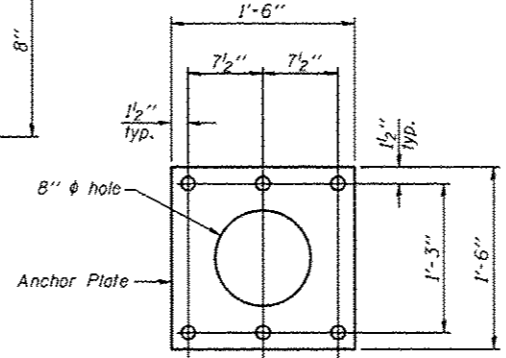
DETAIL B

Ribs shall be cut to fit slope of pipe. Stainless Steel Standard Grade Wire Cloth, 3" wide, 1/4" maximum opening with a minimum wire diameter of AWG. No. 16 with a minimum 2" lap. Secure to base plate after erection with 3/4" stainless steel banding.

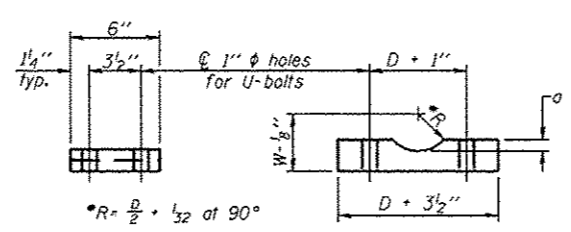


SECTION D-D

** Alternate detail if welding col. to base plate first, then snip inside corner of ribs. Terminate weld on rib 1/4" from snip.



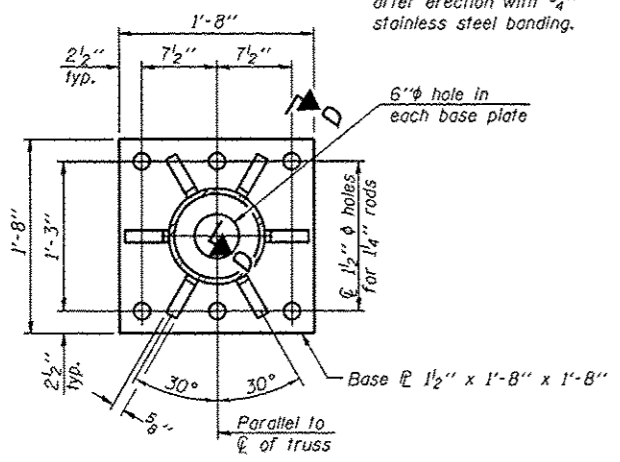
ANCHOR ROD DETAIL
 Spread Footing Foundation



SADDLE SHIM DETAIL

ASTM B26 Alloy 356-F
 or
 ASTM B209 Alloy 6061-T651
 (4 required per sign truss)

Truss Chord Nominal Dia.	d
5"	3/4"
5 1/2"	1 1/16"
6"	7/8"
6 1/2"	1 5/16"
7"	1"



SECTION B-B

Structure Number	Station
3C0461057R311.5	208+43 NB
3C046U045L004.9	136+42 RT
3C046U045R005.1	127+21 LT
3C046S017L011.2	19+93 LT
3C046S017R014.1	130+84 RT
3C046S017L014.3	135+90 LT

THIS SHEET FOR INFORMATION ONLY
LOCATION 1 THROUGH 6