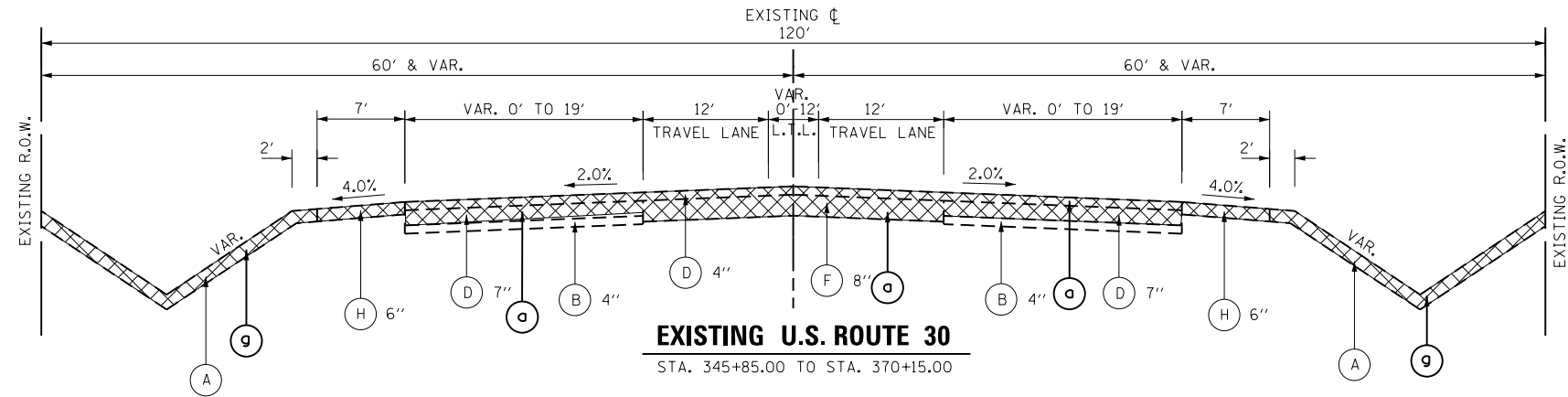


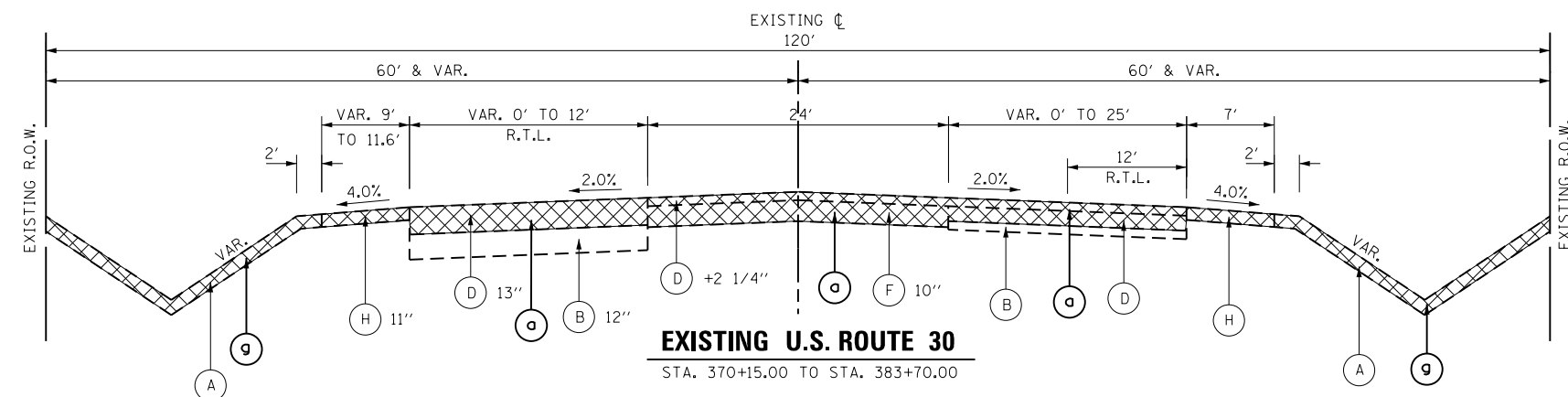
**EXISTING U.S. ROUTE 30**  
 STA. 322+39.00 TO STA. 345+85.00  
 STA. 383+70.00 TO STA. 419+97.21  
 BRIDGE OMISSION - STA. 419+97.21 TO STA. 420+57.80

EXISTING STEEL PLATE BEAM GUARDRAIL  
 STA. 392+01.73 TO STA. 401+53.63  
 STA. 419+32.32 TO STA. 420+08.81

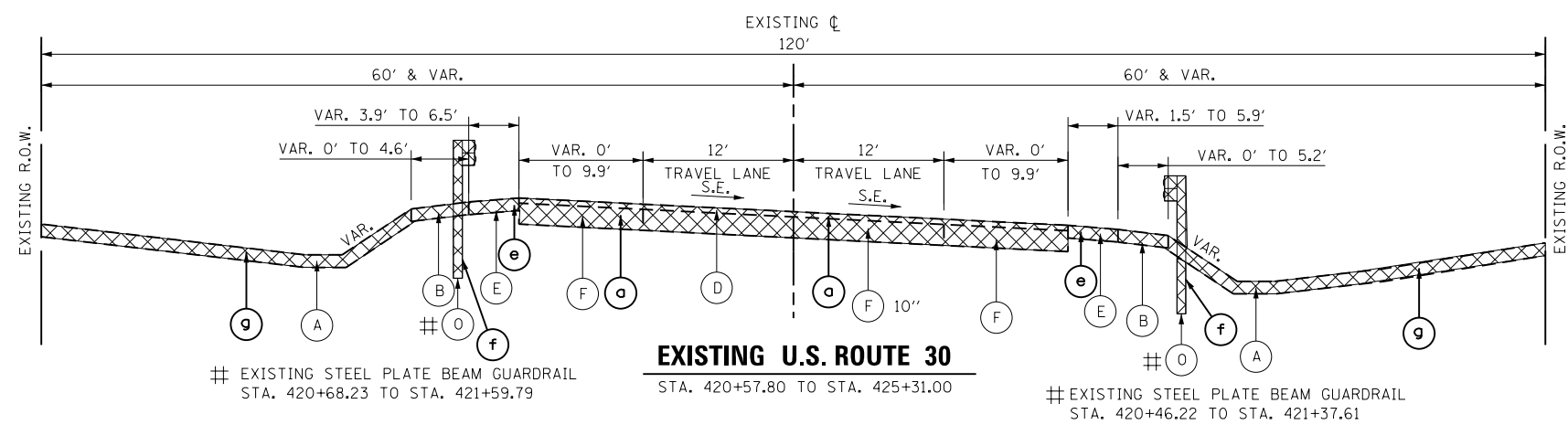
EXISTING STEEL PLATE BEAM GUARDRAIL  
 STA. 393+00.34 TO STA. 399+25.69  
 STA. 419+03.03 TO STA. 419+86.33



**EXISTING U.S. ROUTE 30**  
 STA. 345+85.00 TO STA. 370+15.00



**EXISTING U.S. ROUTE 30**  
 STA. 370+15.00 TO STA. 383+70.00



**EXISTING U.S. ROUTE 30**  
 STA. 420+57.80 TO STA. 425+31.00

EXISTING STEEL PLATE BEAM GUARDRAIL  
 STA. 420+68.23 TO STA. 421+59.79

EXISTING STEEL PLATE BEAM GUARDRAIL  
 STA. 420+46.22 TO STA. 421+37.61

**EXISTING LEGEND**

- (A) EXISTING TOP SOIL, 10" (UNLESS OTHERWISE NOTED)
- (B) EXISTING AGGREGATE SUBGRADE
- (C) EXISTING COURSE AGGREGATE FILL
- (D) EXISTING HMA PAVEMENT
- (E) EXISTING HMA SHOULDERS
- (F) EXISTING PCC PAVEMENT
- (G) EXISTING PCC SHOULDERS
- (H) EXISTING AGGREGATE SHOULDERS
- (I) EXISTING COMB. CONCRETE CURB AND GUTTER
- (K) EXISTING CONCRETE MEDIAN SURFACE
- (L) EXISTING HMA MEDIAN SURFACE
- (M) EXISTING CORRUGATED MEDIAN
- (N) EXISTING PCC SIDEWALK
- (O) EXISTING STEEL PLATE BEAM GUARDRAIL
- (P) EXISTING TIE BARS

**REMOVAL LEGEND**

- (a) PAVEMENT REMOVAL
- (b) COMB. CURB & GUTTER REMOVAL
- (c) SIDEWALK REMOVAL
- (d) MEDIAN REMOVAL
- (e) PAVED SHOULDER REMOVAL
- (f) GUARDRAIL REMOVAL
- (g) TOPSOIL EXCAVATION



FILE NAME = s:\p\16300-6395\6346\023\micro\sh\168132-sh\typical.dgn



USER NAME = amanda\_j  
 PLOT SCALE = 14.0000' / in.  
 PLOT DATE = 5/14/2012

DESIGNED - MAG  
 DRAWN - MAG  
 CHECKED - SJN  
 DATE -

REVISED -  
 REVISED -  
 REVISED -  
 REVISED -

**STATE OF ILLINOIS  
 DEPARTMENT OF TRANSPORTATION**

**TYPICAL SECTIONS**

SCALE: AS SHOWN SHEET NO. OF SHEETS STA. TO STA.

F.A.P. RTE.	SECTION	COUNTY	TOTAL SHEETS	SHEET NO.
349	11 WRS-3	KENDALL	527	34
CONTRACT NO. 60132				
FED. ROAD DIST. NO. ILLINOIS FED. AID PROJECT				