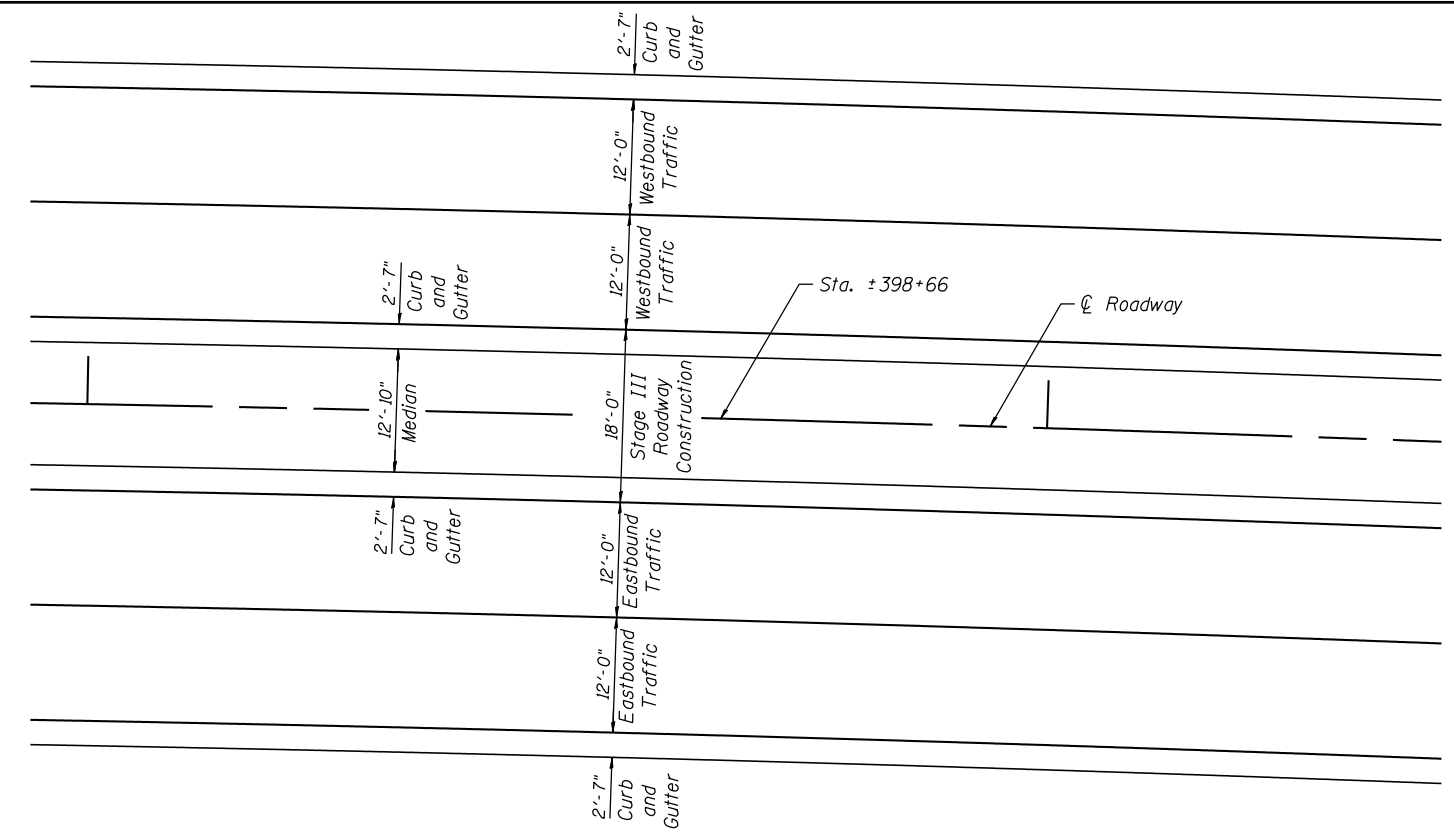
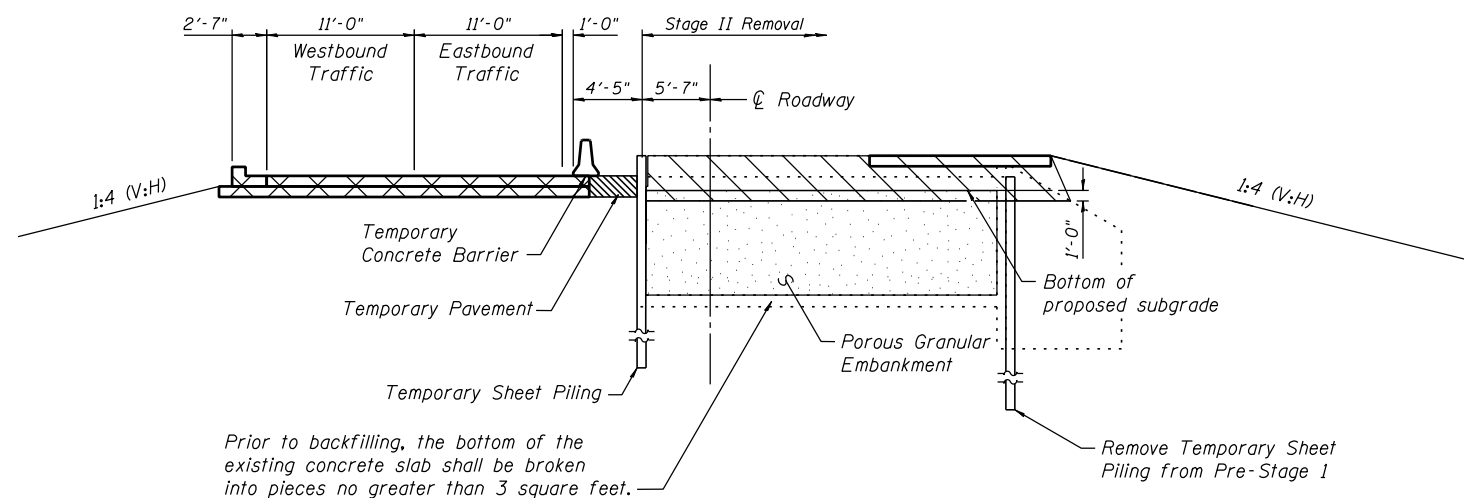


PLAN - STAGE II



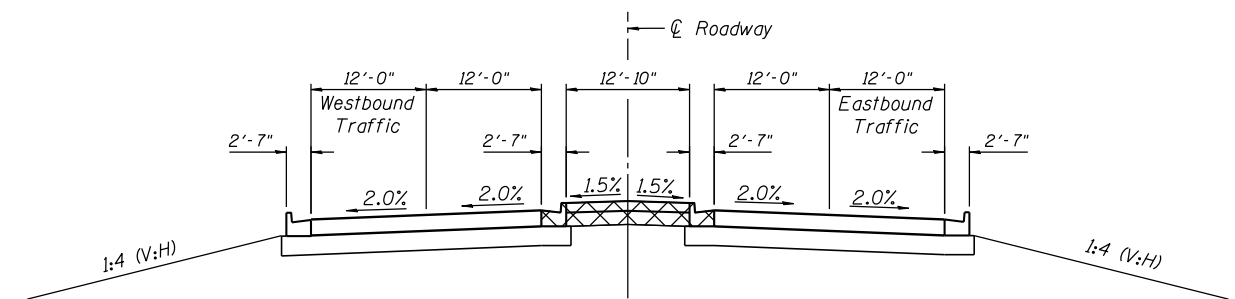
PLAN - STAGE III



LONGITUDINAL SECTION STAGE II

LEGEND

- Temporary Pavement
- Proposed Pavement Construction this Stage
- Removal



LONGITUDINAL SECTION STAGE III

FILE NAME = S:\JOL\63300-6399\6346\023\Micros\Sh\Str_Plan\Castle Pass\0470301-60132-002-CUL.dgn



1170 SOUTH HOUBOLT ROAD JOLIET, ILLINOIS 60431 (815) 744-4200	USER NAME = amanda_j	DESIGNED KJL	REVISD -
		CHECKED RRD	REVISD -
	PLOT SCALE =	DRAWN BJF	REVISD -
	PLOT DATE = 6/5/2012	CHECKED KJL	REVISD -

STATE OF ILLINOIS
DEPARTMENT OF TRANSPORTATION

CATTLE PASS REMOVAL
STAGE II & III

SHEET NO. 2 OF 4 SHEETS

F.A.U. RTE.	SECTION	COUNTY	TOTAL SHEETS	SHEET NO.
349	11 WRS-3	KENDALL	527	318
CONTRACT NO. 60132				

ILLINOIS FED. AID PROJECT