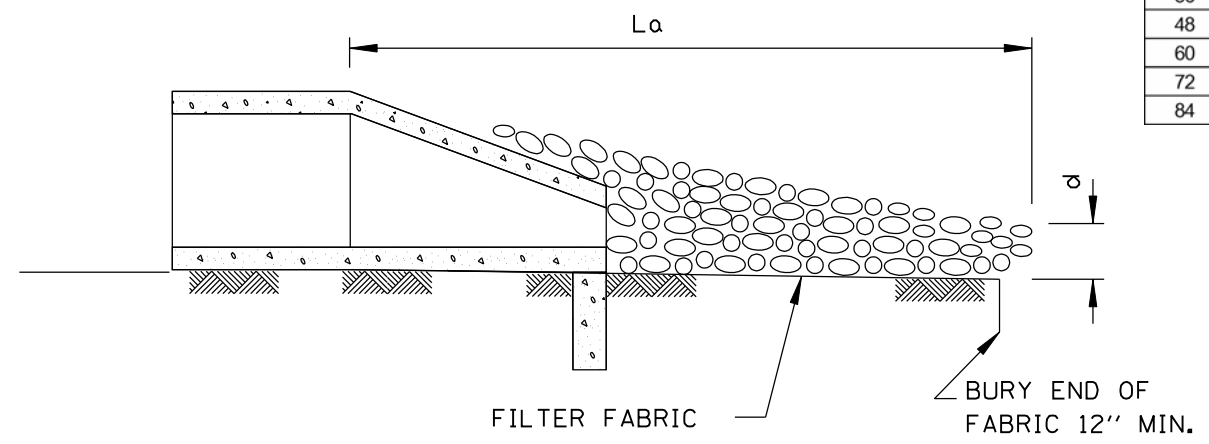


PLAN

Culvert Dia. (in.)	La (ft.)	W <sub>2</sub> (ft.)
12	10	5
18	14	7
24	16	8
30	18	10
36	20	11
48	24	14
60	32	18
72	40	22
84	50	27

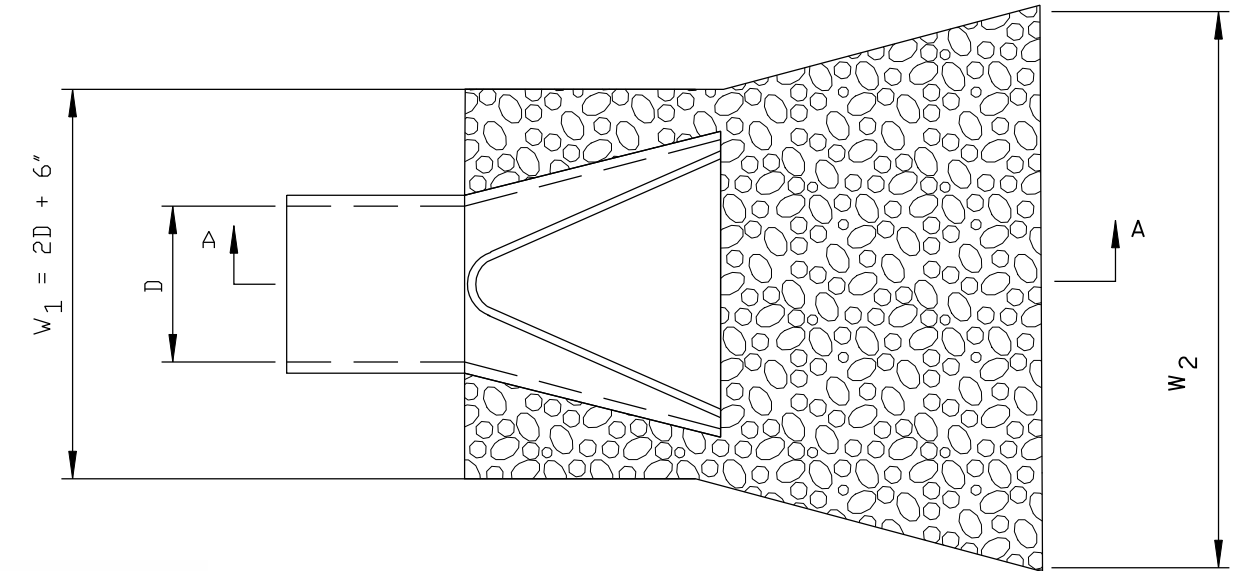


SECTION A-A

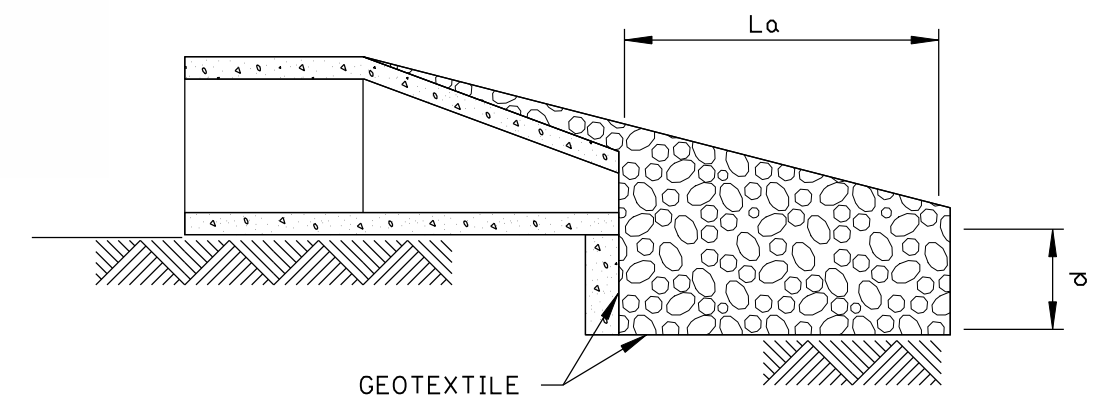
W = DITCH BOTTOM WIDTH

**NOTE:**  
THE ROCK RIPRAP SHALL BE STONE RIPRAP, CLASS A3, A4, OR A5.  
SEE LANDSCAPE PLANS

PIPE OUTLET TO CHANNEL



PLAN



SECTION A-A

d = DEPTH IN SECTION 281 OF STANDARD SPECIFICATIONS

**NOTE:**  
THE ROCK RIPRAP SHALL BE STONE RIPRAP, CLASS A3, A4, OR A5.  
SEE LANDSCAPE PLANS

PIPE OUTLET TO FLAT AREA

5/15/2012 11:40:34 PM

USER NAME = 1654	DESIGNED - JWB	REVISED -
	DRAWN - JWB	REVISED -
PLOT SCALE = 3.3334' / IN.	CHECKED - RS	REVISED -
PLOT DATE = 5/15/2012	DATE - 05/11/2012	REVISED -

**STATE OF ILLINOIS  
DEPARTMENT OF TRANSPORTATION**

**U.S. ROUTE 30 AT IL ROUTE 31  
EROSION CONTROL DETAILS**  
SCALE: N.T.S.

F.A.P. RTE. 349	SECTION (10 & 11 VB) R-3	COUNTY *	TOTAL SHEETS 507	SHEET NO. 122
KANE AND KENDALL			CONTRACT NO. 60133	
ILLINOIS FED. AID PROJECT				