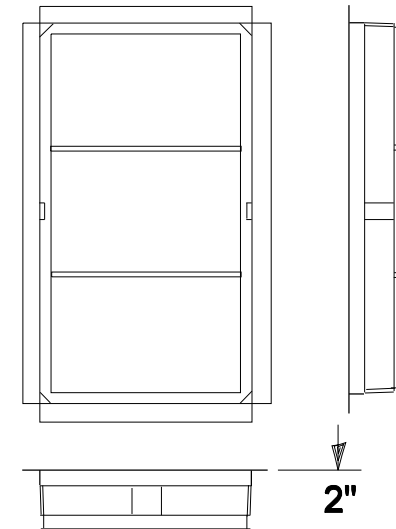
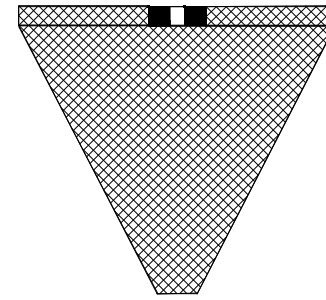
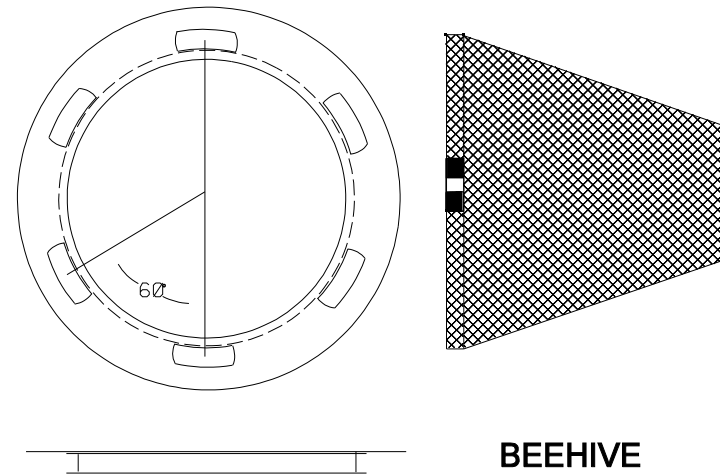
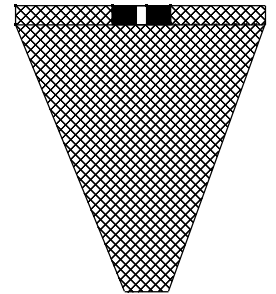
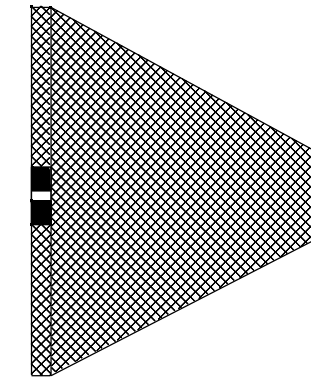


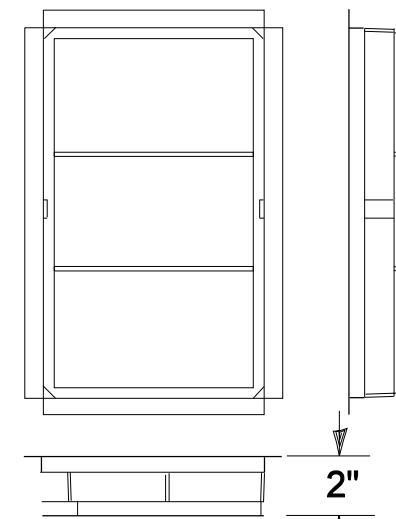
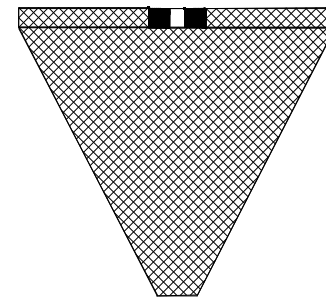
2" ROUND



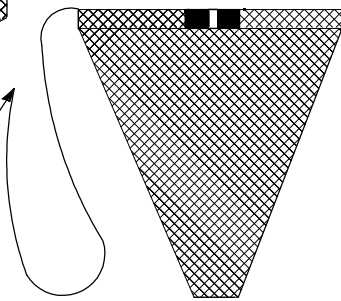
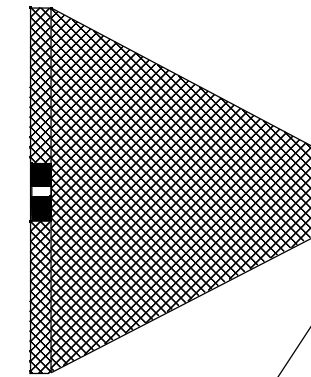
2" RECTANGULAR



BEEHIVE



2"



FABRIC FLAP TO COVER CURB BOX  
CURB BOX

**INLET AND PIPE PROTECTION**

**DESCRIPTION:** This work shall consist of furnishing, installation, and removal of a drainage structure inlet filter assembly, consisting of a frame and filter bag, to collect sediment in surface storm water runoff at locations shown on the plans or as directed by the Engineer.

The Contractor shall inspect the worksite and review the plans to determine the number and dimensions of the various types of drainage structure frames (circular and rectangular) into which the inlet filters will be installed prior to ordering materials.

The drainage structure inlet filter assembly shall be installed under the grate on the lip of the drainage structure frame with the fabric bag hanging down into the drainage structure.

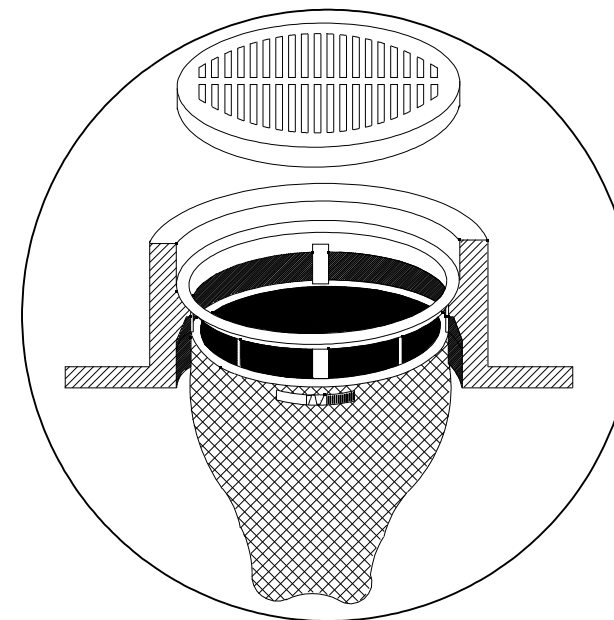
The drainage structure inlet filter assembly shall remain in place until final removal of the assembly is directed by the Engineer. The drainage structure inlet filter assembly shall remain the property of the Contractor.

Final removal of the assembly shall include the disposal of debris or silt that has accumulated in the filter bag at the time of final removal. Periodic cleaning of the filter is paid for separately.

**MATERIALS:** The drainage structure inlet shall be the (INLET AND PIPE PROTECTION), as furnished by Marathon Materials, Inc. 25523 W. Shultz St., Plainfield, IL 60544, (800) 983-9493, or approved equal. A detailed drawing in the plans depicts the drainage structure inlet filter assembly.

The drainage structure inlet filter assembly shall consist of a steel frame with a replaceable geotextile fabric bag attached with a steel band with locking cap that is suspended from the frame. A clean used bag and used steel frame in good condition, meeting the approval of the Engineer, may be substituted for new materials.

The drainage structure inlet filter assembly frame shall be rigid steel meeting the requirements of ASTM-A36. The frame shall include an overflow feature that is welded to the frame's ring. The overflow feature shall be designed to allow full flow of water into the structure if the filter bag is filled with sediment. The dimensions of the assembly frame shall allow the drainage structure grate to fit into the inlet filter assembly frame opening. The assembly frame shall rest on the inside lip of the drainage structure frame for the full variety of existing and proposed drainage structure frames that are present on this contract.



**INLET FILTERS**

5/16/2012 4:46:59 AM

USER NAME = 1654	DESIGNED - JWB	REVISED -
	DRAWN - JWB	REVISED -
PLOT SCALE = 22.8571' / IN.	CHECKED - RS	REVISED -
PLOT DATE = 5/16/2012	DATE - 05/11/2012	REVISED -

**STATE OF ILLINOIS  
DEPARTMENT OF TRANSPORTATION**

**U.S. ROUTE 30 AT IL ROUTE 31  
EROSION CONTROL DETAILS AND NOTES**

F.A.P. RTE.	SECTION	COUNTY	TOTAL SHEETS	SHEET NO.
349	(10 & 11 VB) R-3	*	507	125
* KANE AND KENDALL			CONTRACT NO. 60133	

ILLINOIS FED. AID PROJECT