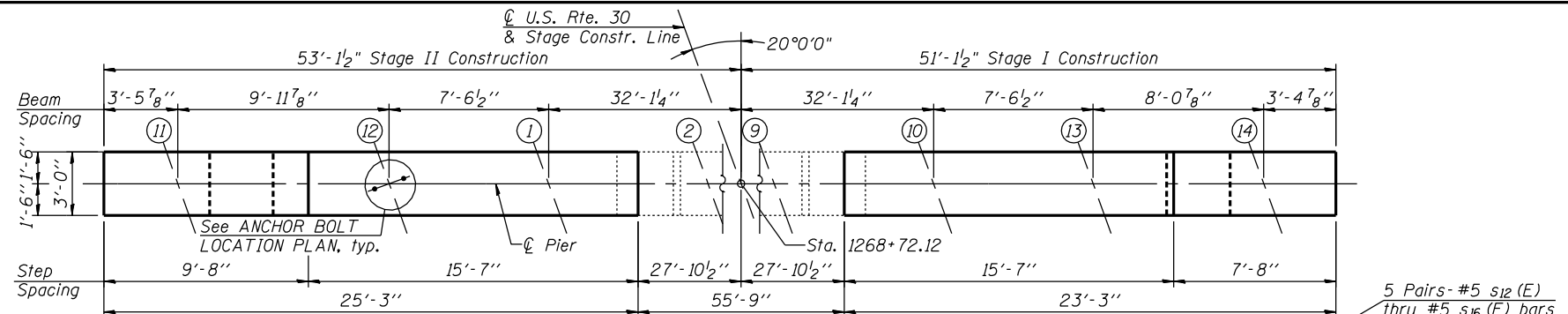
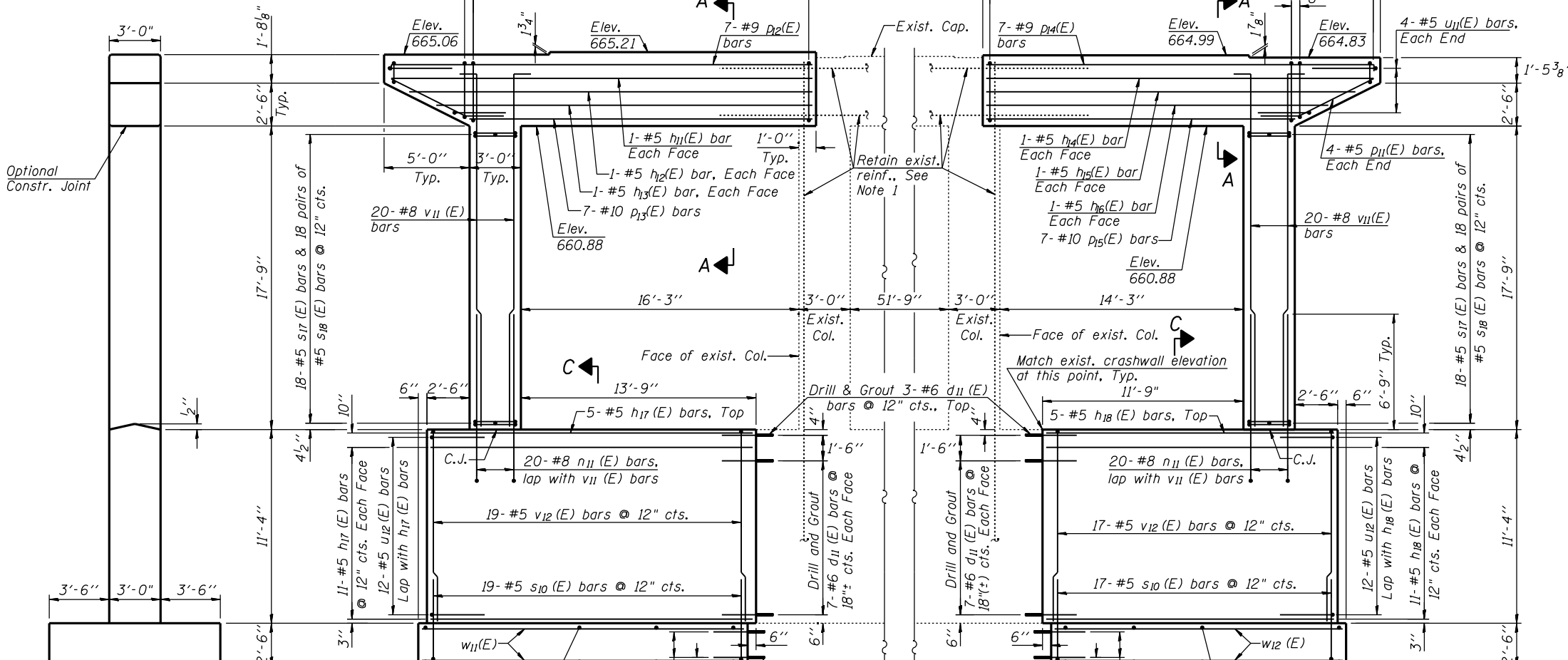


ANCHOR BOLT LOCATION PLAN

(Beams 11, 12, 1, 10, 13 & 14)



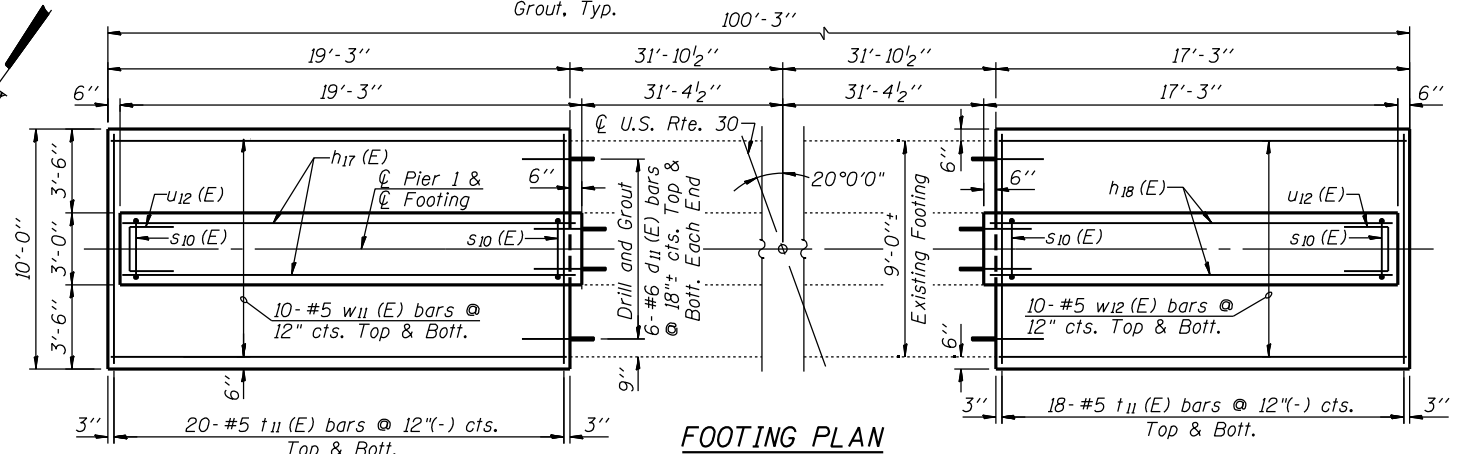
TOP PLAN



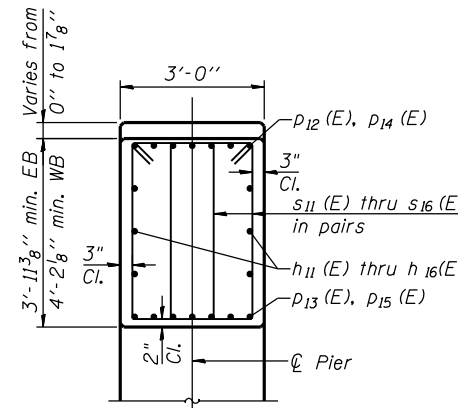
PIER 1 ELEVATION

(Looking East)

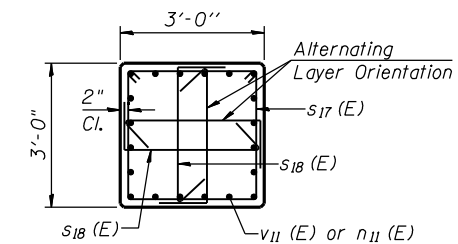
END VIEW



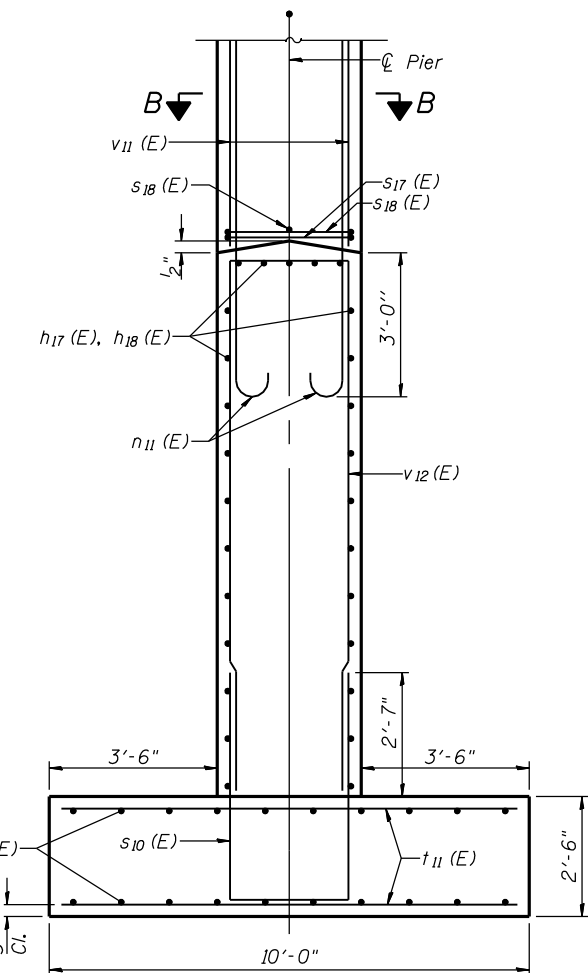
FOOTING PLAN



SECTION A-A



SECTION B-B



SECTION C-C

NOTES:

- Existing reinforcement shall be cleaned, straightened and incorporated into the new construction. Cost included with "Concrete Removal".
- See Sheet S73 for reinforcement details.
- Space reinforcement in cap to miss anchor bolts.
- Pour steps monolithically with cap.
- Embedment depth for #6 bars drilled & grouted is 9".
- Maximum applied service load soil bearing pressure is 4,000 psf.

H:\Jobs\2010\030303\CAD\Structural\dgn\045-0039.Final\00.D16033-s070-pier1.dgn 6/26/2012 10:23:28 AM

USER NAME =	DESIGNED - J.Z. 6/25/2012	REVISED -
PLOT SCALE =	CHECKED - J.J.G. 6/25/2012	REVISED -
PLOT DATE =	DRAWN - E.U.B. 6/25/2012	REVISED -
	CHECKED - J.Z. 6/25/2012	REVISED -

F.A.P. RTE.	SECTION	COUNTY	TOTAL SHEETS	SHEET NO.
349	(10 & 11VB) R-3	KANE	507	291
CONTRACT NO. 60133				
ILLINOIS FED. AID PROJECT				