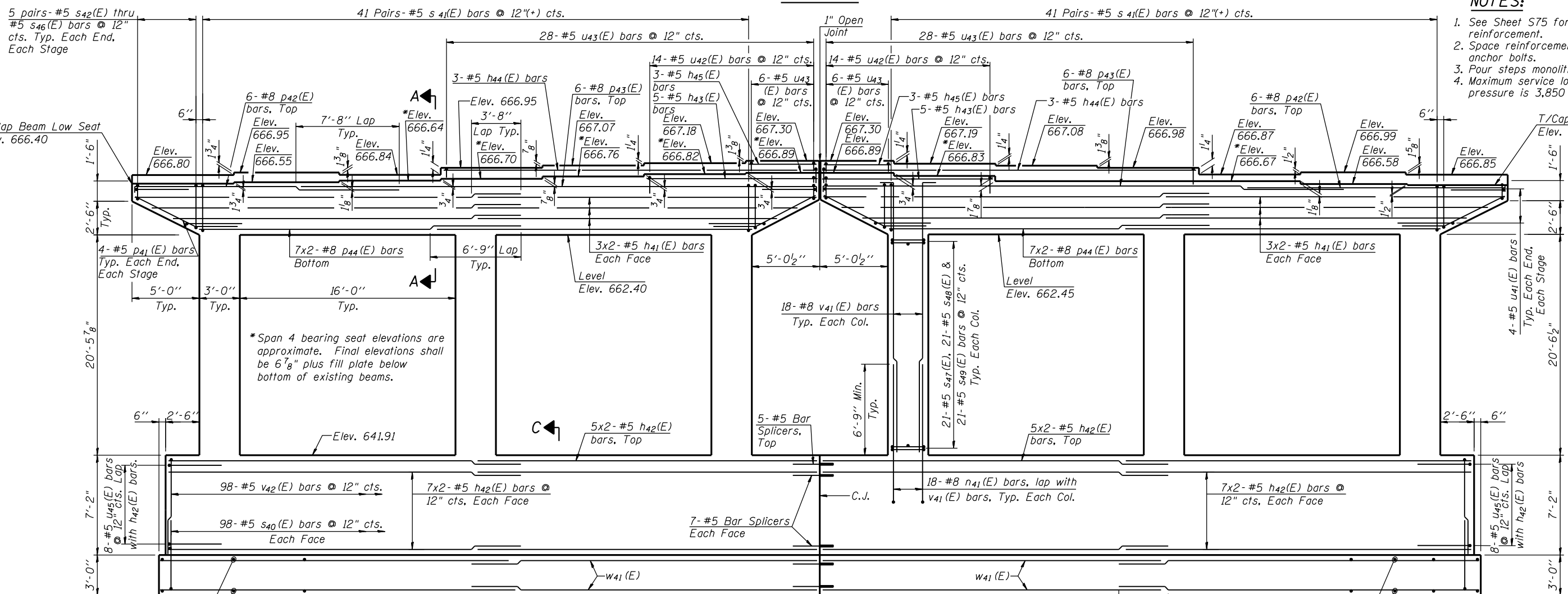
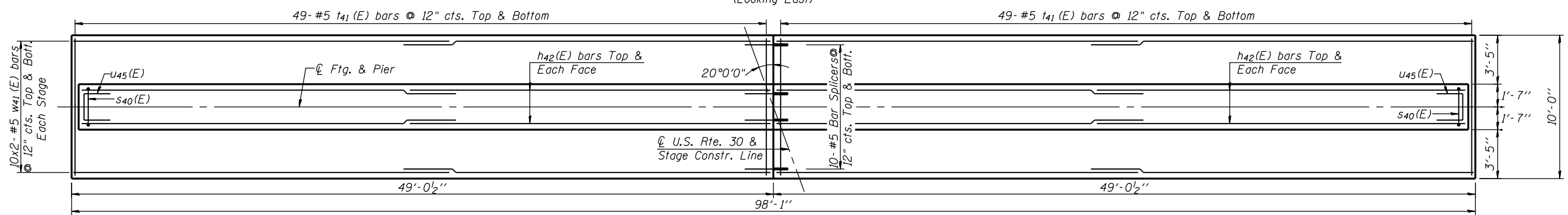


TOP PLAN



PIER 4 ELEVATION  
(Looking East)



FOOTING PLAN

- NOTES:**
1. See Sheet S75 for Sections and reinforcement.
  2. Space reinforcement in cap to miss anchor bolts.
  3. Pour steps monolithically with cap.
  4. Maximum service load soil bearing pressure is 3,850 psf.

H:\Jobs\2010\20103003\CAD\Structural\dgn\045-0039.Fin\00\06033-e074-4-4.dgn  
 6/26/2012 3:40:45 PM

**GR&E**  
 8501 W. Higgins Road, Suite 280  
 Chicago, Illinois 60631; (773) 399-0112

USER NAME =	DESIGNED - J.Z. 6/25/2012	REVISED -
PLOT SCALE =	CHECKED - J.J.G. 6/25/2012	REVISED -
PLOT DATE =	DRAWN - E.U.B. 6/25/2012	REVISED -
	CHECKED - J.Z. 6/25/2012	REVISED -

**STATE OF ILLINOIS**  
**DEPARTMENT OF TRANSPORTATION**

**PIER 4**  
**STRUCTURE NO. 045-0039**

SHEET NO. S74 OF 116 SHEETS

F.A.P. RTE.	SECTION	COUNTY	TOTAL SHEETS	SHEET NO.
349	(10 & 11VB) R-3	KANE	507	295
CONTRACT NO. 60133				
ILLINOIS FED. AID PROJECT				

