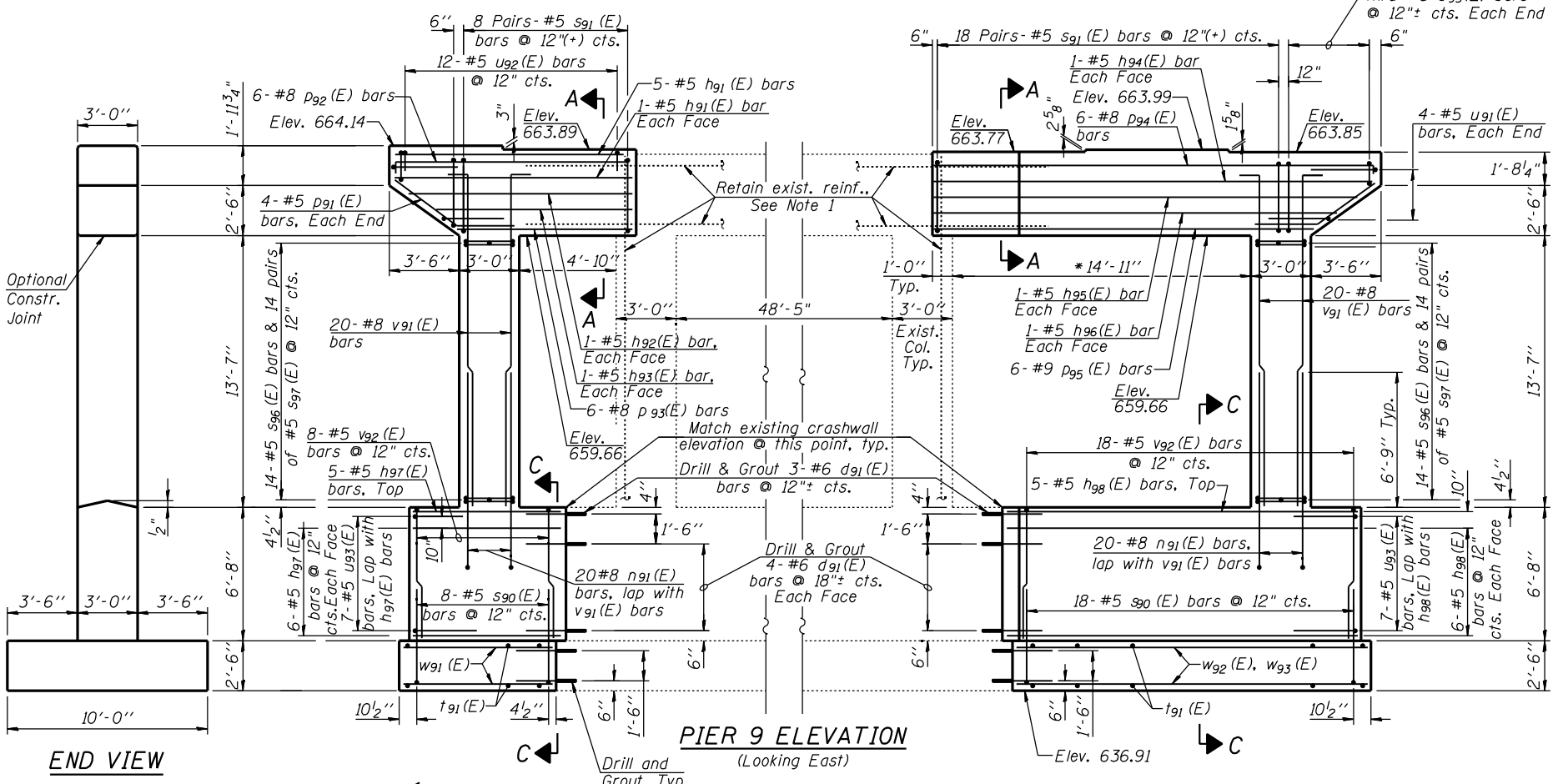


ANCHOR BOLT LOCATION PLAN 1 (BEAM 11 & 1)

TOP PLAN

ANCHOR BOLT LOCATION PLAN 2 (BEAM 10 ONLY)

ANCHOR BOLT LOCATION PLAN 3 (BEAMS 13 & 14)

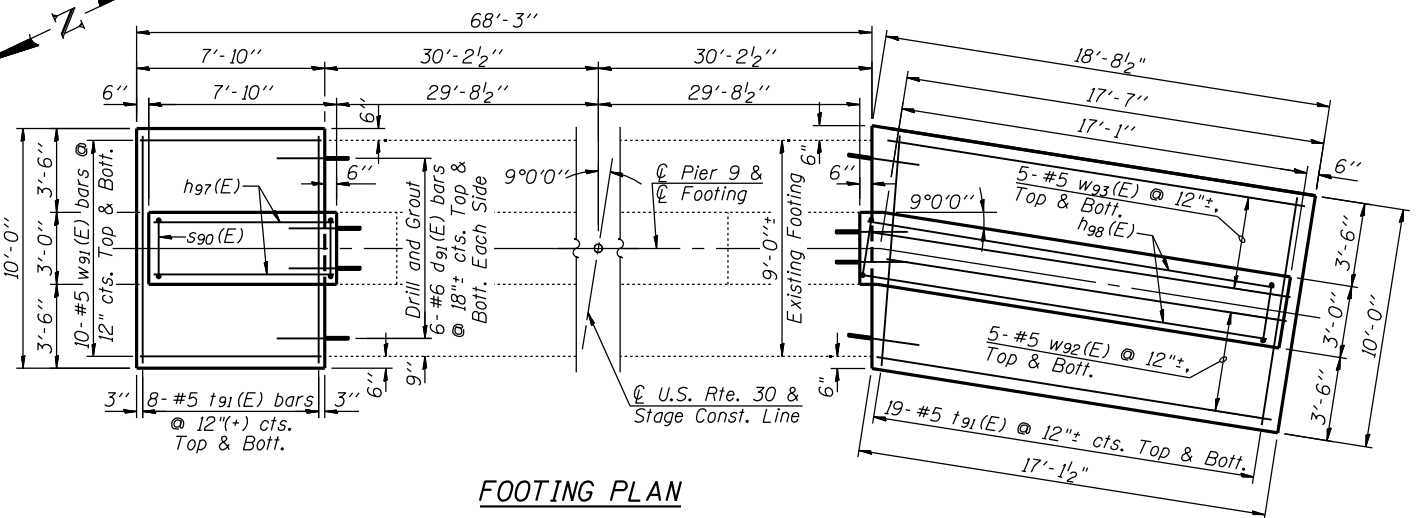


PIER 9 ELEVATION (Looking East)

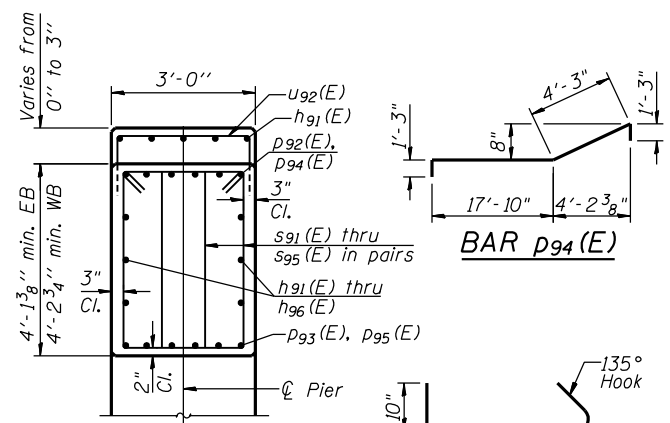
END VIEW

NOTES:

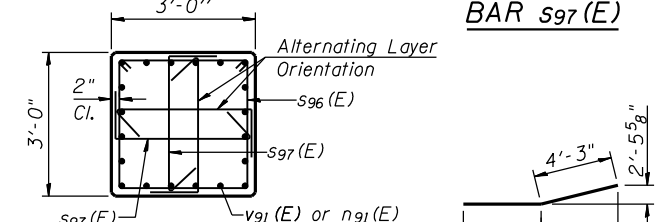
- Existing reinforcement shall be cleaned, straightened and incorporated into the new construction. Cost included with "Concrete Removal".
- Space reinforcement in cap to miss anchor bolts.
- Four steps monolithically with cap.
- Embedment depth for #6 bars drilled & grouted is 9".
- Maximum applied service load soil bearing pressure is 4,000 psf.
- *Denotes dimension along ϕ of Pier.



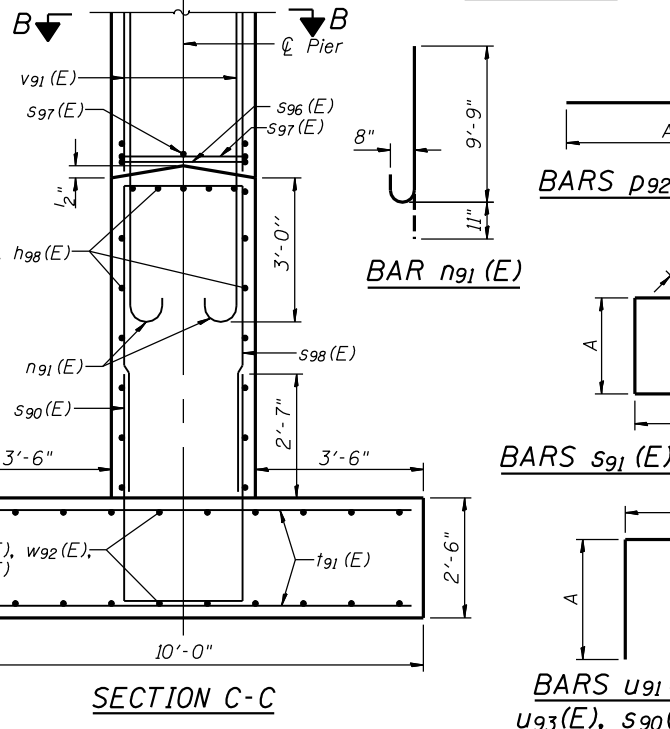
FOOTING PLAN



SECTION A-A



SECTION B-B



SECTION C-C

BILL OF MATERIAL

Bar	No.	Size	Length	Shape
d ₉₁ (E)	46	#6	4'-3"	—
h ₉₁ (E)	7	#5	12'-0"	—
h ₉₂ (E)	2	#5	10'-10"	—
h ₉₃ (E)	2	#5	9'-8"	—
h ₉₄ (E)	2	#5	22'-1"	—
h ₉₅ (E)	2	#5	20'-11"	—
h ₉₆ (E)	2	#5	19'-10"	—
h ₉₇ (E)	17	#5	7'-6"	—
h ₉₈ (E)	17	#5	18'-9"	—
n ₉₁ (E)	40	#8	10'-8"	—
p ₉₁ (E)	8	#5	7'-3"	—
p ₉₂ (E)	6	#8	13'-3"	—
p ₉₃ (E)	6	#8	8'-6"	—
p ₉₄ (E)	6	#8	24'-7"	—
p ₉₅ (E)	6	#9	17'-2"	—
s ₉₀ (E)	26	#5	12'-2"	—
s ₉₁ (E)	52	#5	11'-11"	—
s ₉₂ (E)	4	#5	11'-3"	—
s ₉₃ (E)	4	#5	9'-11"	—
s ₉₄ (E)	4	#5	8'-7"	—
s ₉₅ (E)	4	#5	7'-3"	—
s ₉₆ (E)	28	#5	11'-7"	—
s ₉₇ (E)	56	#5	4'-0"	—
t ₉₁ (E)	54	#5	9'-8"	—
u ₉₁ (E)	8	#5	8'-8"	—
u ₉₂ (E)	12	#5	6'-6"	—
u ₉₃ (E)	14	#5	7'-2"	—
v ₉₁ (E)	40	#8	18'-5"	—
v ₉₂ (E)	26	#5	15'-6"	—
w ₉₁ (E)	20	#5	7'-6"	—
w ₉₂ (E)	10	#5	16'-10"	—
w ₉₃ (E)	10	#5	18'-2"	—
Structure Excavation			Cu Yd.	140
Concrete Structures			Cu Yd.	68.0
Reinforcement Bars, Epoxy Coated			Pound	8,730

A & B DIMENSIONS

Bar	A	B
h ₉₄ (E)	17'-10"	---
h ₉₅ (E)	16'-7"	---
h ₉₆ (E)	15'-7"	---
p ₉₂ (E)	12'-0"	1'-3"
p ₉₅ (E)	14'-6"	---
s ₉₀ (E)	4'-9"	2'-8"
s ₉₁ (E)	3'-8"	1'-10"
s ₉₂ (E)	3'-4"	1'-10"
s ₉₃ (E)	2'-8"	1'-10"
s ₉₄ (E)	2'-0"	1'-10"
s ₉₅ (E)	1'-4"	1'-10"
s ₉₆ (E)	2'-8"	2'-8"
u ₉₁ (E)	3'-0"	2'-8"
u ₉₂ (E)	1'-11"	2'-8"
u ₉₃ (E)	2'-3"	2'-8"
v ₉₁ (E)	17'-1"	1'-4"
v ₉₂ (E)	6'-5"	2'-8"

BARS u₉₁(E), u₉₂(E), u₉₃(E), s₉₀(E) & s₉₈(E)

BARS h₉₄(E), h₉₅(E), h₉₆(E), & p₉₅(E)

USER NAME	DESIGNED	REVISIONS
J.Z.	6/25/2012	REVIS
J.A.Z.	6/25/2012	REVIS
E.U.B.	6/25/2012	REVIS
J.Z.	6/25/2012	REVIS

F.A.P. RTE.	SECTION	COUNTY	TOTAL SHEETS	SHEET NO.
349	(10 & 11VB) R-3	KANE	507	303
				CONTRACT NO. 60133