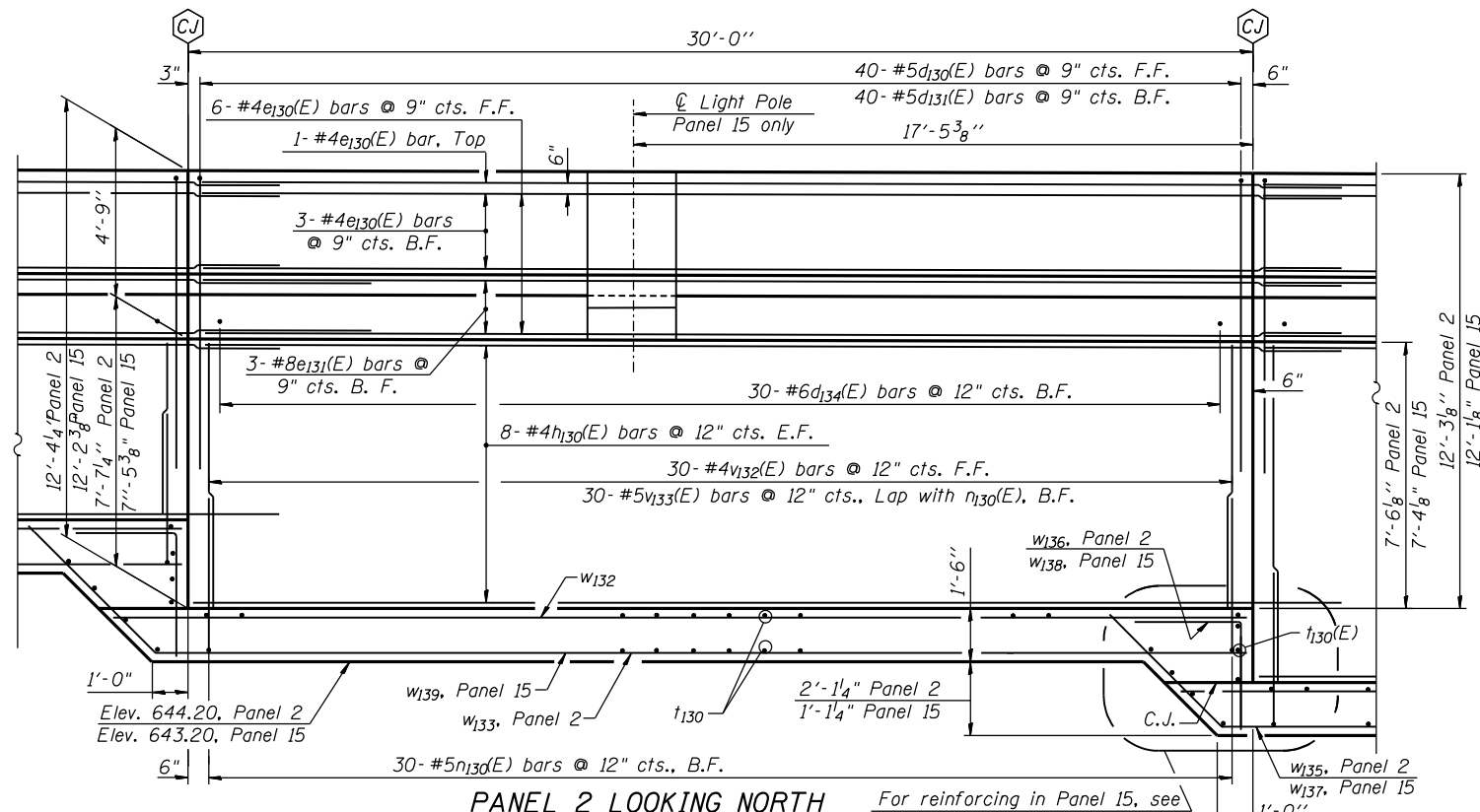
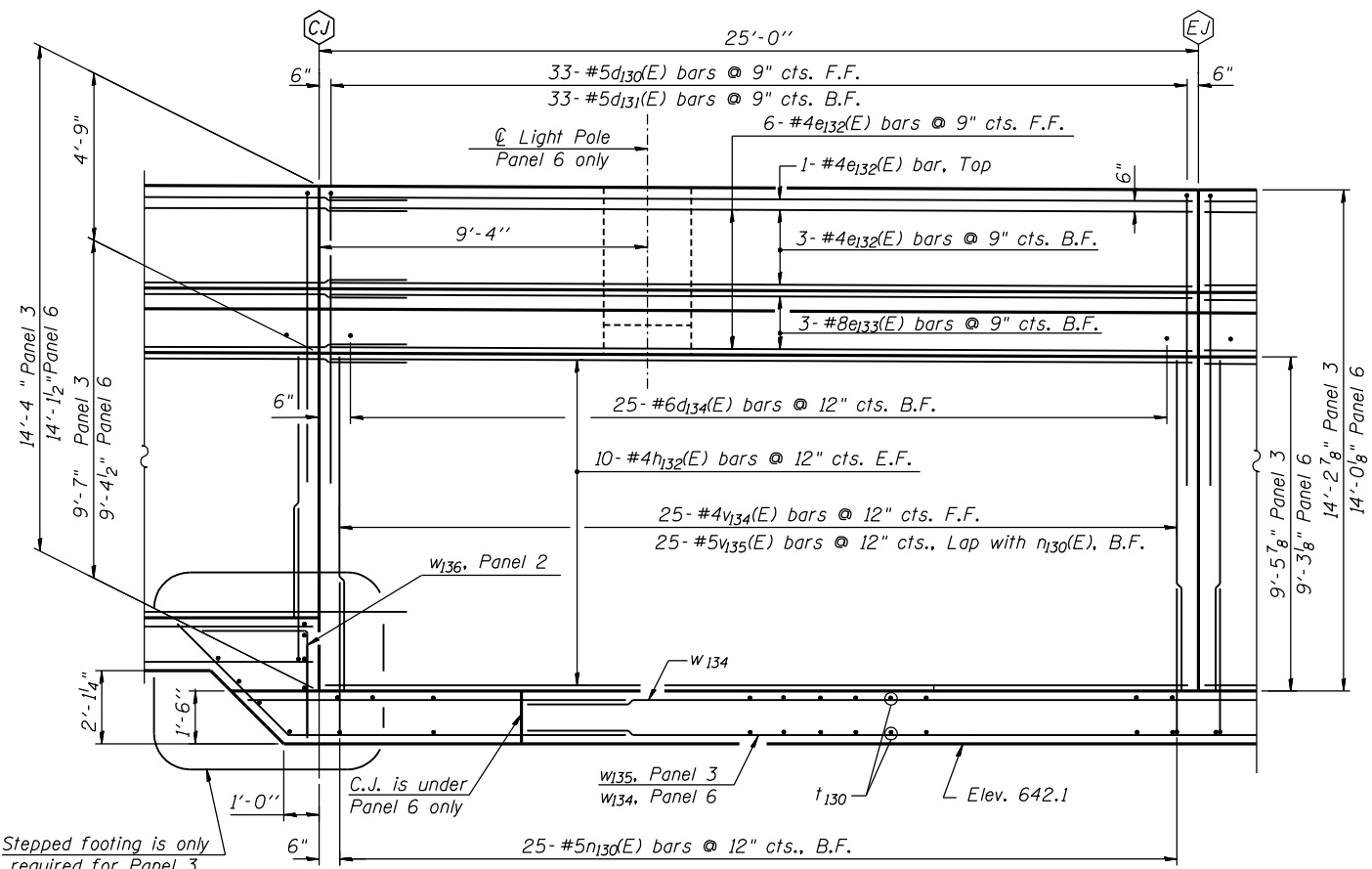


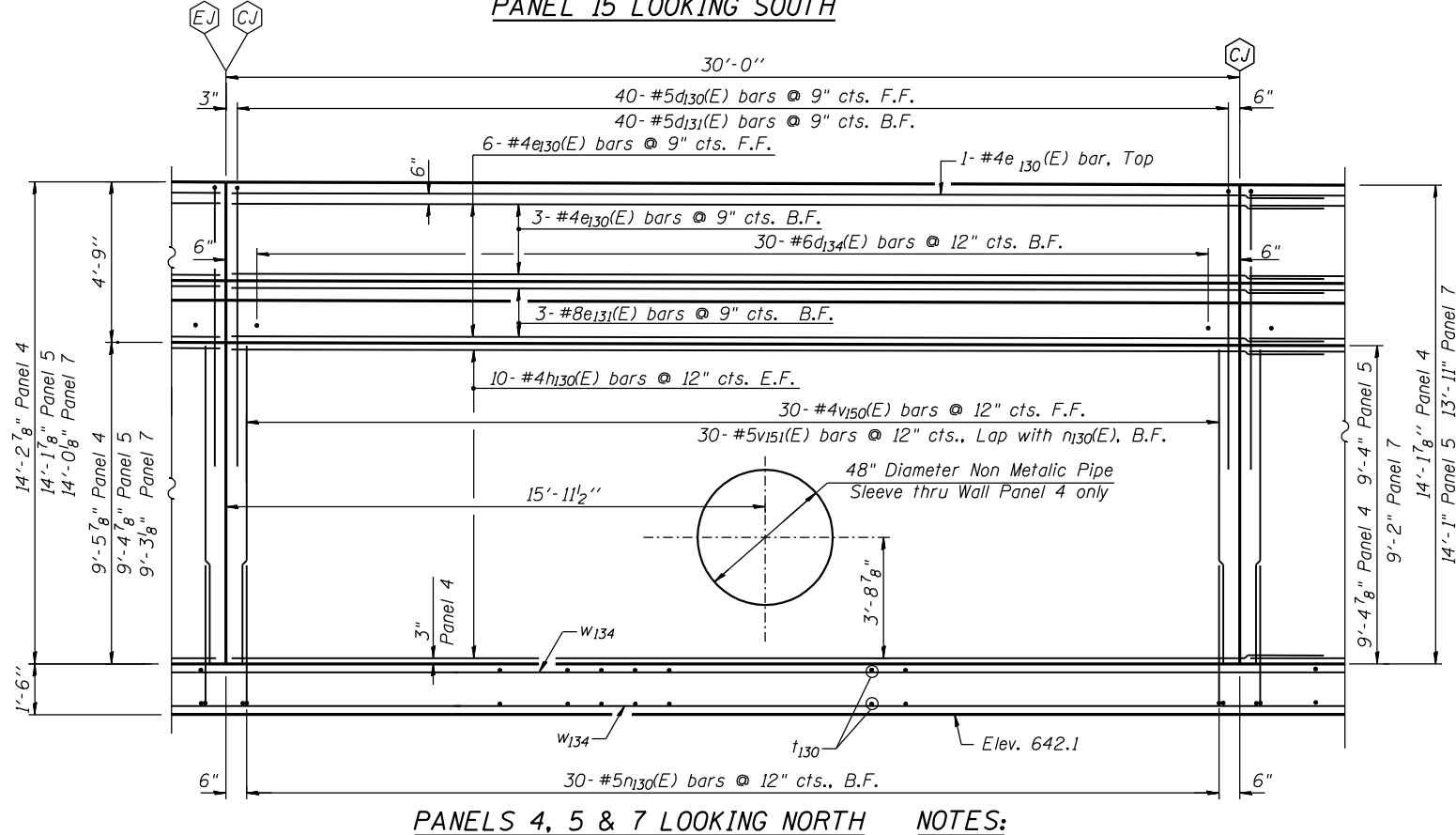
**PANEL 1 LOOKING NORTH
PANEL 16 LOOKING SOUTH**



**PANEL 2 LOOKING NORTH
PANEL 15 LOOKING SOUTH**



PANELS 3 & 6 LOOKING NORTH



PANELS 4, 5 & 7 LOOKING NORTH

- NOTES:**
1. See DETAIL X on Sheet SA7 for additional reinforcement required around Pipe Sleeve thru Wall Panel 4.
 2. See DETAIL Z on Sheet SA7 for additional reinforcement required around Pipe Sleeve thru Wall Panel 16.
 3. For Light Pole Base, Plan & Section, See Sheet SA6.
 4. Rebar Splices in footing under Panels 4, 5 & 7 are not shown.

P:\1052010\20103003\cadd\structural\dgn\etwall_final\00\DI60133-sa04-ell.dgn
 6/14/2012 6:39:13 PM

GRAEF
 8501 W. Higgins Road, Suite 280
 Chicago, Illinois 60631; (773) 399-0112

| | | |
|--------------|------------------------------|-----------|
| USER NAME = | DESIGNED - R.K.-Z. 6/15/2012 | REVISED - |
| PLOT SCALE = | CHECKED - J.J.G. 6/15/2012 | REVISED - |
| PLOT DATE = | DRAWN - R.K.-Z. 6/15/2012 | REVISED - |
| | CHECKED - J.J.G. 6/15/2012 | REVISED - |

**STATE OF ILLINOIS
DEPARTMENT OF TRANSPORTATION**

**WALL PANEL ELEVATIONS I
STRUCTURE NUMBER 045-W014**

SHEET NO. SA4 OF 11 SHEETS

| | | | | |
|-----------------|--------------------|--------|---------------------------|-----------|
| F.A.P. RTE. | SECTION | COUNTY | TOTAL SHEETS | SHEET NO. |
| 349 | (10 & 11VB) R-3 | KANE | 507 | 341 |
| STA. 1252+00.00 | CONTRACT NO. 60133 | | ILLINOIS FED. AID PROJECT | |