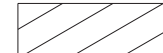
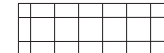

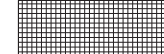




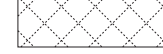
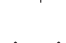
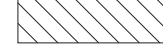


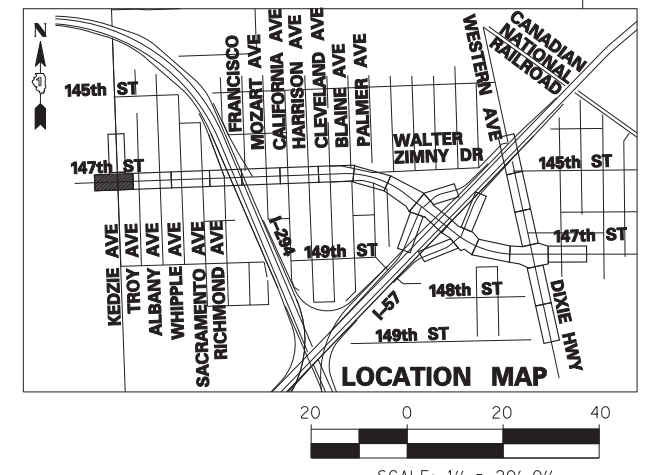


LEGEND:

- | | | | |
|---|-------------------------------------|---|---|
|  | PAVEMENT REMOVAL |  | DRIVEWAY PAVEMENT REMOVAL |
|  | PAVEMENT PATCHING, CLASS D, TYPE IV |  | HMA SURFACE REMOVAL |
|  | MEDIAN REMOVAL |  | TREE REMOVAL (UNITS) (NO UNIT SHOWN = <6) |
|  | MEDIAN SURFACE REMOVAL |  | TREE TRUNK PROTECTION |
|  | SIDEWALK REMOVAL |  | LIGHT POLE AND FOUNDATION REMOVAL (SEE ROADWAY LIGHTING & SURVEILLANCE PLANS) |
|  | PAVED SHOULDER REMOVAL |  | CHAIN LINK FENCE REMOVAL |
| | |  | COMB CONC CURB & GUTTER REMOVAL |

NOTE: SEE EXISTING DRAINAGE AND REMOVAL PLANS FOR ADDITIONAL UTILITY STRUCTURE REMOVALS AND ADJUSTMENTS.



TYLIN INTERNATIONAL	USER NAME =	DESIGNED -	REVISED -
	PLOT SCALE =	DRAWN -	REVISED -
	PLOT DATE =	CHECKED -	REVISED -
		DATE - 5/23/2012	REVISED -

**STATE OF ILLINOIS
DEPARTMENT OF TRANSPORTATION**

**147TH STREET PROJECT
REMOVAL PLANS - 147TH STREET**

SCALE: 1"=20' SHEET NO. 1 OF 20 SHEETS STA. 1003+00 TO STA. 1009+00

F.A.I. RTE.	SECTION	COUNTY	TOTAL SHEETS	SHEET NO.
XX	(0405-1 & 0506-2) R-1	COOK	577	37
CONTRACT NO. 60M57				
FED. ROAD DIST. NO.	ILLINOIS FED. AID PROJECT			