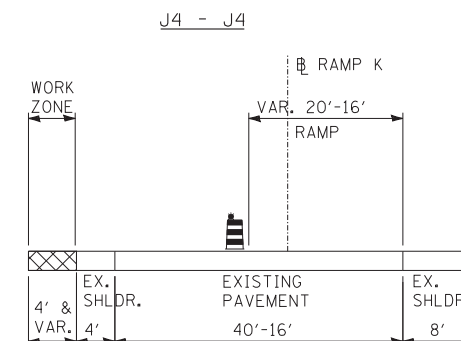


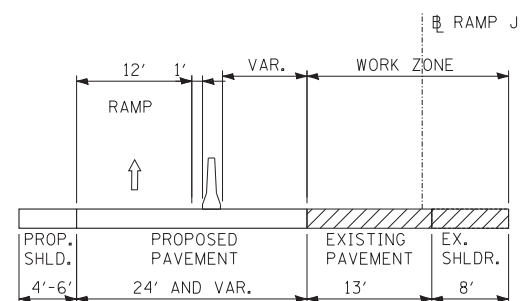
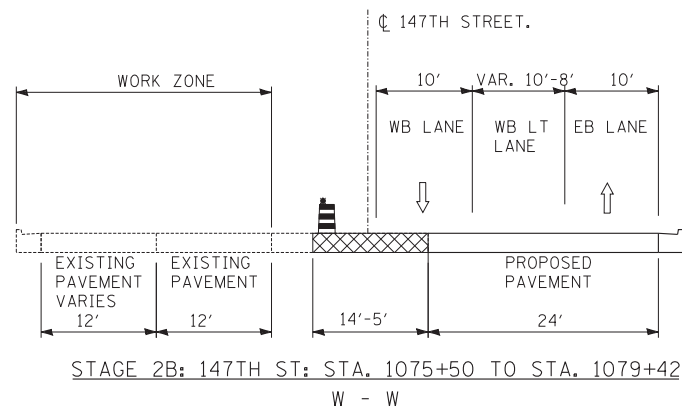
STAGE 1 RAMP J: I-57 NB EXIT RAMP TO 147TH ST.

J1 - J1



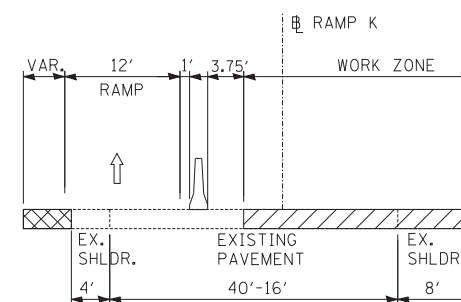
STAGE 1 RAMP K: I-57 NB ENTRANCE RAMP FROM 147TH ST.

K4 - K4



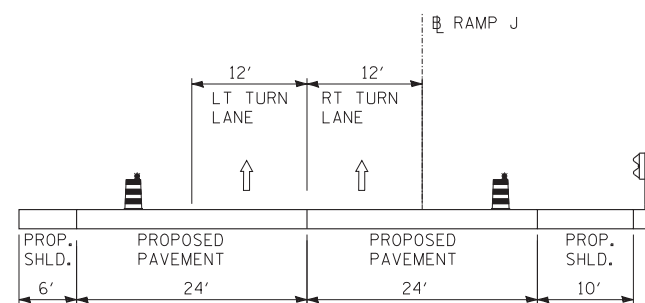
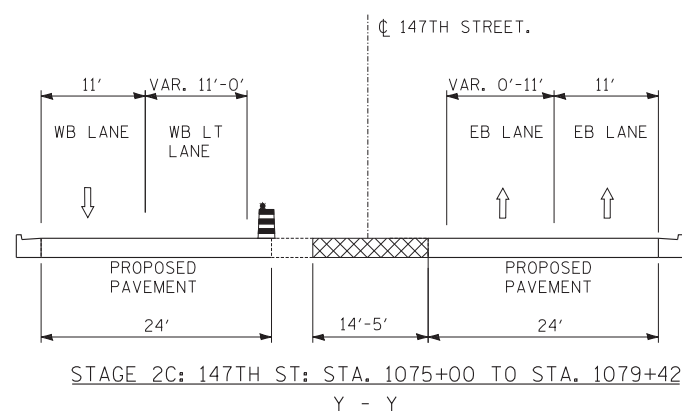
STAGE 1A RAMP J: I-57 NB EXIT RAMP TO 147TH ST.

J2 - J2



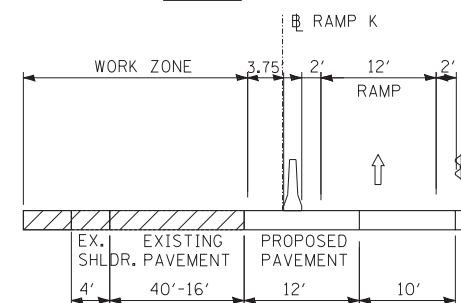
STAGE 2 RAMP K: I-57 NB ENTRANCE RAMP FROM 147TH ST.

K1 - K1



STAGE 2 RAMP J: I-57 NB EXIT RAMP TO 147TH ST.

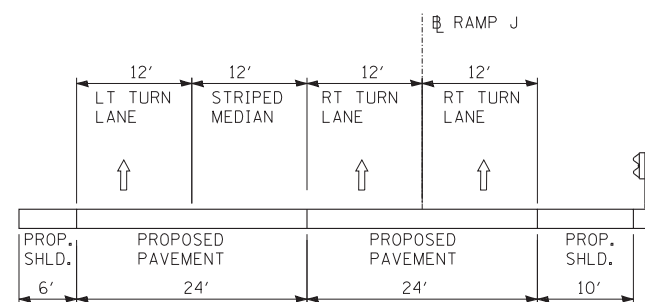
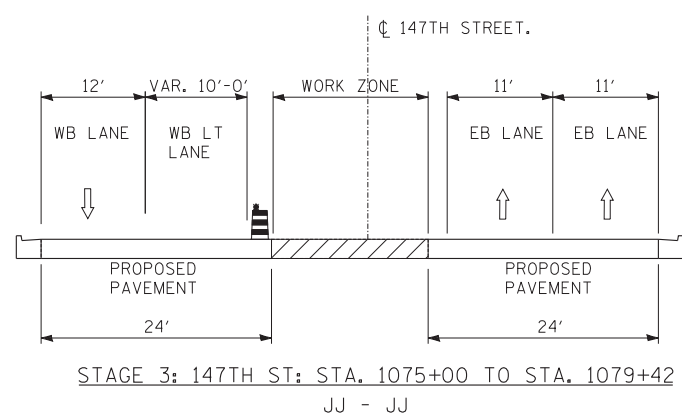
J3 - J3



STAGES 2A AND 2B RAMP K: I-57 NB ENTRANCE RAMP FROM 147TH ST.

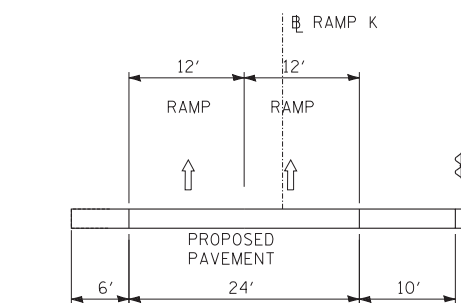
K2 - K2

• WORK ZONE FROM STA. 1075+07 TO STA. 1075+83



STAGE 3 RAMP J: I-57 NB EXIT RAMP TO 147TH ST.

J4 - J4



STAGE 3 RAMP K: I-57 NB ENTRANCE RAMP FROM 147TH ST.

K3 - K3

LEGEND

- TRAFFIC MOVEMENT
- TEMPORARY CONCRETE BARRIER (WITH MONO-DIRECTIONAL PRISMATIC REFLECTORS ON TOP AND SIDE FACING TRAFFIC)
- WORK ZONE
- TEMPORARY PAVEMENT
- DRUM WITH MONO-DIRECTIONAL STEADY BURNING LIGHT

TYLIN INTERNATIONAL

USER NAME =	DESIGNED - JDU	REVISED -
DRAWN - JDU	REVISED -	
PLOT SCALE =	CHECKED - SES	REVISED -
PLOT DATE =	DATE - 5/23/2012	REVISED -

STATE OF ILLINOIS  
DEPARTMENT OF TRANSPORTATION

147TH STREET PROJECT  
MAINTENANCE OF TRAFFIC - TYPICAL SECTIONS

SCALE: N.T.S. SHEET NO. 7 OF 8 SHEETS STA. TO STA.

F.A.I. RTE.	SECTION	COUNTY	TOTAL SHEETS	SHEET NO.
XX	(0405-1 & 0506-2) R-1	COOK	577	99
CONTRACT NO. 60M57				
FED. ROAD DIST. NO.	ILLINOIS FED. AID PROJECT			