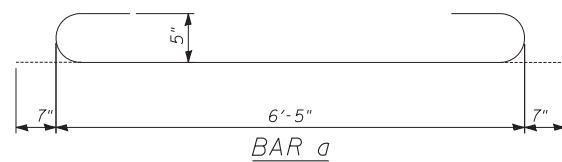
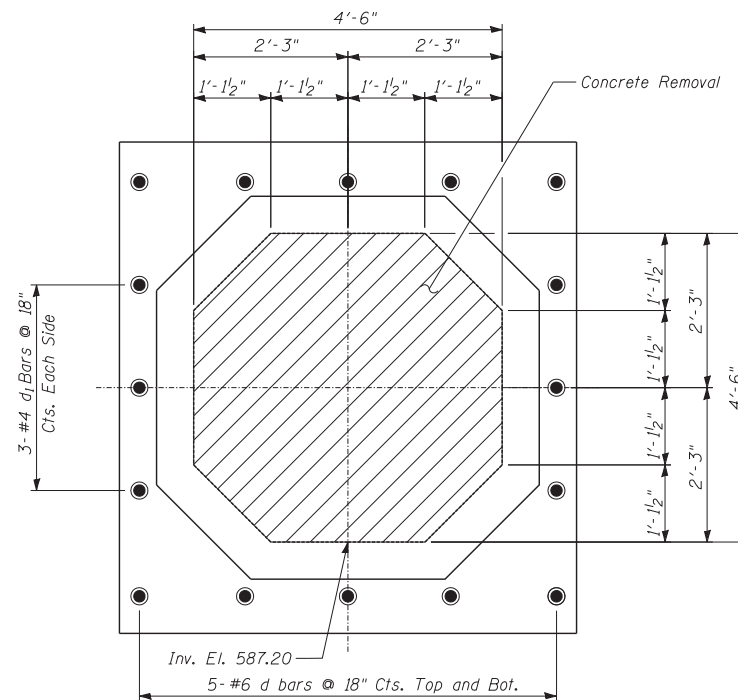


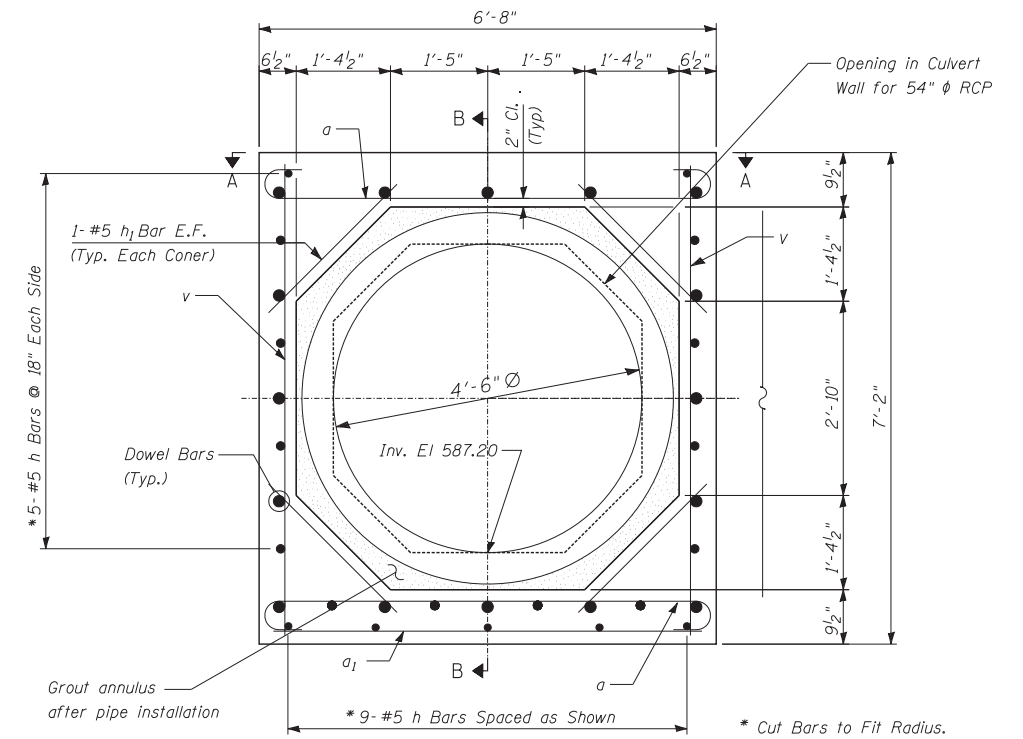
SECTION A-A
(Dowel Bars Not Shown for Clarity)



BAR a



CONCRETE REMOVAL & DOWEL BAR
LAYOUT - ELEVATION



COLLAR DETAIL - ELEVATION

BILL OF MATERIAL

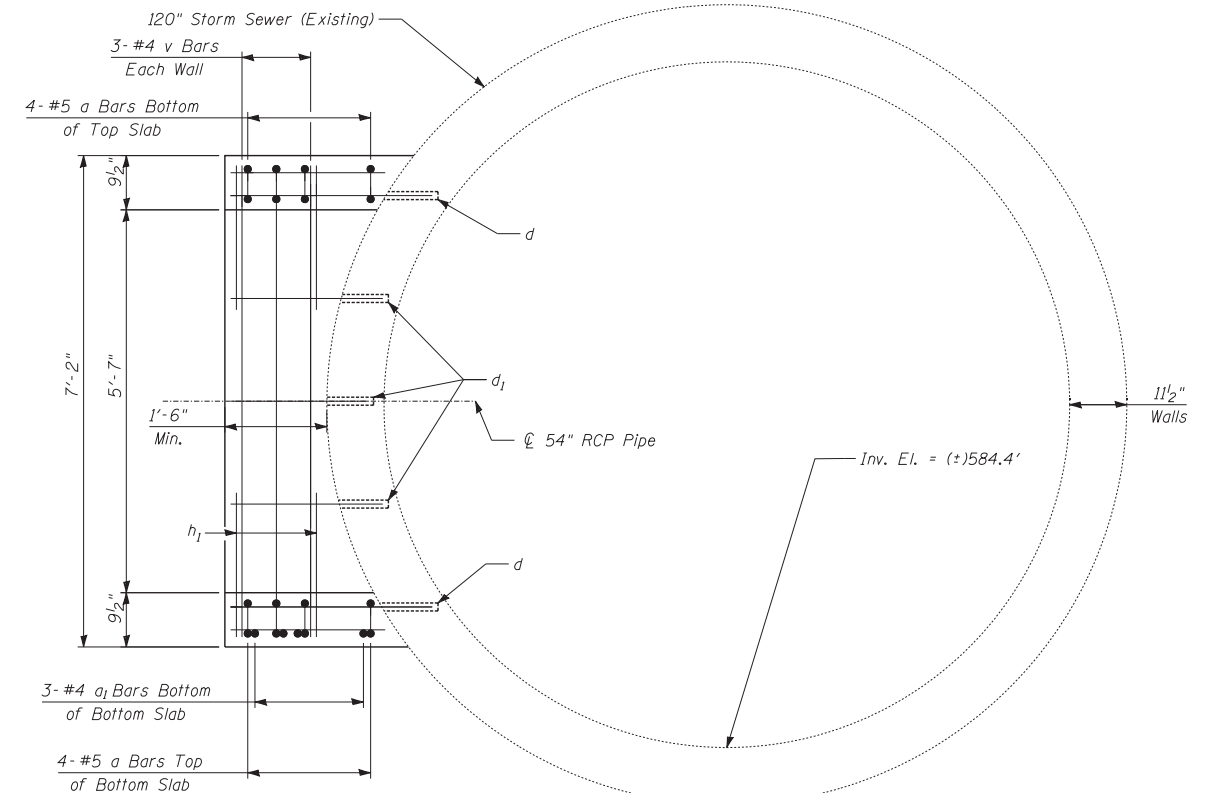
Bar	Number	Size	Length	Shape	
a	8	#5	7'-7"	U	
a1	4	#4	6'-4"	—	
h	19	#5	2'-1"	—	
h1	8	#5	3'-2"	—	
v	6	#5	6'-10"	—	
d	10	#6	2'-11"	—	
d1	6	#4	2'-1"	—	
Proposed Storm Sewer Connection To Existing Storm Sewer				EACH	1

NOTES:

Drill and epoxy grout d & d1 bars according to Article 584 of the Standard Specifications.

The volume of concrete removal is 0.7 cu. yd.

The volume of concrete for the pipe collar is 1.9 cu. yd.



SECTION B-B