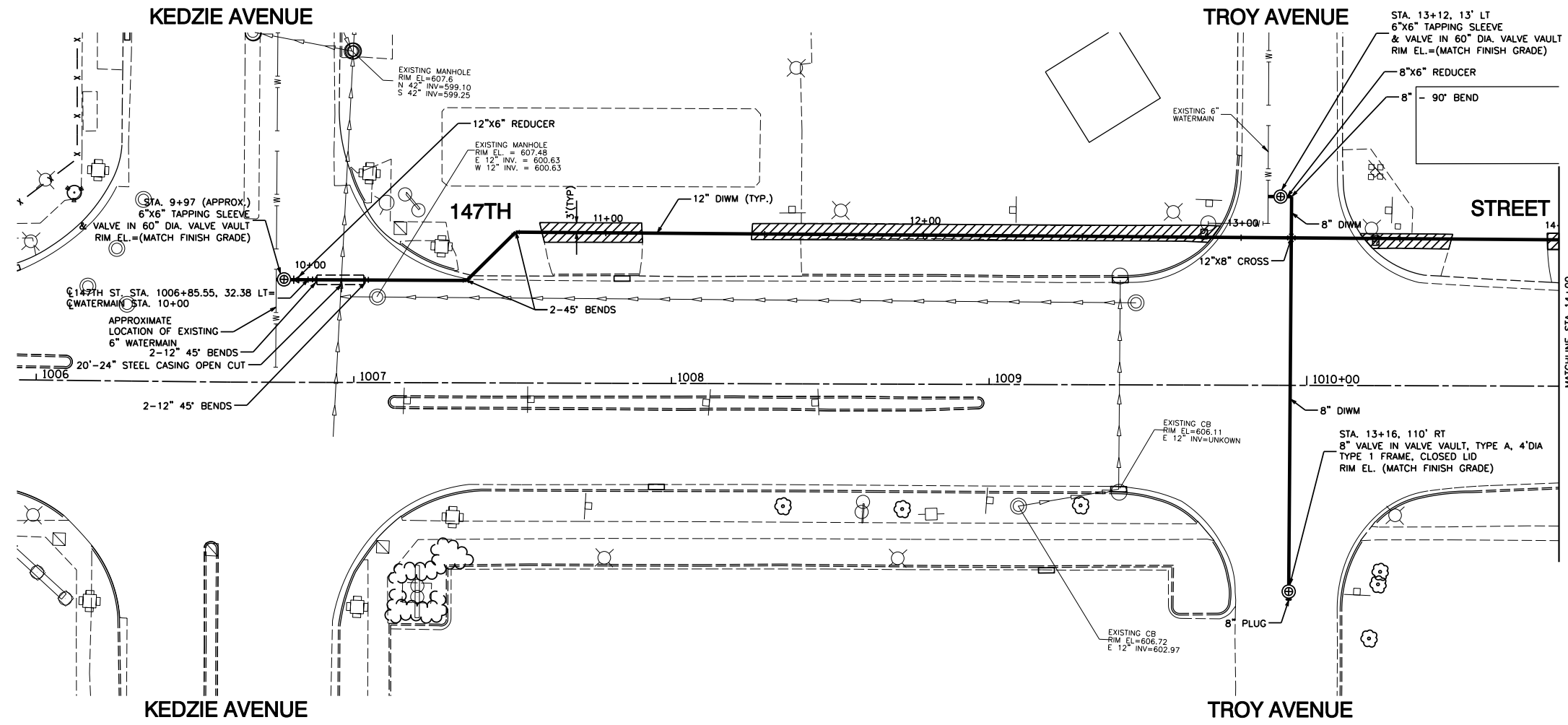
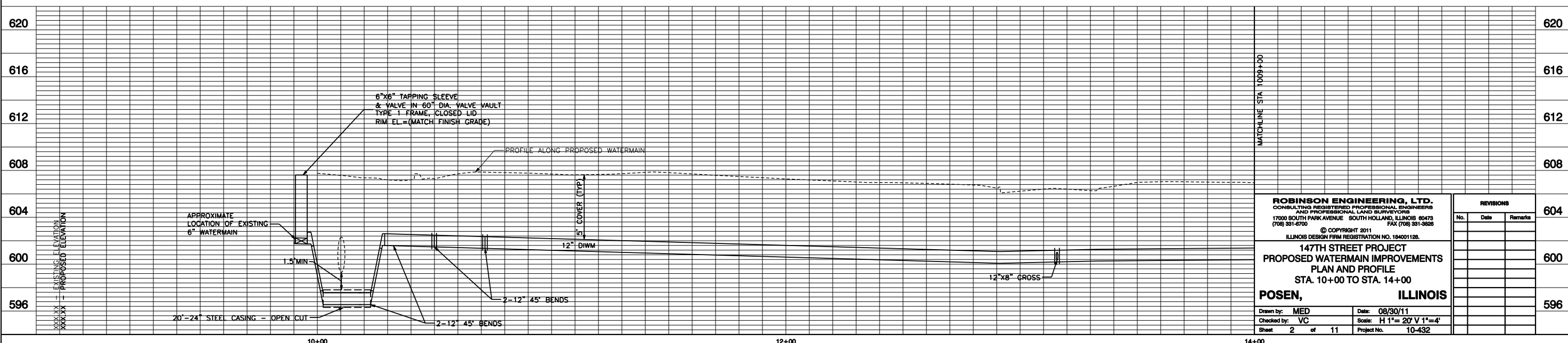


SECTION 12, TOWNSHIP 36, RANGE 13



- LEGEND:**
- PROPOSED FIRE HYDRANT W/ AUX. VALVE, VALVE BOX & TEE
 - PROPOSED VALVE VAULT, TYPE 1 FR., CL
 - EXISTING WATER MAIN
 - PROPOSED D.I.W.M., CLASS 52, WITH POLYETHYLENE ENCASUREMENT
 - EXISTING STORM SEWER
 - SIDEWALK REMOVAL AND REPLACEMENT
-PORTLAND CEMENT CONCRETE 5 INCH
-AGGREGATE BASE COURSE, TYPE B 4 INCH
 - DETECTABLE WARNINGS



MATCHLINE STA. 1009+00

<p>ROBINSON ENGINEERING, LTD. CONSULTING REGISTERED PROFESSIONAL ENGINEERS AND PROFESSIONAL LAND SURVEYORS 17000 SOUTH PARK AVENUE SOUTH HOLLAND, ILLINOIS 60473 (708) 381-6700 FAX (708) 381-3826</p> <p>© COPYRIGHT 2011 ILLINOIS DESIGN FIRM REGISTRATION NO. 184001128.</p>		<p>REVISIONS</p> <table border="1"> <thead> <tr> <th>No.</th> <th>Date</th> <th>Remarks</th> </tr> </thead> <tbody> <tr> <td> </td> <td> </td> <td> </td> </tr> <tr> <td> </td> <td> </td> <td> </td> </tr> </tbody> </table>		No.	Date	Remarks						
No.	Date	Remarks										
<p>147TH STREET PROJECT PROPOSED WATERMAIN IMPROVEMENTS PLAN AND PROFILE STA. 10+00 TO STA. 14+00</p>		<p>POSEN, ILLINOIS</p>										
<p>Drawn by: MED Checked by: VC Sheet 2 of 11</p>	<p>Date: 08/30/11 Scale: H 1"= 20' V 1"= 4' Project No. 10-432</p>	<p>604</p> <p>600</p> <p>596</p>										

LAST DIMED BY: MCDONN ON 08/01
PLOTTED BY: MATTHEW DOWNS ON 08/10