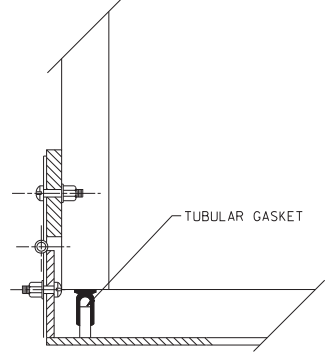
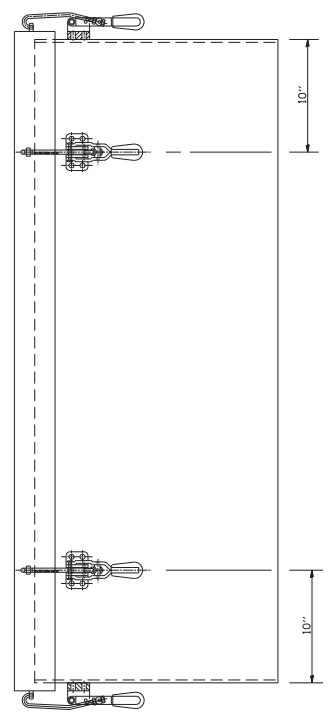


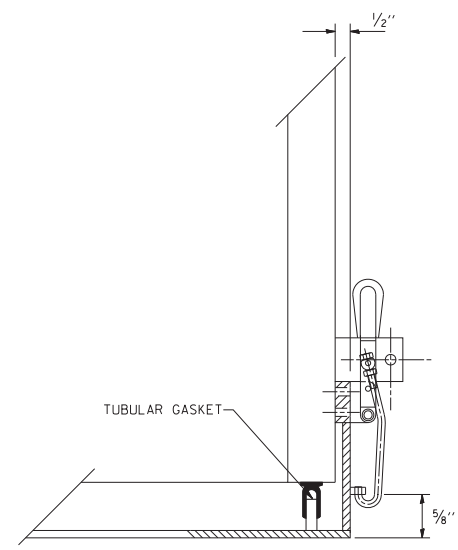
TOP VIEW



HINGE DETAIL

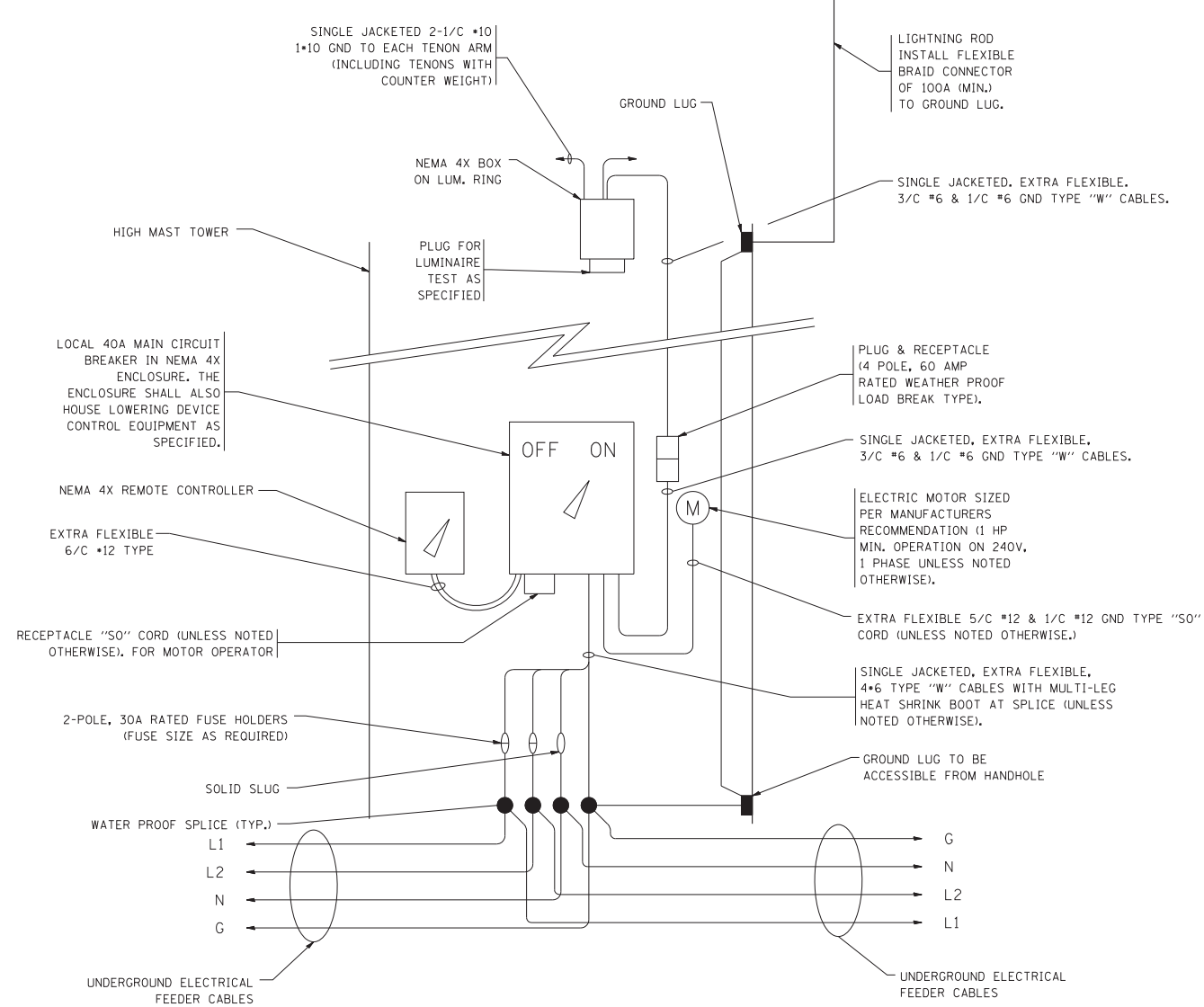


SIDE VIEW

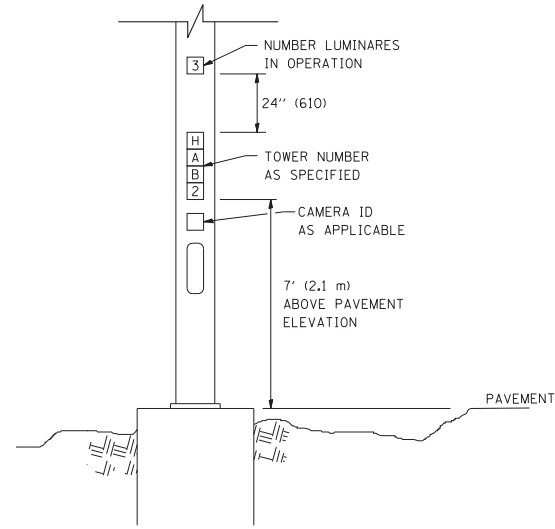


LATCH DETAIL

HANDHOLE DOOR DETAILS



HIGH MAST POLE WIRING DIAGRAM



LIGHT TOWER NUMBERING DETAIL

FILE NAME =	USER NAME = drivakosgn	DESIGNED -	REVISED - R. TOMSONS 08-04-03
ct:\pw\work\p\dot\drivakosgn\d0108364\be500.dgn		DRAWN -	REVISED - R. TOMSONS 05-11-09
		CHECKED -	REVISED - R. TOMSONS 09-02-09
		DATE -	REVISED -

**STATE OF ILLINOIS  
DEPARTMENT OF TRANSPORTATION**

**HIGH MAST LIGHT TOWER**  
**90 FT TO 110 FT (27 m TO 34 m)**

SCALE: NONE SHEET NO. 3 OF 3 SHEETS STA. TO STA.

F.A. RTE.	SECTION	COUNTY	TOTAL SHEETS	SHEET NO.
	(0405-1 & 0506-2) R-1	COOK	577	442
<b>BE-500</b>		CONTRACT NO.	60M57	
FED. ROAD DIST. NO. 1 ILLINOIS FED. AID PROJECT				