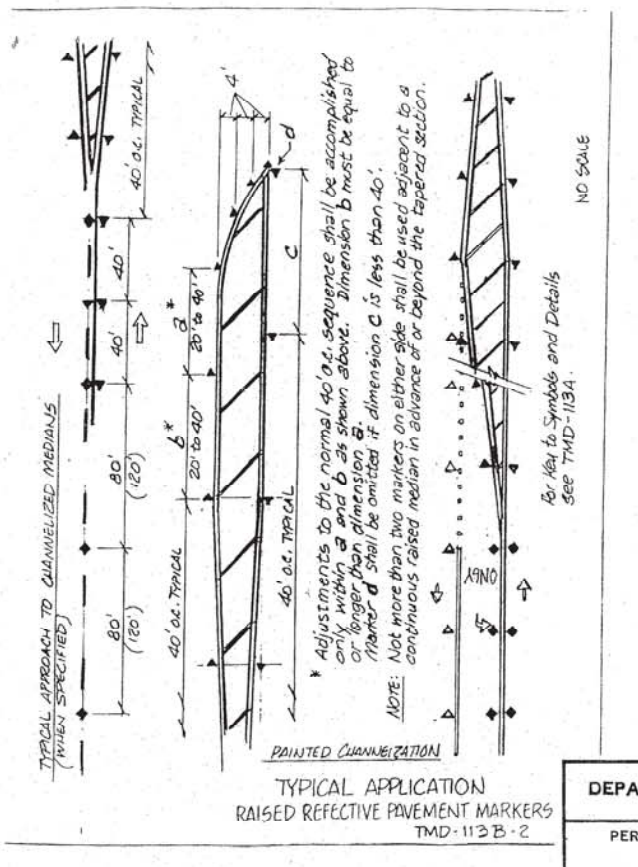
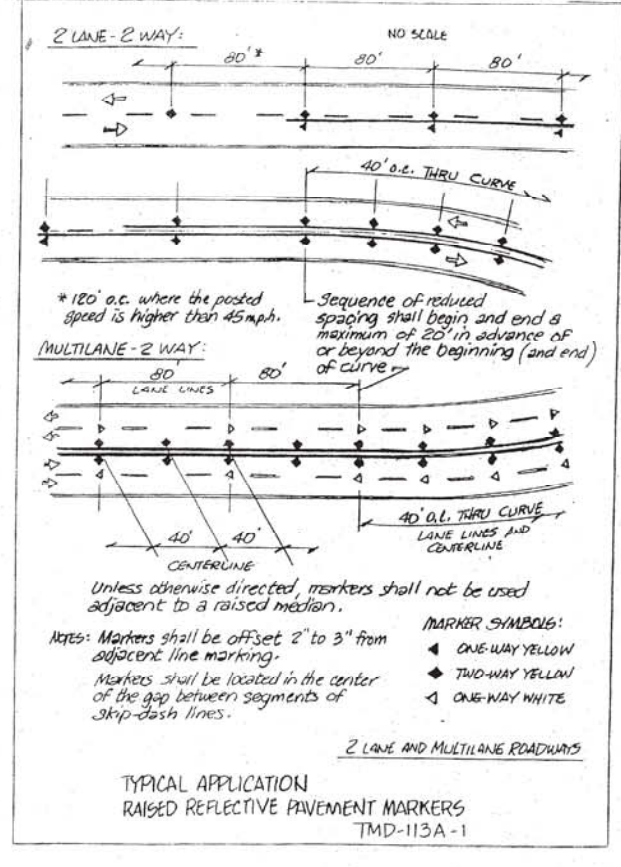
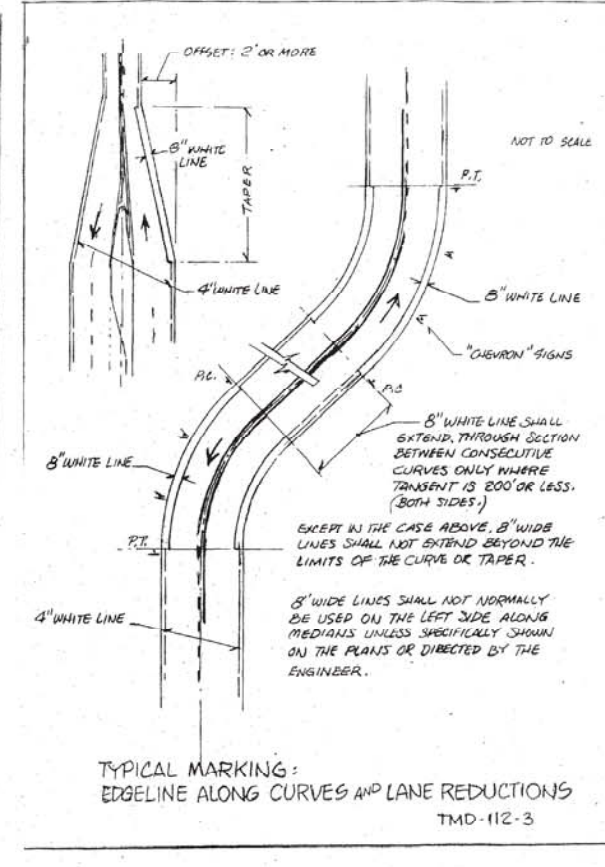
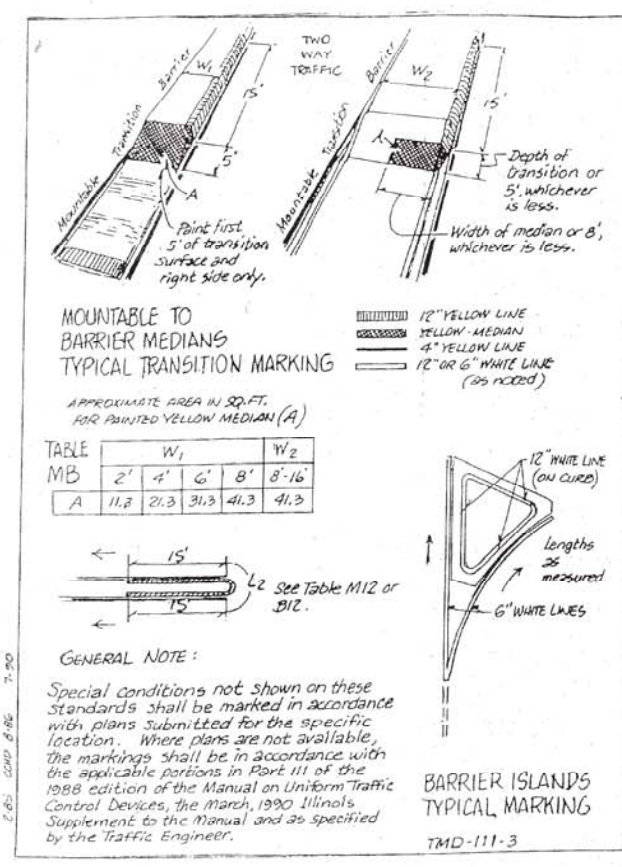
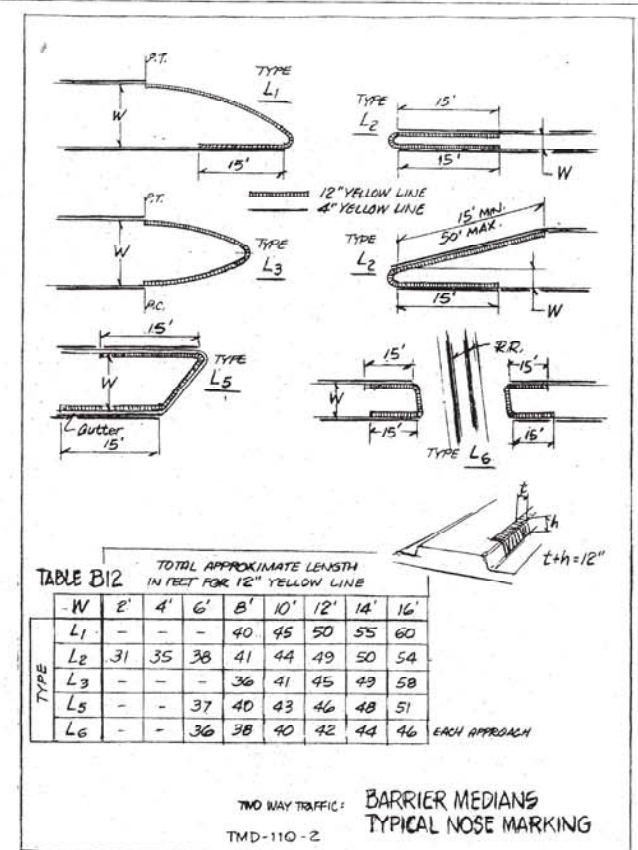
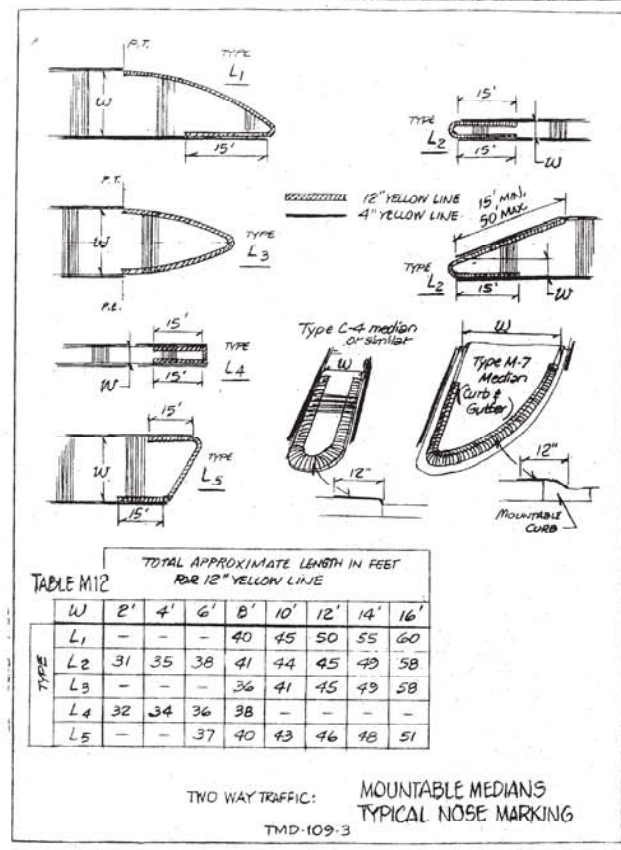
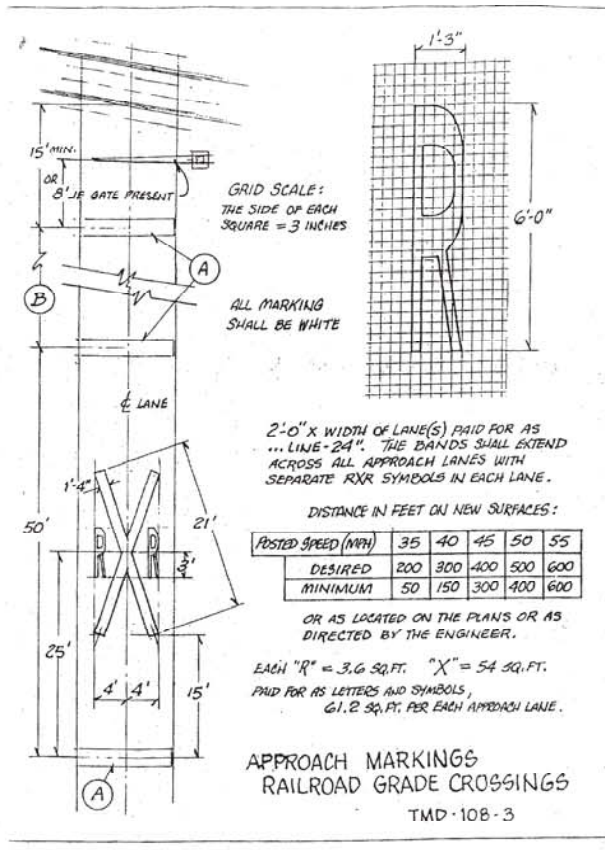


ESTIMATED QUANTITIES:

Line	6"	12"
Type	143	213
Length in feet per 12' lane	24	24
Added lin. ft. per corner	10	6



COUNTY OF COOK DEPARTMENT OF HIGHWAYS

PERMANENT PAVEMENT MARKING STANDARDS (SHEET 2 OF 2)

COMPUTED	APPROVED
DRAWN	
CHECKED	