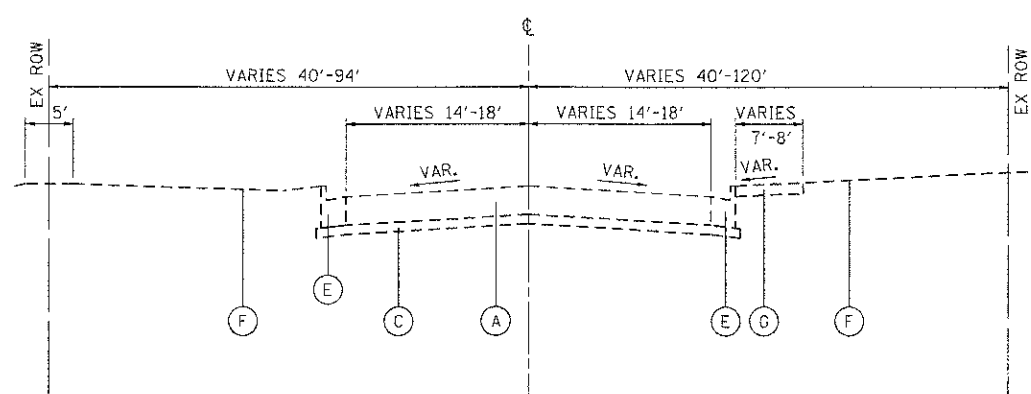
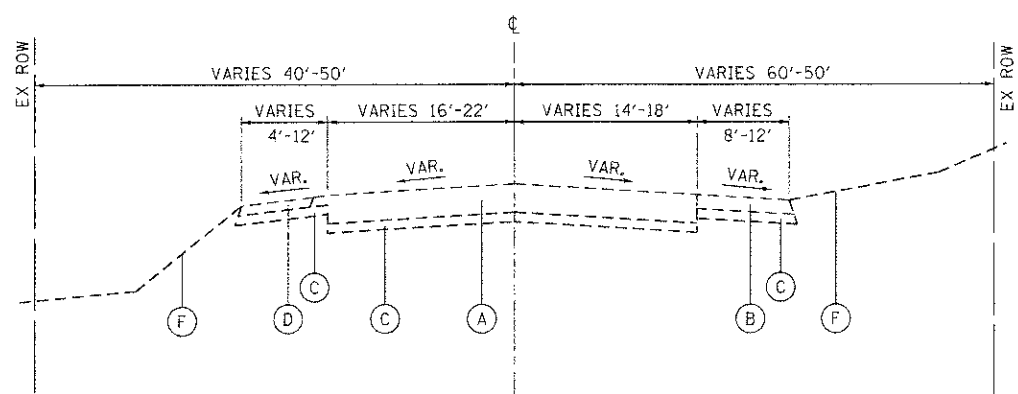


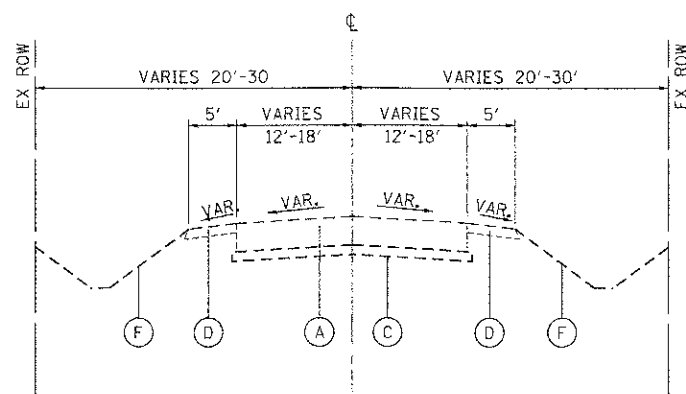
EXISTING CHARLES J. MILLER ROAD
STA. 567+00 TO STA. 574+50



EXISTING CHARLES J. MILLER ROAD
STA. 601+30 TO STA. 606+04



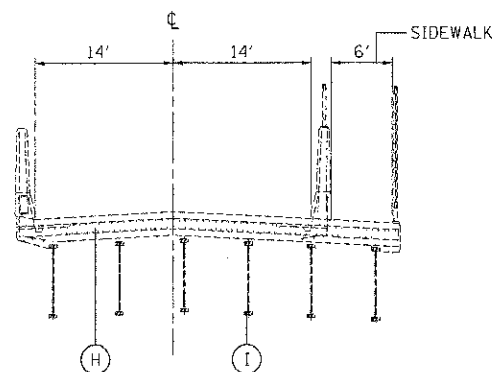
EXISTING CHARLES J. MILLER ROAD
STA. 574+50 TO STA. 594+32



EXISTING RIVER ROAD
STA. 19+00 TO STA. 45+40

EXISTING TYPICAL SECTION LEGEND

- (A) HOT-MIX ASPHALT PAVEMENT; DEPTH VARIES (6" TO 10")
- (B) HOT-MIX ASPHALT SHOULDERS
- (C) SUBBASE GRANULAR MATERIAL
- (D) AGGREGATE SHOULDERS
- (E) COMBINATION CONCRETE CURB AND GUTTER
- (F) EXISTING GRADE
- (G) HOT-MIX ASPHALT PAVEMENT, BIKE PATH
- (H) REINFORCED CONCRETE SLAB (SEE STRUCTURAL PLAN)
- (I) STEEL GIRDER (SEE STRUCTURAL PLAN)



EXISTING CHARLES J. MILLER ROAD BRIDGE
STA. 594+32 TO STA. 601+30

7/23/2012 10:05:53 AM
090011-19-01.dgn
ped.cah
standard-trans.tbl



USER NAME = jattana	DESIGNED - JPA	REVISED -
FILE NAME = 090011-19-01.dgn	DRAWN - SVJ	REVISED -
PLOT SCALE = N.T.S.	CHECKED - JLP	REVISED -
PLOT DATE = 7/23/2012	DATE - 7/23/12	REVISED -

MCHENRY COUNTY
DIVISION OF TRANSPORTATION

TYPICAL SECTIONS
CHARLES J. MILLER ROAD ROADWAY IMPROVEMENTS

SCALE: N.T.S. SHEET NO. 1 OF 4 SHEETS STA. TO STA.

F.A.U. NO.	SECTION	COUNTY	TOTAL SHEETS	SHEET NO.
3880	09-00372-00-PW	MCHENRY	252	15
FED. ROAD DIST. NO.			CONTRACT NO. 63633	
ILLINOIS FED. AID PROJECT				