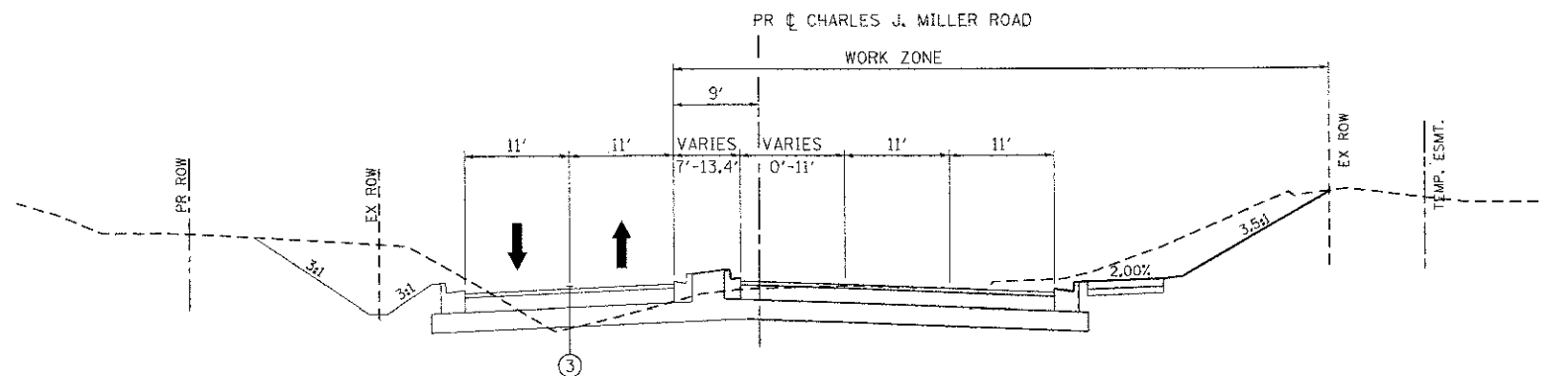
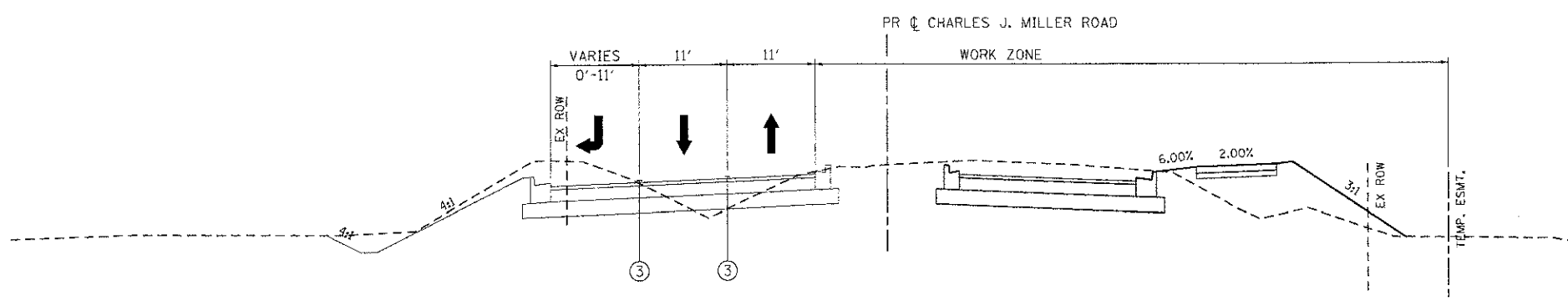


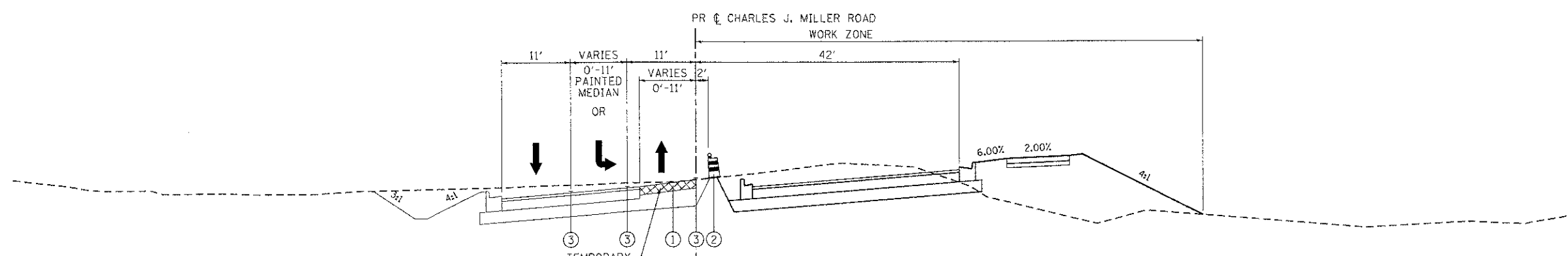
CHARLES J. MILLER ROAD STAGE 2  
STA. 567+00 TO STA 571+00



CHARLES J. MILLER ROAD STAGE 2  
STA. 571+00 TO STA 575+00



CHARLES J. MILLER ROAD STAGE 2  
STA. 575+00 TO STA 579+00



CHARLES J. MILLER ROAD STAGE 2  
STA. 579+00 TO STA 582+19

- LEGEND:**
- ① TEMPORARY PAVEMENT, 10" (SEE NOTE 2)
  - ② TYPE II BARRICADES OR DRUMS WITH STEADY BURNING LIGHTS @ 50 FT CENTERS ALONG ROADWAY TANGENTS, 25 FT CENTERS ALONG TAPERS, AND 12 FT CENTERS ALONG RADII
  - ③ PAVEMENT MARKING TAPE, TYPE III; TEMPORARY PAVEMENT MARKING (SEE NOTE 1)
  - ④ EXISTING PAVEMENT MARKING
  - ⑤ VERTICAL PANELS WITH STEADY BURNING LIGHTS (50 FT CENTERS)
  - ➔ DIRECTION OF TRAFFIC

- MAINTENANCE OF TRAFFIC NOTES:**
1. SEE MAINTENANCE OF TRAFFIC PLAN SHEETS FOR LOCATIONS AND TYPE OF TEMPORARY PAVEMENT MARKING.
  2. SEE MAINTENANCE OF TRAFFIC PLAN SHEETS FOR TEMPORARY PAVEMENT CONSTRUCTION STAGING.

COMPANY NAME: HRGreen  
 PROJECT CONTACT: HRGreen.com  
 DATE PLOTTED: 7/23/2012 10:53:11 AM  
 FILE NUMBER: 090071-motgn-08.dgn  
 PEN TABLE: Standard-Trans.tbl


 HRGreen.com  
 Illinois Professional Design Firm  
 #184-001922

USER NAME = jstane	DESIGNED = JPA	REVISED =
FILE NAME = 090071-motgn-08.dgn	DRAWN = SVJ	REVISED =
PLOT SCALE = N.T.S.	CHECKED = JLP	REVISED =
PLOT DATE = 7/23/2012	DATE = 7/23/12	REVISED =

**MCHENRY COUNTY**  
**DIVISION OF TRANSPORTATION**

**SUGGESTED MAINTENANCE OF TRAFFIC – TYPICAL SECTIONS**  
**CHARLES J. MILLER ROAD ROADWAY IMPROVEMENTS**

F.A.U. RTE.	SECTION	COUNTY	TOTAL SHEETS	SHEET NO.
3860	09-00372-00-PW	MCHENRY	252	26
FED. ROAD DIST. NO.			ILL/NOIS/FED. AID PROJECT	
CONTRACT NO.			63633	

SCALE: N.T.S.    SHEET NO. 4 OF 12 SHEETS    STA. TO STA.