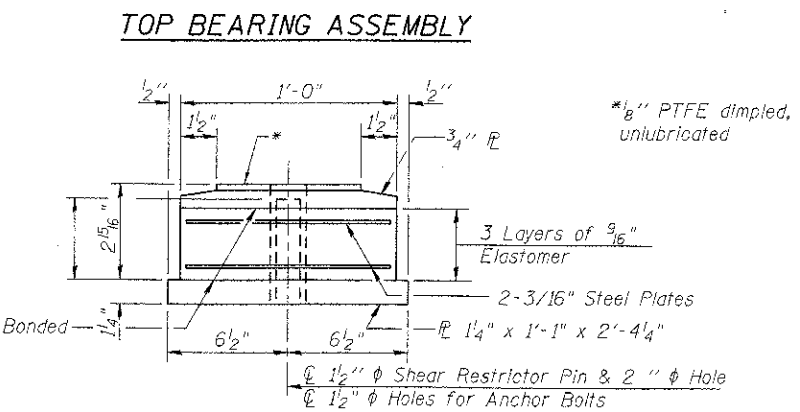
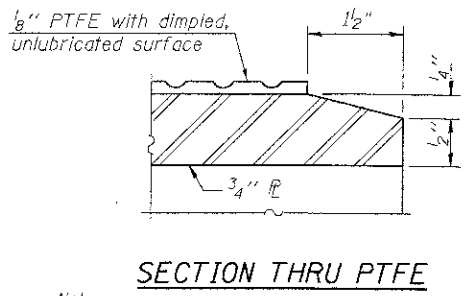
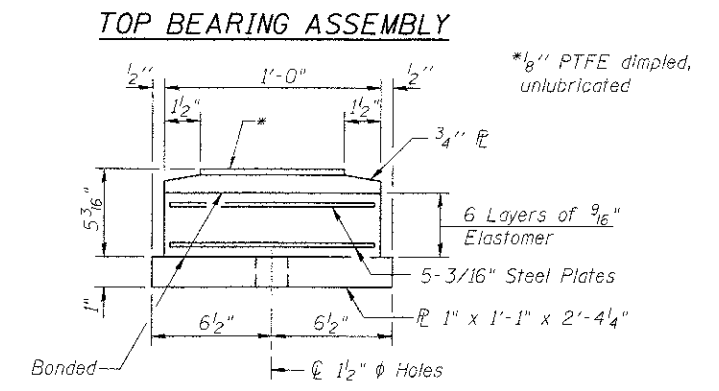
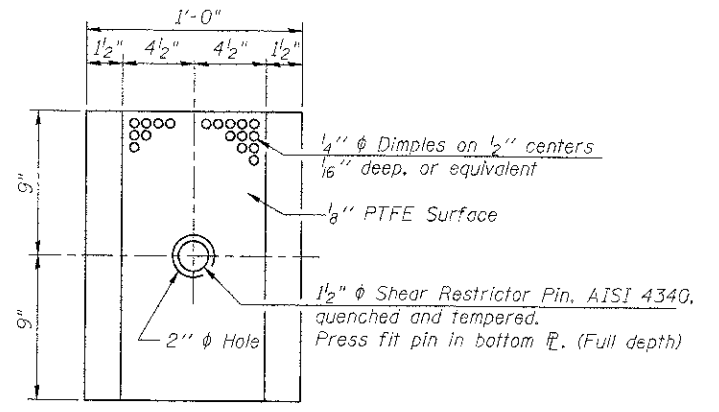
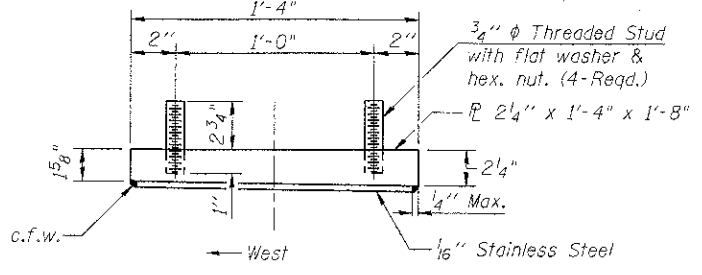
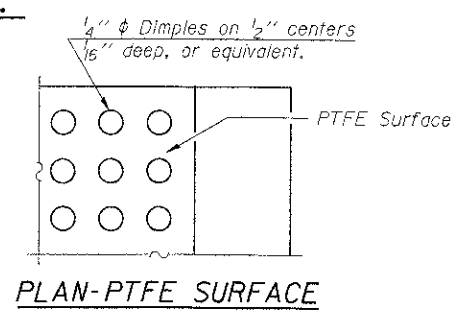
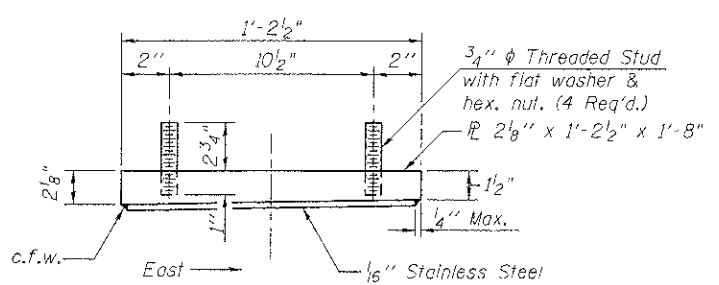
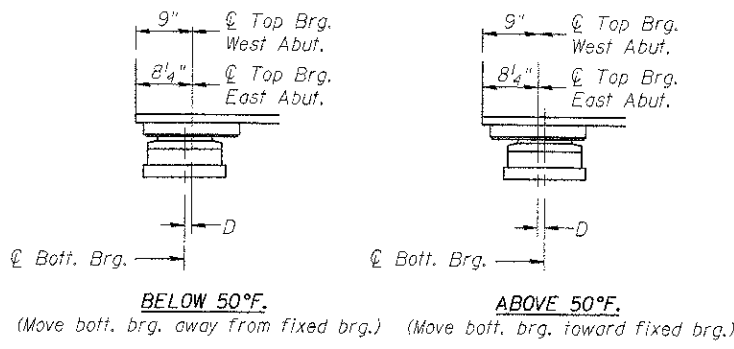
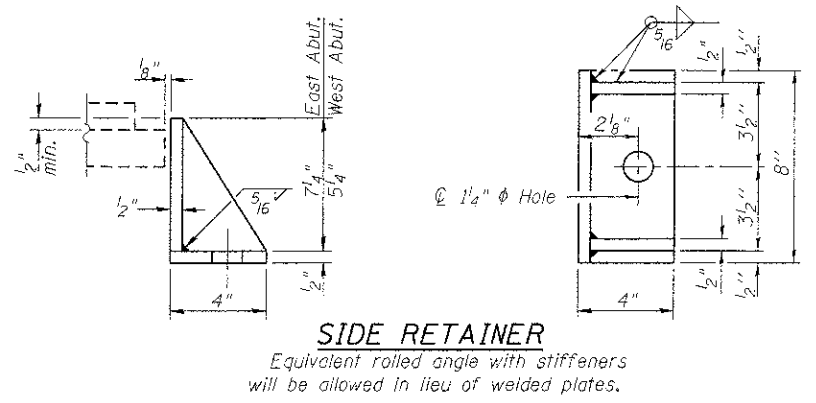


TYPE II ELASTOMERIC EXP. BRG.

TYPE III ELASTOMERIC EXP. BRG.



Notes:
 Anchor bolts shall be ASTM F1554 all-thread (or an Engineer-approved alternate material) of the grade(s) and diameter(s) specified. ASTM A307 Grade C anchor bolts may be used in lieu of ASTM F1554 Grade 36 (Fy=36ksi). The corresponding specified grade of AASHTO M314 anchor bolts may be used in lieu of ASTM F1554.
 Anchor bolts at fixed abutments may be either cast in place or installed in holes drilled after the supported member is in place.
 Anchor bolts for Type II and Type III bearings shall be placed in holes drilled in the concrete through holes in the bottom bearing plate after members are in place. Side retainers shall be placed after bolts are installed.
 Drilled and set anchor bolts shall be installed according to Article 521.06 of the Standard Specifications.
 Side retainers and other steel members required for the bearing assembly shall be included in the cost of Elastomeric Bearing Assembly, as specified.
 The 1/8" PTFE sheet shall be bonded directly to the top steel plate with a two-component, medium viscosity epoxy resin, conforming to the requirements of the Federal Specification MMM-A-134, Type I. The bond agent shall be applied on the full area of the contact surfaces.
 Bonding of 1/8" PTFE sheet during vulcanizing process will be permitted provided the process and method of adjusting assembly height is approved by the Engineer.
 Load carrying components designated "NTR" shall conform to the Supplemental Requirements for Notch Toughness, Zone 2.
 Two 1/8" adjusting shims shall be provided for each bearing in addition to all other plates or shims and placed as shown on bearing details.



BILL OF MATERIAL

Item	Unit	Total
Elastomeric Bearing Assembly, Type II	Each	4
Elastomeric Bearing Assembly, Type III	Each	4
Anchor Bolts, 1"	Each	16

DESIGNED	SSM
CHECKED	RGD
DRAWN	WJH
CHECKED	RGD

**BEARING DETAILS - ABUTMENTS
 STRUCTURE NO. 056-3190**

WB CHARLES J. MILLER ROAD BRIDGE DATE: 7/23/12

SHEET NO. S-24	F.A.U. RTE. 3860	SECTION 09-00372-00-PW	COUNTY MCHENRY	TOTAL SHEETS 252	SHEET NO. 147
S-41 SHEETS			CONTRACT NO. 63633		
FED. ROAD DIST. NO. 1 ILLINOIS FED. AID PROJECT					

