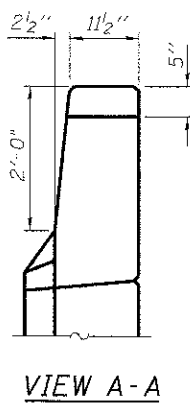
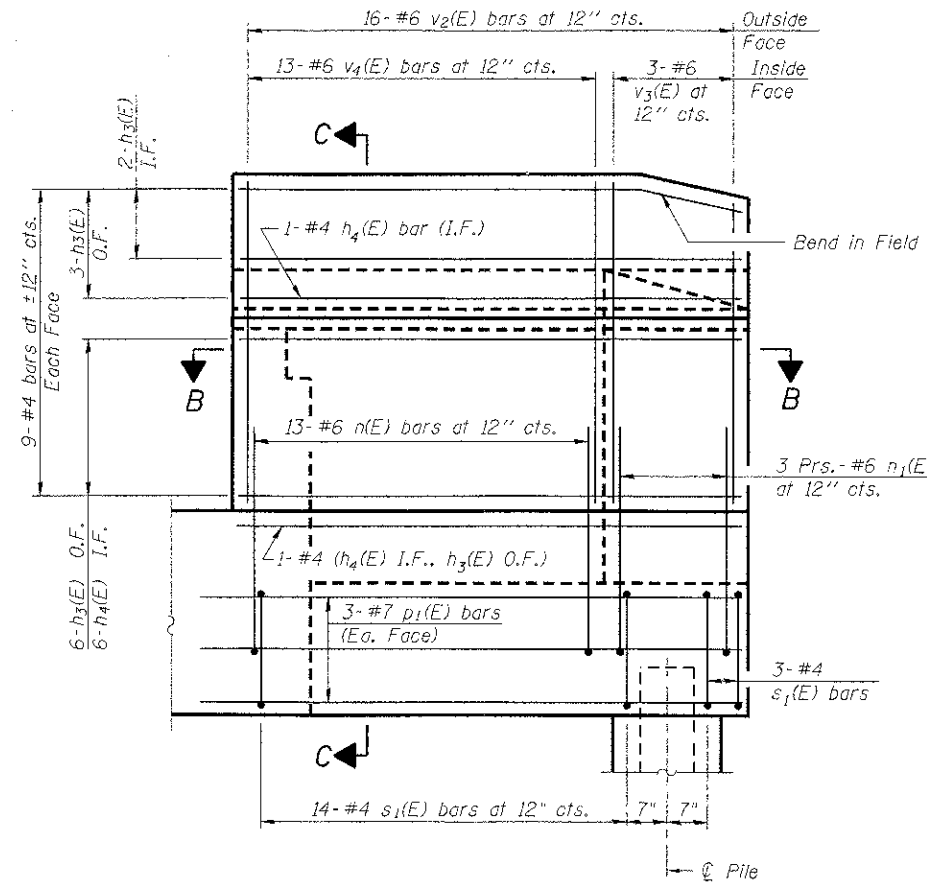


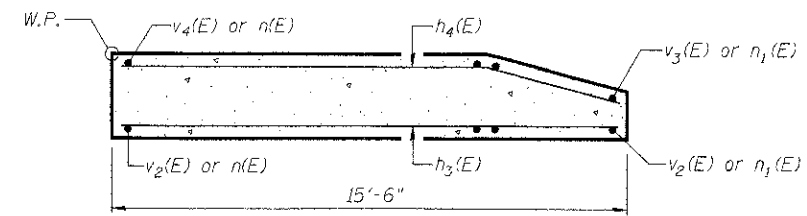
WING WALL ELEVATION
Showing Dimensions



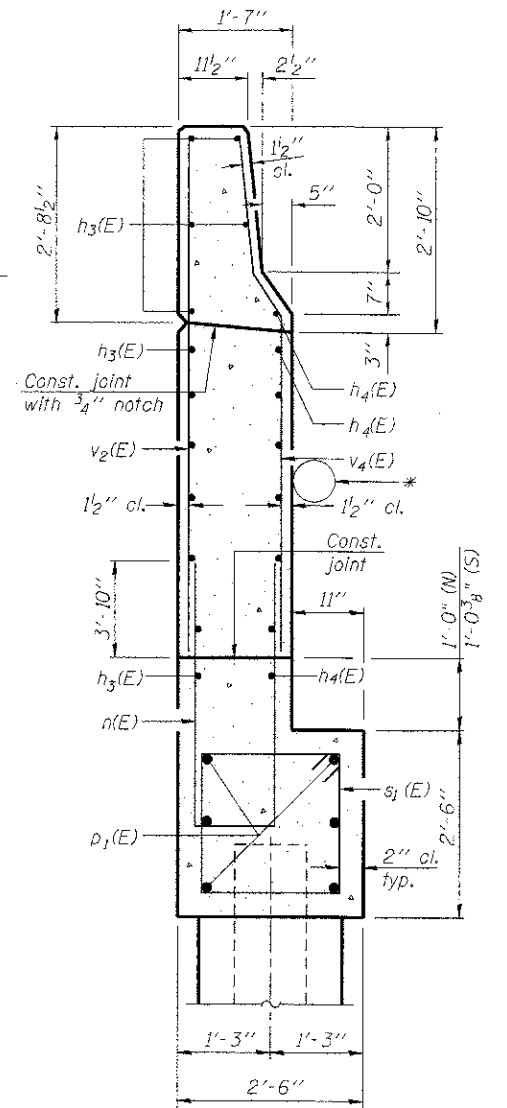
VIEW A-A



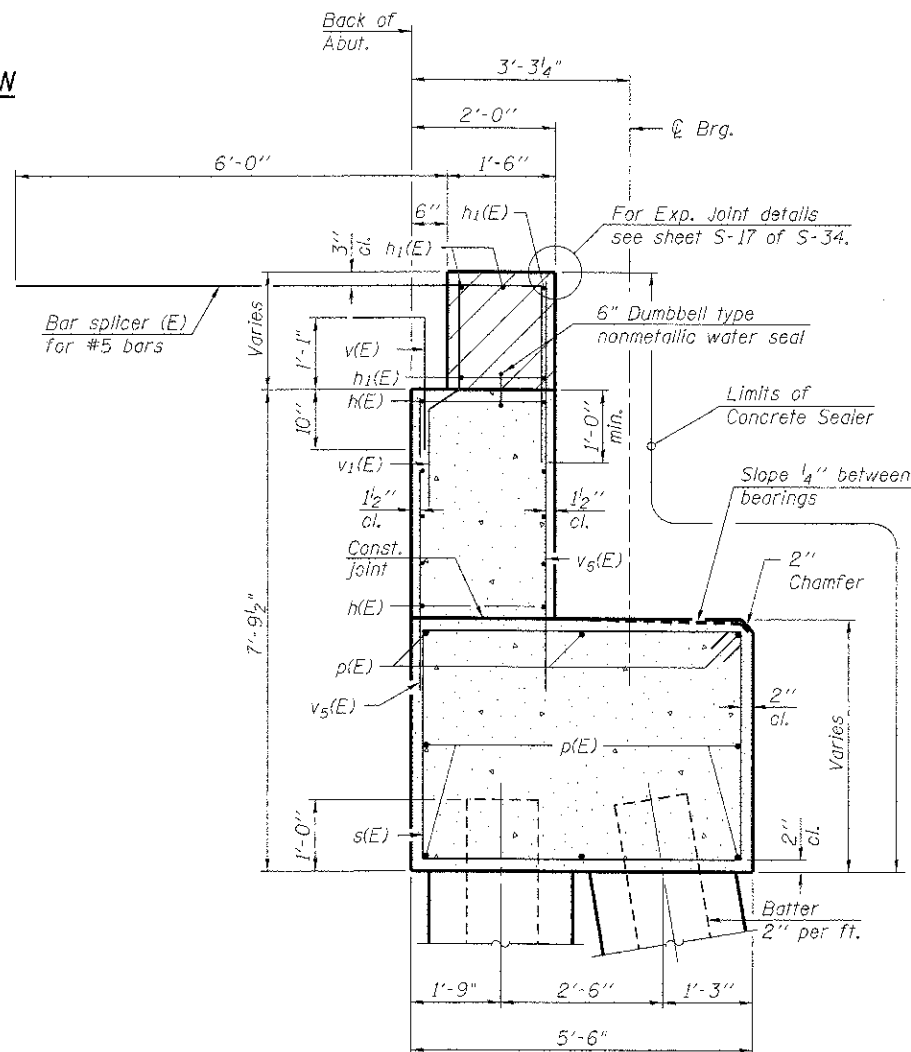
WING WALL ELEVATION
Showing Reinforcement



SECTION B-B



SECTION C-C



SEC. THRU ABUT.

Notes:
Hatched area to be poured after superstructure false work has been removed. Quantity of concrete included with Concrete Superstructure.
Space reinforcement in cap to miss anchor bolts.
Pour steps monolithically with cap.
Quantity of concrete in end post included with Concrete Superstructure on sheet S-11 of S-41.
For Concrete Encasement details, see sheet S-35 of S-41.

* Storm Sewer, Class B, Type 2, 8" PVC.
Invert Elev. at Backwall = 747.65
See East Approach Slab Plans (S-09) for Layout. Coordinate W/6" PVC on Deck Drainage Plan, End Cross Frame and Trough Detail.

EAST ABUTMENT DETAILS
STRUCTURE NO. 056-3190

DESIGNED	SSM
CHECKED	RGD
DRAWN	WJH
CHECKED	RGD

A-1-D

11-1-09



HRGreen.com
Illinois Professional Design Firm
184-001322

WB CHARLES J. MILLER ROAD BRIDGE		DATE: 7/23/12	
SHEET NO. S-29	F.A.U. RTE. 3860	SECTION 09-00372-00-PW	COUNTY McHENRY
S-41 SHEETS	TOTAL SHEETS 252		SHEET NO. 152
CONTRACT NO. 63633			FED. ROAD DIST. NO. 1 ILLINOIS FED. AID PROJECT