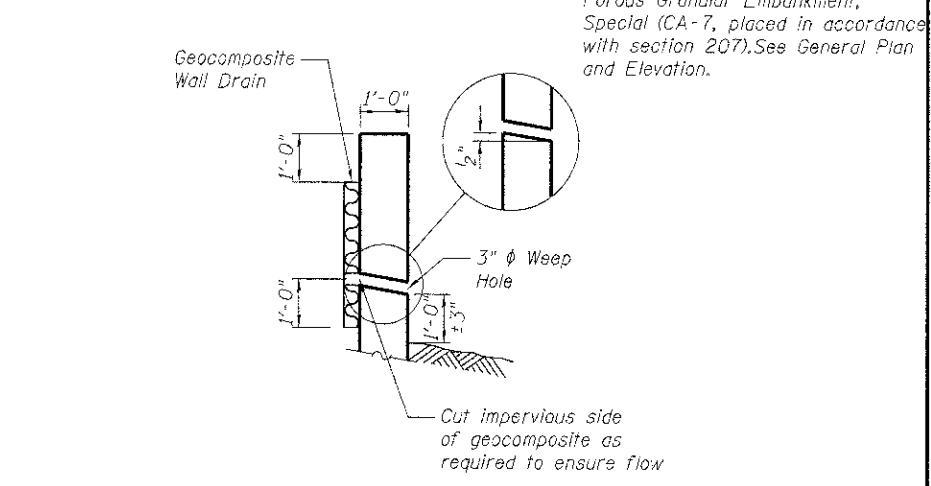


BILL OF MATERIALS

Bar	No.	Size	Length	Shape
V200	174	# 5	33'-3"	—
V201	8	# 5	4'-8"	—
V202	444	# 5	5'-8"	—
V201	21	# 5	6'-2"	—
V202	24	# 6	9'-5"	—
S200	20	# 4	6'-3"	○
T200	598	# 5	8'-8"	—
T201	200	# 5	6'-8"	—
V200	136	# 5	13'-8"	—
V201	68	# 5	12'-8"	—
V202	68	# 5	11'-8"	—
V203	68	# 5	6'-4"	—
V204	68	# 5	9'-2"	—
V205	68	# 5	4'-4"	—
W200	228	# 5	33'-3"	—
W201	18	# 5	8'-7"	—
W202	18	# 5	8'-0"	—
W203	2	# 5	19'-8"	—
Porous Granular Embankment, Special	Cu. Yd.		905	
Structure Excavation	Cu. Yd.		1085	
Concrete Structures	Cu. Yd.		256.0	
Reinforcement Bars, Epoxy Coated	Pound		29,380	
Geocomposite Wall Drain	Sq. Yd.		160	

SECTION A-A
(Not to Scale)



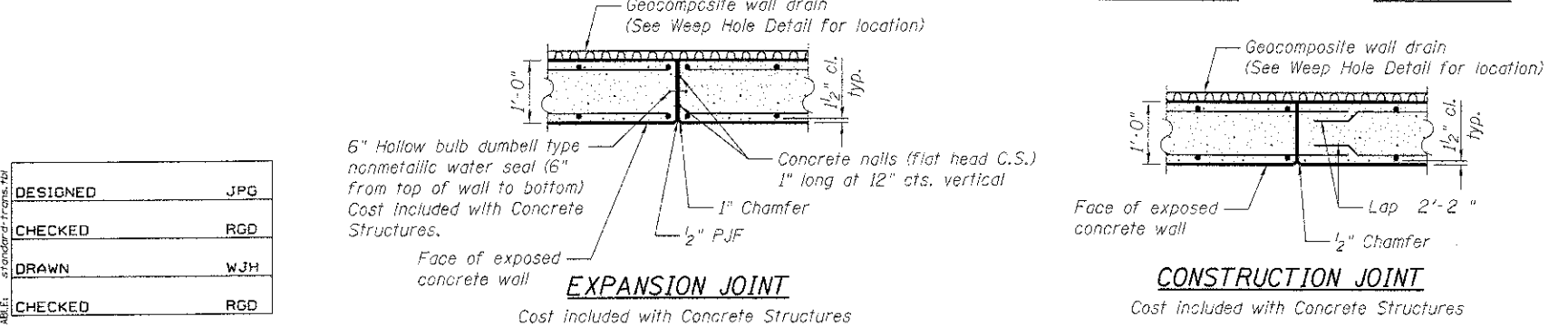
WEEP HOLE DRAIN DETAIL

RIVER ROAD RETAINING WALL TYPICAL SECTION & DETAILS

MINIMUM BAR LAP
#5 Bar = 3'-3"

V200(E), V201(E), V202(E) and V204(E) BARS FIELD CUTTING DIAGRAM

* Order V200(E), V201(E), V202(E), & V204(E) bars full length. Cut to fit and use remainder in adjacent wall section. For example Section 1 remainders used in Section 2.



DESIGNED	JPG
CHECKED	RGD
DRAWN	WJH
CHECKED	RGD



HRGreen.com
Illinois Professional Design Firm
184-001322

SHEET NO. SB-5	F.A.U. RTE.	SECTION	COUNTY	TOTAL SHEETS	SHEET NO.
	89	09-00372-00-PW	McHENRY	252	168
SB-7 SHEETS	CONTRACT NO.			63633	
FED. ROAD DIST. NO. 1 ILLINOIS FED. AID PROJECT					

DATE: 7/23/12

FILE NAME: 090071-FR02.dgn
PLOT DRIVER: pd02.plt
PLOT TABLE: standard.ctb