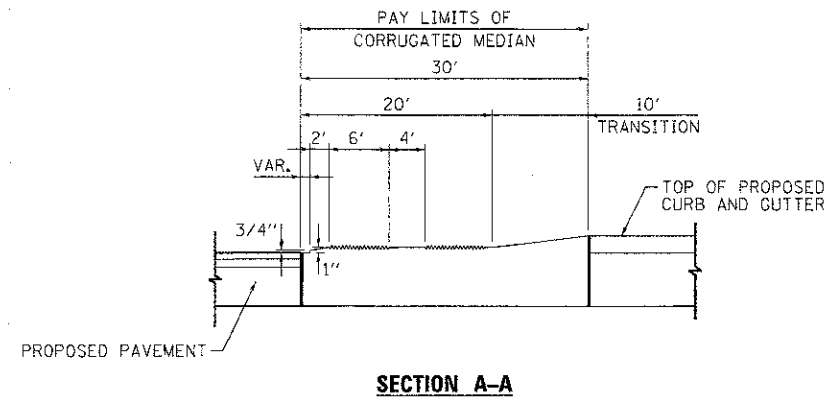


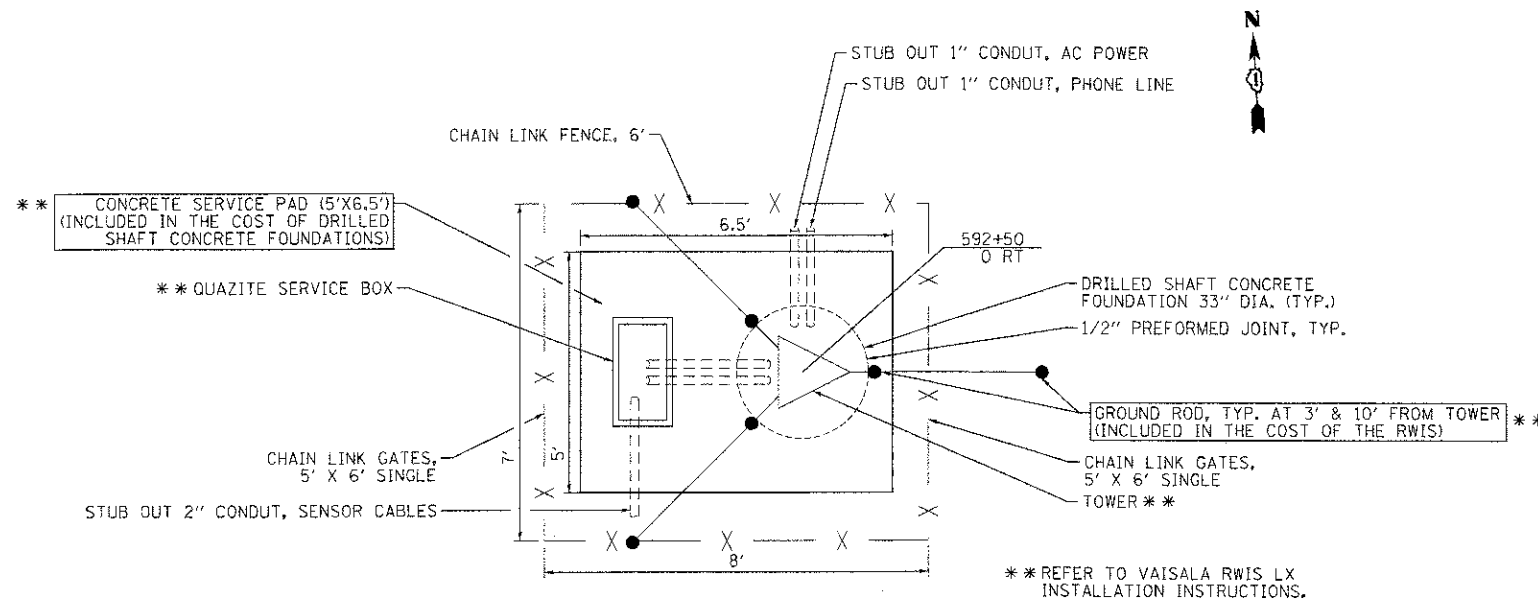
**CORRUGATED MEDIAN DETAIL**  
AT INTERSECTIONS

(NOTE: CORRUGATED MEDIAN SHALL BE CONSTRUCTED IN ACCORDANCE WITH THE LATEST VERSION OF IDOT HIGHWAY STANDARD 606306)



**SECTION A-A**

**ROADWAY WEATHER INFORMATION SYSTEM (RWIS)**



**SERVICE PAD INSTALLATION DETAIL**  
N.T.S.

1. CONTRACTOR SHALL PROCURE RWIS AS INDICATED IN THE CONTRACT SPECIAL PROVISIONS. CONTRACTOR SHALL INSTALL RWIS AS IN THE VAISALA INSTRUCTIONS. SITE CONTRACTOR SHALL PROVIDE BREAKER BOX WITH ALL COMPONENTS AS DETAILED ON VAISALA DRAWING DOC 220144. CONTRACTOR SHALL ALSO INSTALL ALL GROUNDING.
2. CONCRETE PAD AND CONCRETE TOWER BASE TO BE PAID FOR AS CONCRETE STRUCTURES. REINFORCEMENT SHALL BE PAID FOR AS WELDED WIRE FABRIC, OF THE SIZE SPECIFIED.
3. SEE SHEET 117 AND 135 FOR ADDITIONAL DETAILS.

**TOTAL BILL OF MATERIAL - RWIS**

ITEM	UNIT	QUANTITY
CHAIN LINK FENCE, 6'	FOOT	20
CHAIN LINK GATES, 5'X6' SINGLE	EACH	2
DRILLED SHAFT CONCRETE FOUNDATION	CU YD	4 *
UNDERGROUND CONDUIT, GALVANIZED STEEL 2" DIA.	FOOT	239
CONDUIT EMBEDDED IN STRUCTURE, 1" DIA., PVC	FOOT	700
UNIT DUCT, 600V, 2-1C NO. 10 (XLP-TYPE USE) 3/4" DIA. POLYETHYLENE	FOOT	750
ELECTRIC CABLE IN CONDUIT, 600V (XLP-TYPE USE) 1/C NO. 10	FOOT	1,400
WELDED WIRE FABRIC, 6X6	SQ YD	4 *
LIGHT POLE, ALUMINUM, 40 FT. M.H.	EACH	1
PROCUREMENT AND INSTALLATION OF RWIS	L SUM	1

\* CONTRACTOR TO SUBMIT FOUNDATION DESIGN PER THE RWIS (VAISALA) MANUFACTURER'S RECOMMENDATIONS AND SPECIFICATIONS TO THE ENGINEER & FOLLOW ALL APPLICABLE PROVISIONS OF ARTICLE 734 & ARTICLE 516 OF THE STANDARD SPECIFICATIONS FOR ROAD AND BRIDGE CONSTRUCTION IN ILLINOIS (2012 EDITION)

COMPANY NAME: HRGreen  
PROJECT CONTACT: HRGreen.com  
CLIENT: Illinois Professional Design Firm #184-001322  
DATE PLOTTED: 7/23/2012 1:42:19 PM  
FILE NAME: 090071-det-90.dgn  
PLOT DRIVER: pdf.plt  
PLOT TABLE: standard.trans.tbl



USER NAME = jettone	DESIGNED - JPA	REVISED -
FILE NAME = 090071-det-90.dgn	DRAWN - JPA	REVISED -
PLOT SCALE = N.T.S.	CHECKED - JLP	REVISED -
PLOT DATE = 7/23/2012	DATE - 7/23/12	REVISED -

**MCHENRY COUNTY**  
**DIVISION OF TRANSPORTATION**

**ROADWAY WEATHER INFORMATION SYSTEM (RWIS) AND CORRUGATED MEDIAN DETAIL - CHARLES J. MILLER ROAD ROADWAY IMPROVEMENTS**

SCALE: N.T.S. SHEET NO. 1 OF 1 SHEETS STA. TO STA.

F.A.U. RTE. 3860	SECTION 09-00372-00-PW	COUNTY MCHENRY	TOTAL SHEETS 252	SHEET NO. 190
FED. ROAD DIST. NO. ILLINOIS FED. AID PROJECT			CONTRACT NO. 63633	