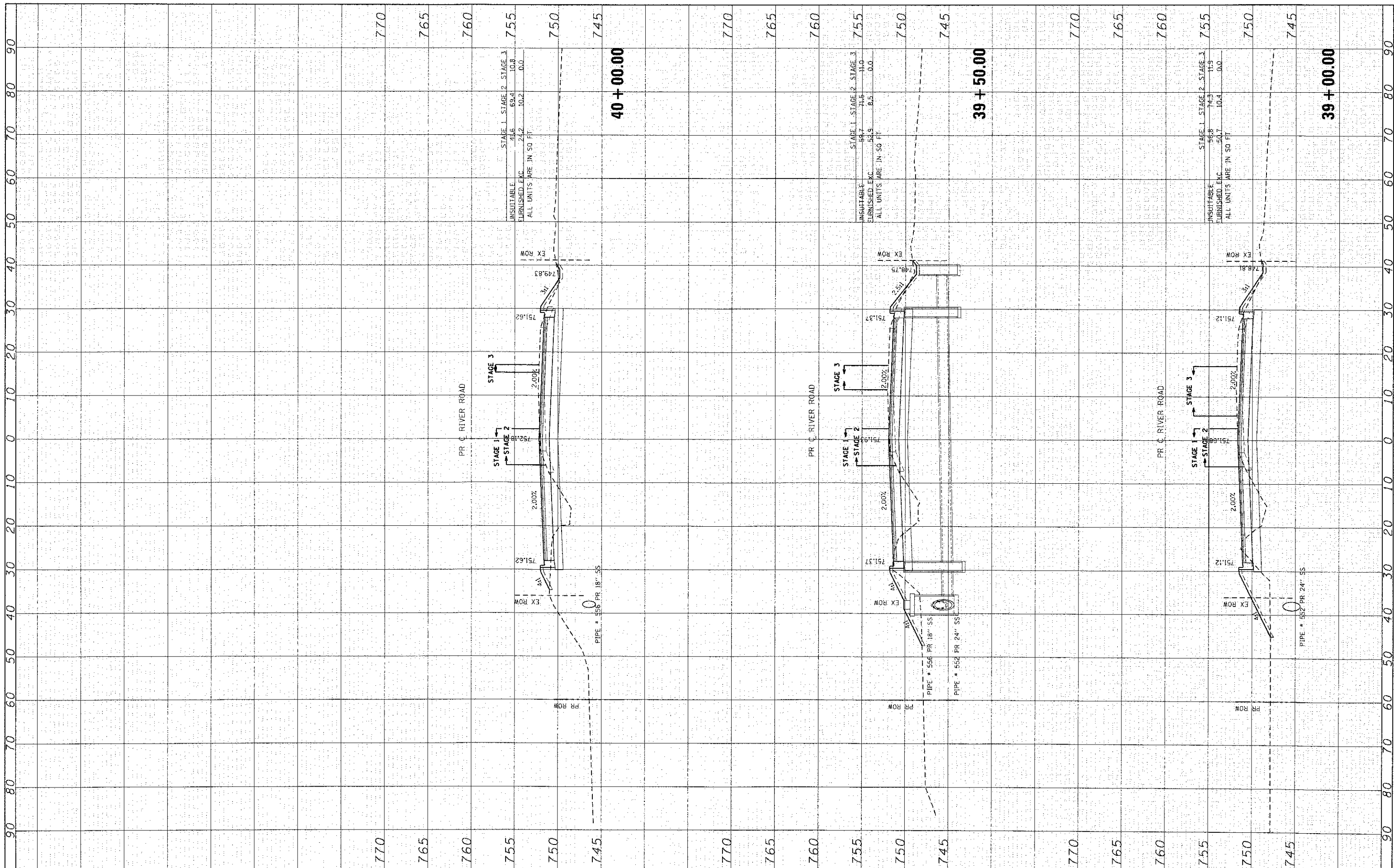


BY	DATE
SURVEYED	
PLOTTED	
TEMPLATE	
NOTE BOOK	
AREAS CHECKED	
NO.	

BY	DATE
SURVEYED	
PLOTTED	
TEMPLATE	
NOTE BOOK	
AREAS CHECKED	
NO.	



UNSATURABLE	STAGE 1	STAGE 2	STAGE 3
FURNISHED E.C.	10.6	10.8	10.8
ALL UNITS ARE IN SO FT	24.2	10.2	0.0

UNSATURABLE	STAGE 1	STAGE 2	STAGE 3
FURNISHED E.C.	11.6	11.6	11.6
ALL UNITS ARE IN SO FT	8.5	8.5	0.0

UNSATURABLE	STAGE 1	STAGE 2	STAGE 3
FURNISHED E.C.	10.4	10.4	10.4
ALL UNITS ARE IN SO FT	10.4	10.4	0.0

USER NAME = jottano	DESIGNED - CMH	REVISED -
PLOT SCALE = 1" = 10'	DRAWN - SVJ	REVISED -
PLOT DATE = 7/23/2012	CHECKED - JLP	REVISED -
	DATE - 5/29/12	REVISED -

**STATE OF ILLINOIS
 DEPARTMENT OF TRANSPORTATION**

**PROPOSED CROSS SECTIONS
 RIVER ROAD**

SCALE: 1" = 10' SHEET NO. 57 OF 62 SHEETS STA. 39+00.00 TO STA. 40+00.00

F.A. R.T.E. 3860	SECTION 09-00372-00-PW	COUNTY MCHENRY	TOTAL SHEETS 252	SHEET NO. 247
CONTRACT NO.			ILLINOIS FED. AID PROJECT 63633	