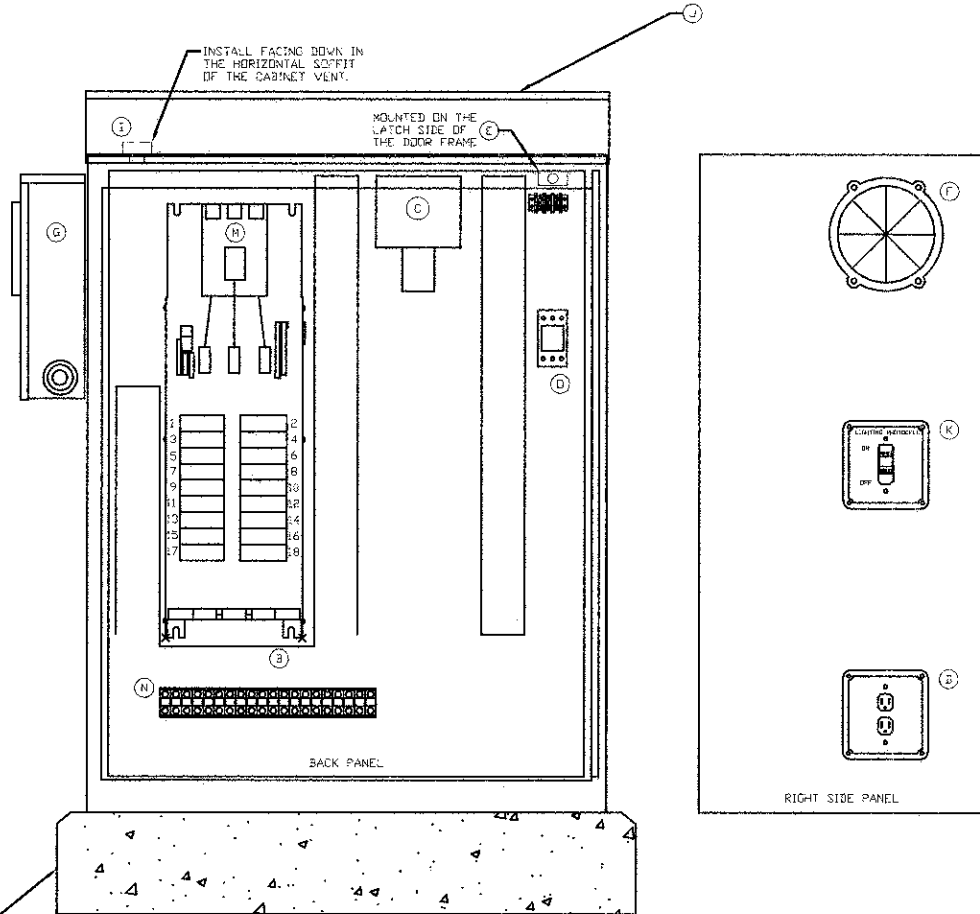
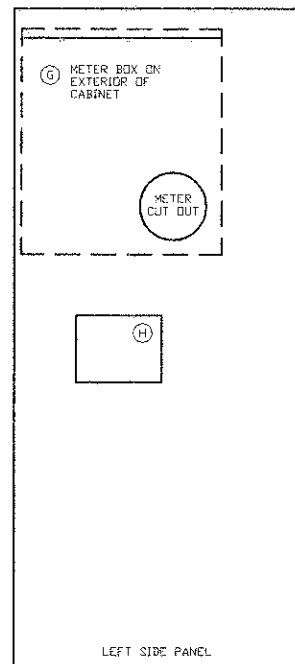


1 ONE LINE DIAGRAM CONTROLLER "C" NO SCALE

ONE-LINE DIAGRAM NOTES

- AIC RATINGS LISTED FOR EQUIPMENT ARE MINIMUM REQUIREMENTS FOR BUS BRACING AND DEVICE RATING. ALL EQUIPMENT SHALL BE FULLY RATED UNLESS SPECIFICALLY NOTED AS SERIES RATED.
- ALL FUSES FROM 0 AMPERE TO 200 AMPERE SHALL BE DUAL ELEMENT, CLASS RK-5 UNLESS NOTED OTHERWISE.



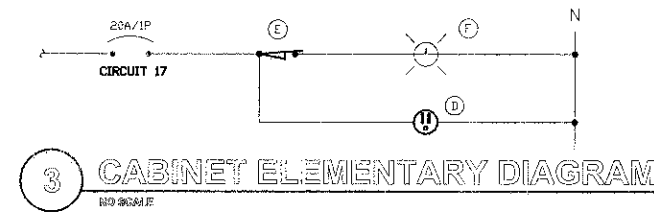
2 LIGHTING CONTROL CABINET NO SCALE U.L. LISTED IF NOT APPROVED

BILL OF MATERIALS FOR LIGHTING CONTROLLER "C"

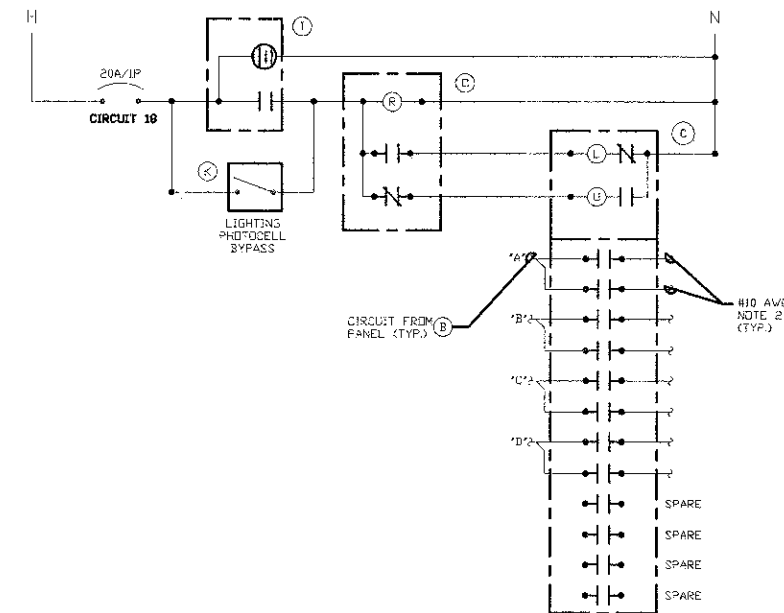
ITEM #	QTY	DESCRIPTION
B	1	BRANCH CIRCUIT PANEL INTERIOR, 200A COPPER BUS, 240/120 VOLT, MOLDED CASE THERMAL MAGNETIC CIRCUIT BREAKERS, BOLT ON TYPE, AIC RATING OF 65,000 AMPS AT 240 VOLTS.
C	1	MECHANICAL CONTACTOR, 12 POLE, 30 AMP, 120V COIL, PROVIDE WITH TWO-WIRE CONTROL FOR PHOTOCELL INTERFACE.
D	1	GFI RECEPTACLE 120V, 20A, SPECIFICATION GRADE, NEMA 5-20R IN WEATHER-PROOF BOX WITH FLAP-TYPE COVER.
E	1	20A SPDT MICRO SWITCH (MOUNT WITH ACTUATOR TO SWITCH WHEN DOOR OPENED), 120 VOLT, 15 AMP CONTACTS.
F	1	60 WATT LIGHT FIXTURE, VAPOR TIGHT WITH GLOBE AND GUARD AND MOUNTING BOX. LAMP PROVIDED WITH FIXTURE.
G	1	METER FITTING, 1 PHASE, 3 WIRE, 100 AMP
H	1	SURGE ARRESTOR, BRACKET MOUNTED, 120/240 VOLT SERVICE.
I	1	PHOTOCELL, 120V 1500 VA RATED, SINGLE POLE, SINGLE THROW CONTACT, WEATHERPROOF AND CORROSION PROOF ENCLOSURE, U.L. LISTED.
J	1	CABINET ENCLOSURE PAD MOUNTED, STAINLESS STEEL, N.E.M.A. 4 CONSTRUCTION WITH KEY LOCKING DOOR, 30"W. 45"H. 18"D.
K	1	TOGGLE SWITCH, SPDT, 20 AMP, 240 VOLT, SPECIFICATION GRADE MOUNTED IN SURFACE BOX.
M	1	MAIN CIRCUIT BREAKER, MOLDED CASE THERMAL MAGNETIC, SERVICE ENTRANCE DUTY RATED 240 VOLT, 100 AMP, 2 POLE, AIC RATING OF 65,000 AMPS AT 240 VOLTS, INTEGRAL TO BRANCH PANEL.
N	1	COPPER LOAD TERMINAL BLOCK FOR AWG#6 AND AWG#12
O	1	FORM TYPE C RELAY, ELECTRICALLY HELD, ONE NORMALLY OPEN (N.O.) AND ONE NORMALLY CLOSED (N.C.) CONTACTS, 600V CONTINUOUS DUTY COIL, 30 AMP CONTACT RATING.

CONTROLLER NOTES:

- THE CONTROLLER FOUNDATION SHALL HAVE ONE ADDITIONAL RACEWAY INSTALLED FOR FUTURE USE.
- THE CONTROL CABINET SHALL BE U.L. LISTED UNDER U.L. 508A.
- ALL EXTERNAL HARDWARE SHALL BE STAINLESS STEEL.
- THE ENCLOSURE SHALL BE VENTED. ONE INCH SCREENED VENT HOLES WILL BE PROVIDED IN THE OVER HANG.
- THE CABINET SHALL BE PROVIDED WITH A 3" X 12" STAINLESS NAMEPLATE, ENGRAVED TO READ "LIGHTING CONTROLLER."
- THE DOORS SHALL BE GASKETED PER SPECIFICATIONS. THE DOOR HANDLE SHALL BE 3/4" STAINLESS STEEL WITH KEY LOCK, AND HAVE A PROVISION FOR PADLOCKING
- THE MOUNTING PANEL SHALL BE 1/2 INCH ARBORON MATERIAL. EXPOSED BUS BARS SHALL BE INSULATED.
- CONNECTOR SCREWS SHALL BE PAINTED WHITE FOR THE NEUTRAL BUS AND GREEN FOR THE GROUNDING BUS.
- ALL MULTIPLE CONNECTIONS TO A SINGLE SOURCE WILL BE ACCOMPLISHED BY USE OF SPLICE BLOCKS OR MULTI CONNECTION LUGS.
- ALL LUGS SHALL BE OF COPPER SCREWS AND CONNECTORS, SPRING HELD.
- ALL WIRING TERMINATIONS SHALL BE RATED NOT LESS THAN 75 DEGREE CENTIGRADE.
- ALL DEVICES SHALL BE FRONT REMOVABLE.
- ALL WIRING WITHIN THE CABINET SHALL BE COLOR CODED USING THE FOLLOWING ABBREVIATIONS:
 R - RED Y - YELLOW
 B - BLACK W - WHITE
 BL - BLUE G - GREEN
- ALL CONTROL CABINET ITEMS SHALL HAVE SUITABLE IDENTIFICATION. OPEN CIRCUIT BREAKERS, CONTACTORS AND OTHER OPEN DEVICES SHALL HAVE PERMANENT SELF STICKING TAGS. DEVICES IN ENCLOSURES SHALL HAVE ENGRAVED 2-COLOR LAMINATED PLASTIC NAMEPLATES ATTACHED TO ENCLOSURES WITH SCREWS. NAMEPLATES SHALL BE ENGRAVED TO CORRESPOND TO DESIGNATIONS ON THE DRAWINGS. ALL CONTROL WIRING SHALL BE STRANDED AND IDENTIFIED, AS INDICATED OR AS DIRECTED BY THE ENGINEER, BY MEANS OF BRADY MARKERS.
- A LAMINATED COPY OF THE CIRCUIT SCHEMATIC DIAGRAM SHALL BE ATTACHED TO THE INSIDE OF THE CONTROLLER.
- SEALING GROMMETS SHALL BE PROVIDED FOR ALL OPEN WIRING EXTENDED FROM DEVICES IN BOXES OR CABINETS WITHIN THE CONTROL.
- ALL WIRING SHALL BE NEATLY DRESSED AND SUPPORTED.



3 CABINET ELEMENTARY DIAGRAM NO SCALE



4 LIGHTING CONTROL ELEMENTARY DIAGRAM NO SCALE

- NOTES:
- ALL CABINET INTERIOR WIRING SHALL BE STRANDED COPPER #12 AWG THWN UNLESS NOTED OTHERWISE.
 - ROUTE TO STREET LIGHTING LUMINAIRES VIA TERMINAL BLOCK (N).

PANEL NAME: CONTROLLER "C" CONNECTED 9.4 KVA

TYPE: BOLT-ON
 MOUNTING: SURFACE - INTERIOR ONLY
 FED FROM: UTILITY
 AIC RATING: 65,000

SOLID NEUTRAL
 GROUND BUS

MAIN: 100A MCB
 VOLTS: 240/120
 PHASE: 1
 WIRE: 3

CKT NO.	LOAD DESCRIPTION	WIRE SIZE	LOAD KVA	BREAKER AMP	BREAKER P	LOAD KVA	WIRE SIZE	LOAD DESCRIPTION	CKT NO.
1	"A" POLE LIGHTING	*S	3.6	30	2	3.6	*S	"C" POLE LIGHTING	2
3	"A" POLE LIGHTING	---	---	---	---	---	---	"C" POLE LIGHTING	4
5	"B" POLE LIGHTING	*S	3.6	30	2	3.6	*S	"D" POLE LIGHTING	6
7	"B" POLE LIGHTING	---	---	---	---	---	---	"D" POLE LIGHTING	8
9	SURGE ARRESTOR	*O	0.1	30	2	30	---	SPARE	10
11	SURGE ARRESTOR	---	---	---	---	---	---	SPARE	12
13	SPACE	---	---	---	---	---	---	SPACE	14
15	SPACE	---	---	---	---	---	---	SPACE	16
17	LGT. RECEPT. IN CABINET	---	---	---	---	---	---	LGT CONTROL	18

NOTES: *S = REFER TO WIRING DIAGRAM FOR WIRE SIZE. *O = REFER TO ONE LINE DIAGRAM ON THIS SHEET FOR WIRE SIZE.