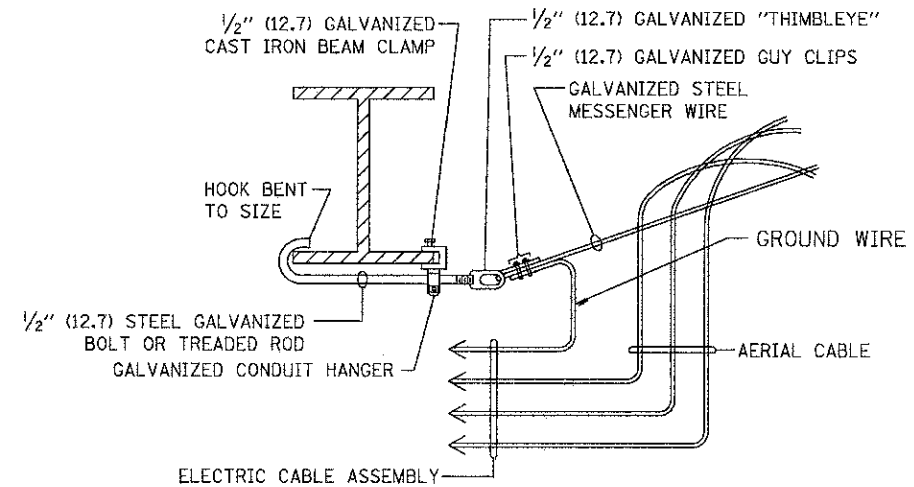


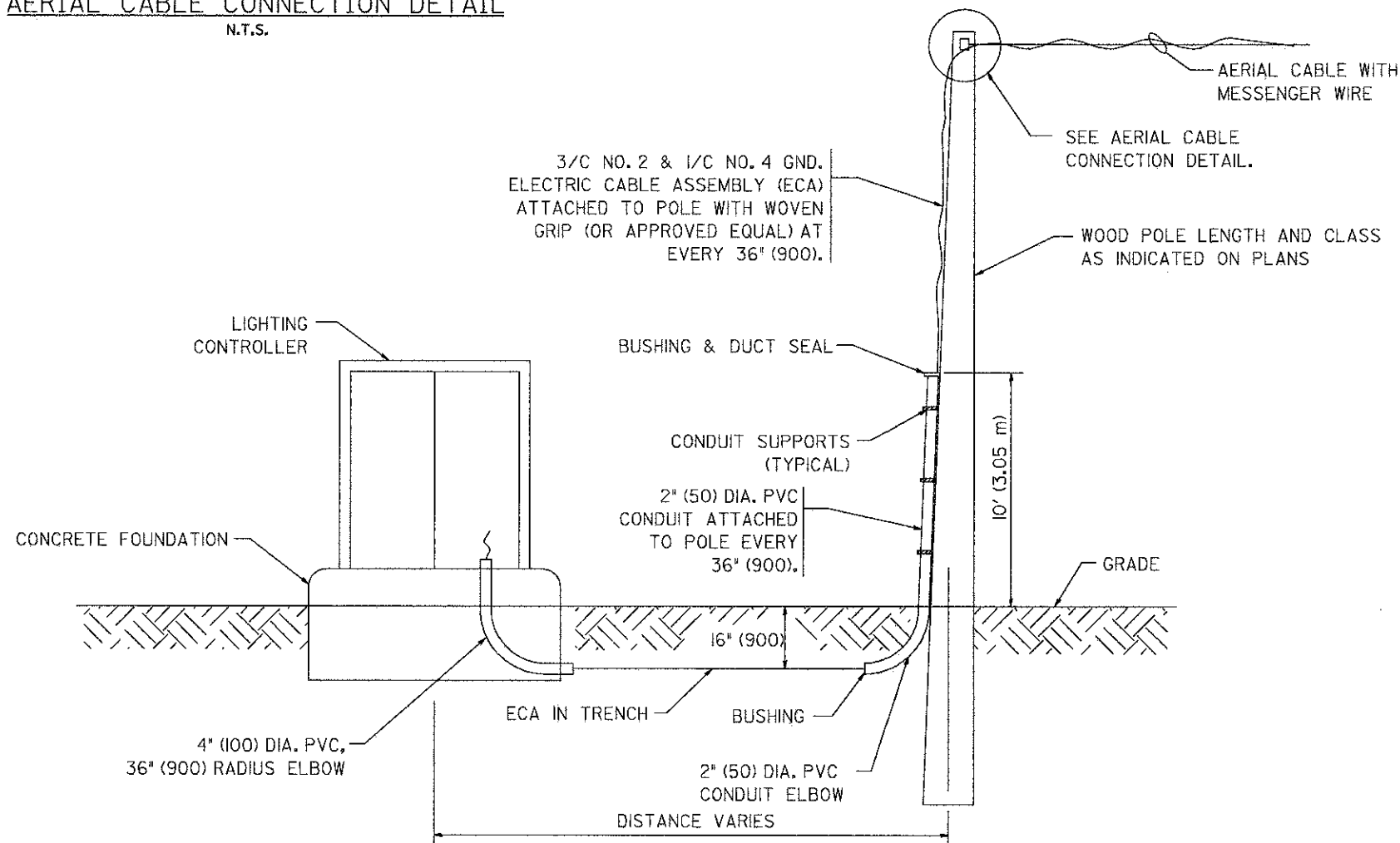
**AERIAL CABLE CONNECTION DETAIL**  
N.T.S.



**AERIAL CABLE ATTACHED TO STRUCTURE**  
NOT TO SCALE

**NOTES:**

1. ALL DIMENSIONS IN INCHES (MILLIMETERS) UNLESS OTHERWISE INDICATED.
2. SEE PROPOSED LIGHTING PLAN FOR CONDUIT, CABLE AND ROUTING.
3. THE CONTRACTOR SHALL PROVIDE INTERMEDIATE SUPPORTS TO MAINTAIN MINIMUM CLEARANCES. REFER TO AERIAL AERIAL CABLE ATTACHED TO STRUCTURE DETAIL.
4. COST OF SPLICES AND MOUNTING HARDWARE SHALL BE INCLUDED IN THE UNIT PRICE FOR AERIAL CABLE.



**WOOD POLE TO LIGHTING CONTROLLER WIRING CONNECTION DETAIL**  
N.T.S.

FILE NAME = 4459.000-EL2.dwg	USER NAME = ZACH WALLSTEN	DESIGNED -	REVISED - 08-08-03	<b>STATE OF ILLINOIS DEPARTMENT OF TRANSPORTATION</b>	<b>TEMPORARY AERIAL CABLE INSTALLATION</b>			F.A.P. RITE 527	SECTION 08-00369-00-SP	COUNTY KANE	TOTAL SHEETS 67	SHEET NO. 51			
PLOT SCALE = 1" = .0633'								SCALE: N.A.	SHEET NO.	OF SHEETS	STA.	TO STA.	<b>BE-801</b>		
PLOT DATE = 3/21/2012											CONTRACT #: 63669			FED. ROAD DIST. NO. 1   ILLINOIS FED. AID PROJECT	

GHA #4459.000