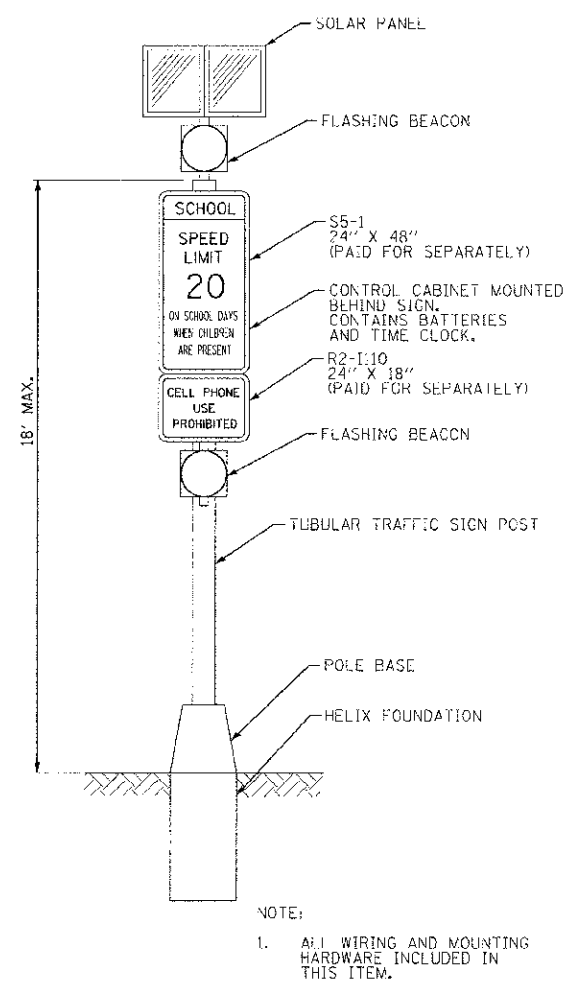
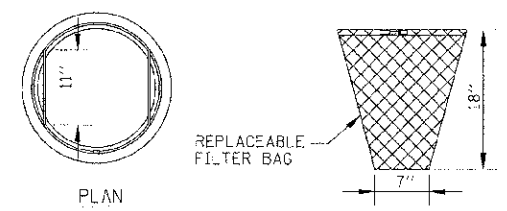


**DRIVEWAYS**



**SOLAR-POWERED FLASHING BEACON ASSEMBLY (COMPLETE) DETAIL**

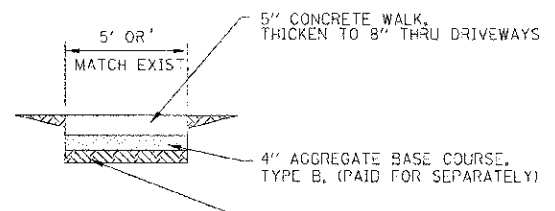
NOTE:  
1. ALL WIRING AND MOUNTING HARDWARE INCLUDED IN THIS ITEM.



**GENERAL NOTES:**

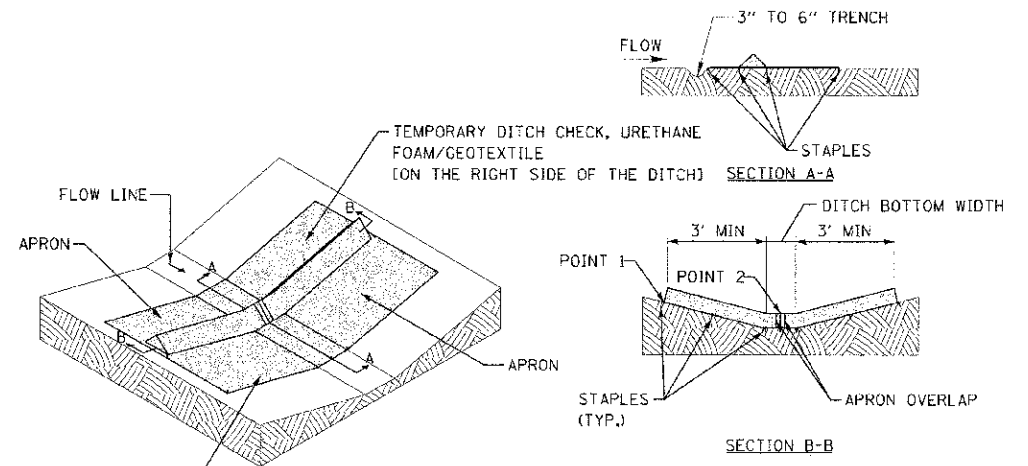
FRAME: TOP RING CONSTRUCTED FROM 1 1/4" x 1 1/4" x 1/8" ANGLE. BASE RING CONSTRUCTED OF 1 1/2" x 1/2" x 1/8" CHANNEL. HANDLES & SUSPENSION BRACKETS CONSTRUCTED FROM 1/4" x 1 1/4" FLAT. ALL STEEL CONFORMING TO ASTM-A36.  
REPLACEABLE BAG: CONSTRUCTED FROM 4 OZ./SQ. YD. NON-WOVEN POLYPROPYLENE GEOTEXTILE REINFORCED WITH POLYESTER MESH. CONNECTED TO BASE RING WITH STAINLESS STEEL STRAP & LOCK.

**INLET FILTER**



NOTE: PROVIDE FIBER EXPANSION JOINTS WHERE NEW SIDEWALK MEETS EXISTING AND @ 50' O.C. MAX. AND PROVIDE CONTROL JOINTS @ 5' O.C.

**PORTLAND CEMENT CONCRETE SIDEWALK 5 INCH**



**TEMPORARY DITCH CHECKS**

NOTES:  
1. THE INSTALLATION SHOWN ABOVE WILL BE MEASURED FOR PAYMENT IN FEET PERPENDICULAR TO THE FLOW LINE.

6/25/12 6:20 AM ST. BALDUCCI & WOODMAN, INC. C:\Users\jrbalducci\Desktop\110881-TCM-MISC-Detailed.sht  
 6/25/12 6:20 AM ST. BALDUCCI & WOODMAN, INC. C:\Users\jrbalducci\Desktop\110881-TCM-MISC-Detailed.sht  
 6/25/12 6:20 AM ST. BALDUCCI & WOODMAN, INC. C:\Users\jrbalducci\Desktop\110881-TCM-MISC-Detailed.sht



DESIGNED - MWP	REVISED - 1007/CC-10 REVIEW 06-25-12
DRAWN - RKM	REVISED - 1007/CC-10 REVIEW 07-12-12
CHECKED - JJF	REVISED -
DATE - 06-25-12	FILE - 110881-TCM-MISC-Detailed.sht

**CITY OF PROSPECT HEIGHTS, ILLINOIS  
SCHOENBECK ROAD  
SAFE ROUTES TO SCHOOLS**

**MISCELLANEOUS DETAILS**

SCALE: NONE	STA. TO STA.	F.A.J. RTE. 12-00045-00-SW 0-91-505-12 CONTRACT NO. 63731	TOTAL SHEETS: 19 SHEET NO. 27
-------------	--------------	---	----------------------------------