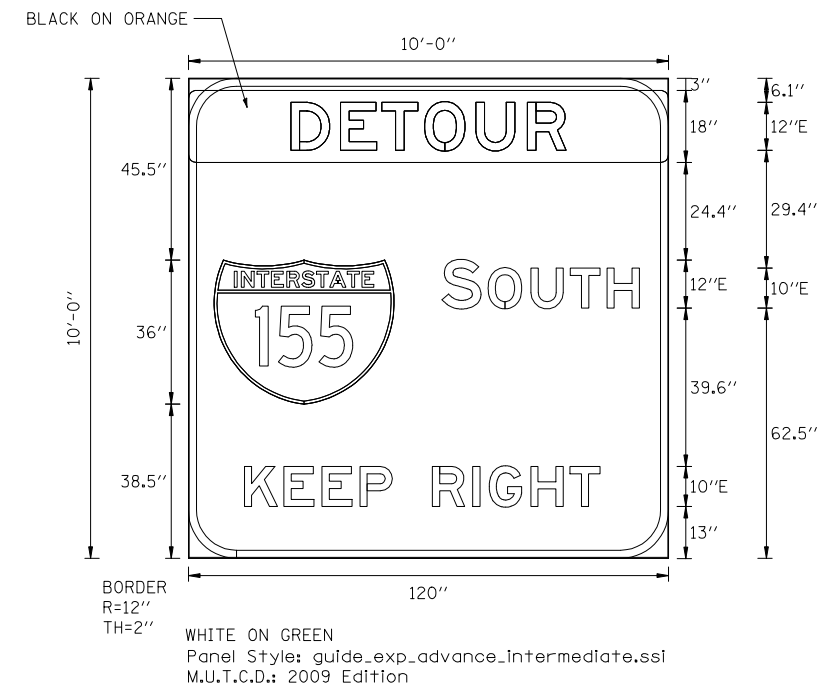


SIGN 3DE.02
SIGN 6DE.04



SIGN 3DG.01 SIGN 5DG.02
SIGN 3DG.02 SIGN 7DG.02

FILE NAME =	DESIGNED - HTL	REVISED -		STATE OF ILLINOIS DEPARTMENT OF TRANSPORTATION	MAINTENANCE OF TRAFFIC SIGN DETAILS	F.A.I. RTE.	SECTION	COUNTY	TOTAL SHEETS	SHEET NO.
D468620-shit-sign08-gndgn	DRAWN - HTL	REVISED -				90-[14R(14HB-4,14,14HB)BR]	TAZEWELL	2433	265	
USER NAME = TERRA	CHECKED - DA/LVA	REVISED -				CONTRACT NO. 68620				
PLOT DATE = 7/16/2012	DATE - 7/20/2012	REVISED -				ILLINOIS FED. AID PROJECT				
SCALE:						SHEET NO. 6 OF 14 SHEETS	STA.	TO STA.		